

STANDARD CONSTRUCTION
BODY:

26 GAUGE GALVANIZED STEEL SHEET
1" UNIVERSAL FLANGE

OPTIONS:

CUSTOM SIZES AVAILABLE

STANDARD SIZES:

| MODEL | WIDTH (W) | DEPTH (D) | HEIGHT (H) | COLLAR DIAMETER (CD) | FILTER SIZE |
|------------|-----------|-----------|------------|----------------------|----------------|
| MHRF122012 | 12" | 20" | 9 1/4" | 12" | 10" x 20" x 1" |
| MHRF142012 | 14" | 20" | 9 1/4" | 12" | 10" x 20" x 1" |
| MHRF142014 | 14" | 20" | 9 1/4" | 14" | 10" x 20" x 1" |

FEATURES:

26 GAUGE GALVANIZED STEEL PROVIDES EXCELLENT CORROSION RESISTANCE AND LONGEVITY.

FILTER RACK FACTORY INSTALLED.

COLLARS SEALED WITH UL APPROVED SEALANT.

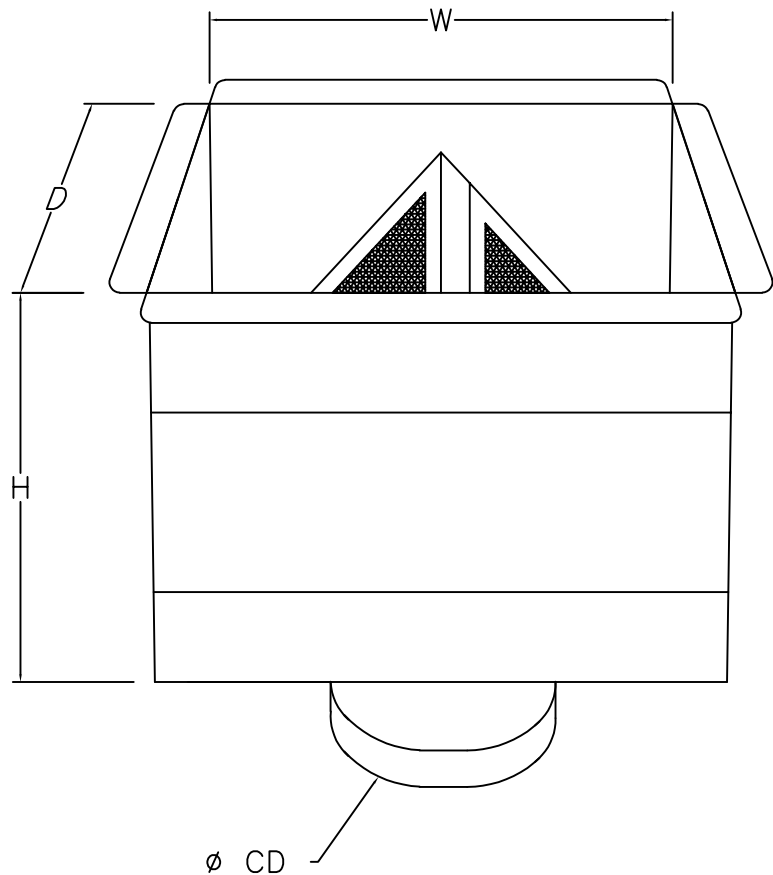
BOX OPENING 1/4" OVERSIZED TO ACCOMMODATE REGISTER/GRILLE.

FLANGED BASE PROVIDES A SOLID FASTENING SURFACE.

LONG GALVANIZED COLLAR ALLOWS FOR AN EASY UNION TO OTHER COMPONENTS.

FILTER RACK ALLOWS FOR OVERLAP TO ENSURE A BETTER SEAL.

FILTER NOT INCLUDED.



| |
|---|
| JOB NAME: |
| LOCATION: |
| ARCHITECT: |
| ENGINEER: |
| CONTRACTOR: |
| <p>CONTACT MIAMI TECH INC. FOR ADDITIONAL INFORMATION OR WITH SPECIAL REQUIREMENTS.</p> <p>3611 NW 74TH ST MIAMI, FL 33147 PHONE: 305-693-7054 FAX: 305-693-6152</p> <p>WEB: WWW.MIAMITECH.COM EMAIL: SALES@MIAMITECH.COM</p> |

MHRF

MOBILE HOME RETURN BOX W/ FILTER
PRODUCT SPECIFICATIONS

NOTE: ALL DRAWINGS SUBJECT TO CHANGE WITHOUT PRIOR NOTICE.

| | | | | | |
|-------------|----|-------|---------|-----------|--------------|
| DRAWN BY: | MR | DATE: | 3/18/24 | SCALE: | NOT TO SCALE |
| CHECKED BY: | IG | DATE: | 3/18/24 | REVISION: | - |

DRAWING NO.
MHRF