



STANDARD CONSTRUCTION

MATERIAL:
26 GAUGE ASTM A-653 HOT-DIPPED GALVANIZED
STEEL SHEET

STANDARD SIZES:

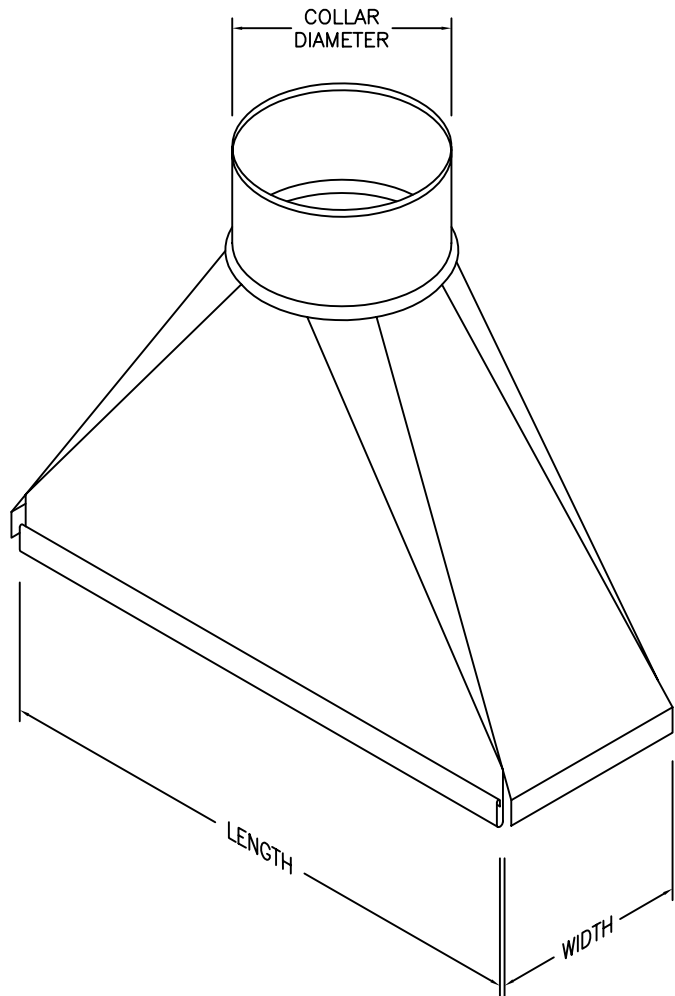
MODEL	LENGTH	WIDTH	DIAMETER	GAUGE	QTY.
WSST10	10"	3 1/4"	4" - 8"	26	1
WSST12	12"	3 1/4"	4" - 8"	26	1
WSST14	14"	3 1/4"	4" - 8"	26	1

FEATURES

GALVANIZED STEEL PROVIDES EXCELLENT CORROSION
RESISTANCE AND LONGEVITY.

VARIOUS OUTLET PIPE SIZES AVAILABLE.
(PLEASE SPECIFY 4", 5", 6", 7" OR 8")

OPTIONS: CUSTOM SIZES AVAILABLE.



JOB NAME:
LOCATION:
ARCHITECT:
ENGINEER:
CONTRACTOR:
CONTACT MIAMI TECH INC. FOR ADDITIONAL INFORMATION OR WITH SPECIAL REQUIREMENTS. 3611 NW 74TH ST MIAMI, FL 33147 PHONE: 305-693-7054 FAX: 305-693-6152 WEB: WWW.MIAMITECH.COM EMAIL: SALES@MIAMITECH.COM

WSST

WALL STACK STRAIGHT TRANSITION
PRODUCT SPECIFICATIONS

NOTE: ALL DRAWINGS SUBJECT TO CHANGE WITHOUT PRIOR NOTICE.



DRAWN BY: AF	DATE: 10/31/07	SCALE: NOT TO SCALE
CHECKED BY: IG	DATE: 10/31/07	REVISION: 1

DRAWING NO.
WSST