



PARTS:

- 1. CURTAIN TYPE, STAINLESS STEEL
(22 GAUGE ASTM A-653 HOT-DIPPED GALVANIZED STEEL SHEET)
- 2. UL LISTED FUSIBLE LINK
(165°F STANDARD, 212°F OPTIONAL)
- 3. FRAME
(16 GAUGE ASTM A-653 HOT-DIPPED GALVANIZED STEEL SHEET)
- 4. LOCK ASSEMBLY
- 5. MAIN CURTAIN STAY

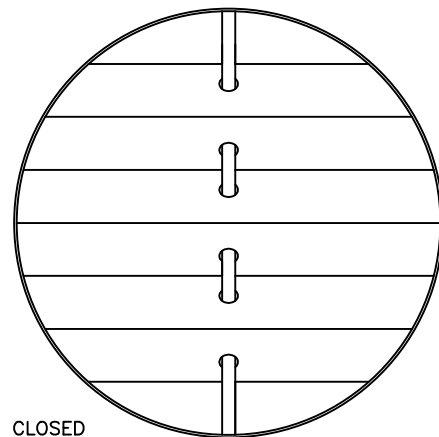
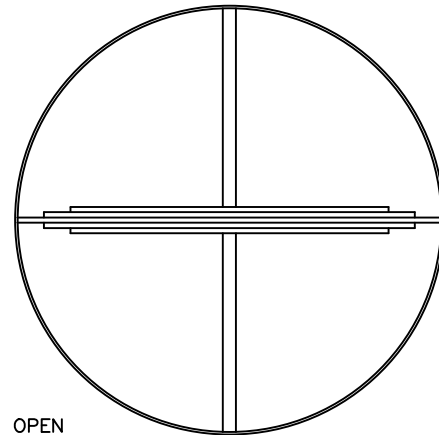
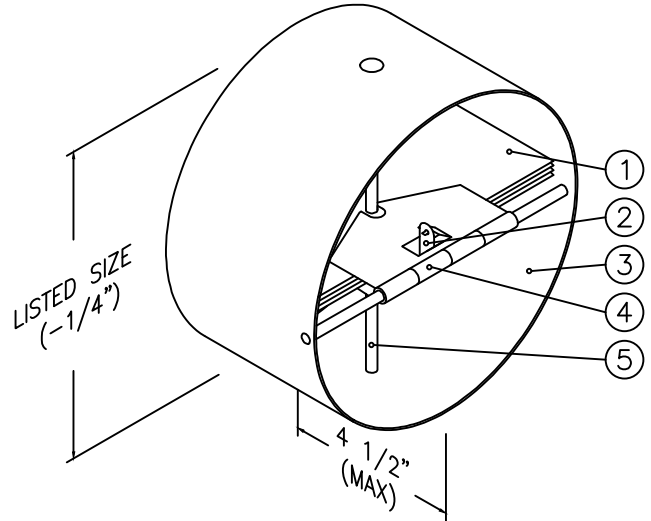
FEATURES:

MEETS ALL UL AND NFPA REQUIREMENTS FOR PRIMARY FIRE DAMPERS. APPROVED FOR USE WHERE DUCTS PENETRATE PARTITIONS WITH FIRE RESISTANCE RATINGS OF TWO HOURS OR LESS.

ONE PIECE STAINLESS STEEL CURTAIN FOR VERTICAL OR HORIZONTAL INSTALLATION.

1 1/2 HOUR RATING, FOR USE IN FIRE BARRIERS RATED FOR 2 HOURS OR LESS.

4" - 14" DIAMETER IN 1" INCREMENTS.



JOB NAME:
LOCATION:
ARCHITECT:
ENGINEER:
CONTRACTOR:
CONTACT MIAMI TECH INC. FOR ADDITIONAL INFORMATION OR WITH SPECIAL REQUIREMENTS. 3611 NW 74TH ST MIAMI, FL 33147 PHONE: 305-693-7054 FAX: 305-693-6152 WEB: WWW.MIAMITECH.COM EMAIL: SALES@MIAMITECH.COM

US-3

HORIZONTAL/VERTICAL CURTAIN TYPE FIRE DAMPER
1 1/2 HOURS, DYNAMICALLY RATED
PRODUCT SPECIFICATIONS

NOTE: ALL DRAWINGS SUBJECT TO CHANGE WITHOUT PRIOR NOTICE.



DRAWN BY: AF	DATE: 11/12/07	SCALE: NOT TO SCALE	DRAWING NO.
CHECKED BY: IG	DATE: 05/27/16	REVISION: 5	US-3