

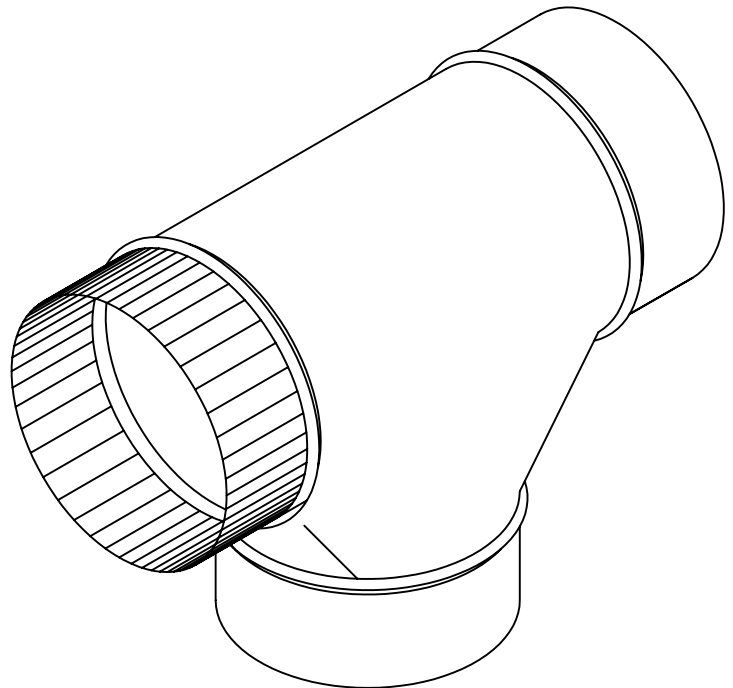


STANDARD CONSTRUCTION

MATERIAL:
24/26/28/30 GAUGE ASTM A-653 HOT-DIPPED GALVANIZED STEEL SHEET

STANDARD SIZES:

MODEL	SIZE	GAUGE	BOX QTY.
TEE3	3" X 3" X 3"	30	15
TEE4	4" X 4" X 4"	30	15
TEE5	5" X 5" X 5"	30	15
TEE6	6" X 6" X 6"	30	15
TEE7	7" X 7" X 7"	30	15
TEE8	8" X 8" X 8"	30	1
TEE9	9" X 9" X 9"	28	1
TEE10	10" X 10" X 10"	28	1
TEE12	12" X 12" X 12"	28	1
TEE14	14" X 14" X 14"	26	1
TEE16	16" X 16" X 16"	26	1
TEE18	18" X 18" X 18"	26	1
TEE20	20" X 20" X 20"	24	1
TEE24	24" X 24" X 24"	24	1



FEATURES

GALVANIZED STEEL PROVIDES EXCELLENT CORROSION RESISTANCE AND LONGEVITY.

LISTED UL181: CLASS 0 AIR DUCT.

MEETS NFPA BULLETIN 90-A REQUIREMENTS.

NOT FOR USE AS A RANGE HOOD DUCT.

OPTION: CUSTOM SIZES AVAILABLE.

JOB NAME:
LOCATION:
ARCHITECT:
ENGINEER:
CONTRACTOR:
CONTACT MIAMI TECH INC. FOR ADDITIONAL INFORMATION OR WITH SPECIAL REQUIREMENTS. 3611 NW 74TH ST MIAMI, FL 33147 PHONE: 305-693-7054 FAX: 305-693-6152 WEB: WWW.MIAMITECH.COM EMAIL: SALES@MIAMITECH.COM

TEE

METAL TEE
PRODUCT SPECIFICATIONS

NOTE: ALL DRAWINGS SUBJECT TO CHANGE WITHOUT PRIOR NOTICE.



DRAWN BY: AF	DATE: 10/16/07	SCALE: NOT TO SCALE	DRAWING NO.
CHECKED BY: IG	DATE: 10/16/07	REVISION: 1	TEE