



STANDARD CONSTRUCTION

MATERIAL:
26 GAUGE ASTM A-653 HOT-DIPPED GALVANIZED STEEL SHEET

CONSTRUCTION:
MECHANICALLY RIVETED / STITCH WELDED

FEATURES

GALVANIZED STEEL PROVIDES EXCELLENT CORROSION RESISTANCE AND LONGEVITY.

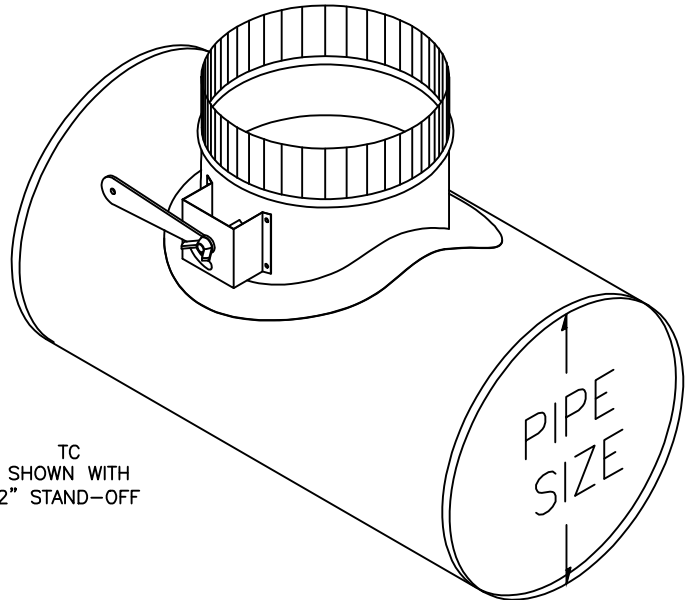
FLANGE FABRICATED TO ENSURE SOLID CONNECTION.

CLAMP BAND AND PIPE CRIMP FACILITATE QUICK AND SECURE FIELD INSTALLATION.

OPTIONS: CUSTOM SIZES AVAILABLE.
2" STAND-OFF (TC-SO)

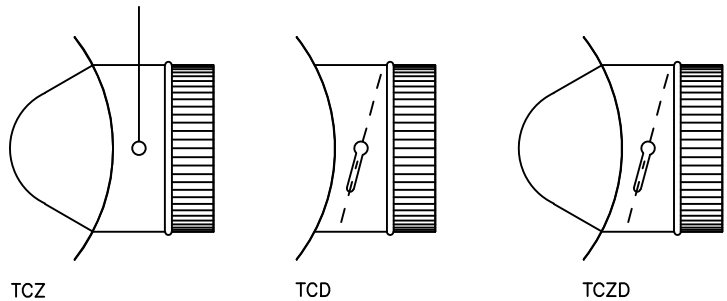
STANDARD SIZES:

PLAIN	W/ SCLOOP	W/ DAMPER	W/ SCOOP AND DAMPER	GAUGE	SIZE	PIPE SIZE	QTY.
TC4	TCZ4	TCD4	TCZD4	26	4"	6"-8"	1
TC5	TCZ5	TCD5	TCZD5	26	5"	7"-9"	1
TC6	TCZ6	TCD6	TCZD6	26	6"	8"-10"	1
TC7	TCZ7	TCD7	TCZD7	26	7"	9"-11"	1
TC8	TCZ8	TCD8	TCZD8	26	8"	10"-12"	1
TC10	TCZ10	TCD10	TCZD10	26	10"	12"-14"	1
TC12	TCZ12	TCD12	TCZD12	26	12"	14"-16"	1
TC14	TCZ14	TCD14	TCZD14	26	14"	16"-18"	1
TC16	TCZ16	TCD16	TCZD16	26	16"	18"-22"	1
TC18	TCZ18	TCD18	TCZD18	26	18"	20"-24"	1
TC20	TCZ20	TCD20	TCZD20	26	20"	22"-26"	1



JOB NAME:
LOCATION:
ARCHITECT:
ENGINEER:
CONTRACTOR:
CONTACT MIAMI TECH INC. FOR ADDITIONAL INFORMATION OR WITH SPECIAL REQUIREMENTS. 3611 NW 74TH ST MIAMI, FL 33147 PHONE: 305-693-7054 FAX: 305-693-6152 WEB: WWW.MIAMITECH.COM EMAIL: SALES@MIAMITECH.COM

MOUNTING HOLES FOR OPTIONAL DAMPER



TC

TAKE OFF COLLAR
PRODUCT SPECIFICATIONS



DRAWN BY: AF	DATE: 10/10/07	SCALE: NOT TO SCALE	DRAWING NO. TC
CHECKED BY: IG	DATE: 4/10/12	REVISION: 2	

NOTE: ALL DRAWINGS SUBJECT TO CHANGE WITHOUT PRIOR NOTICE.