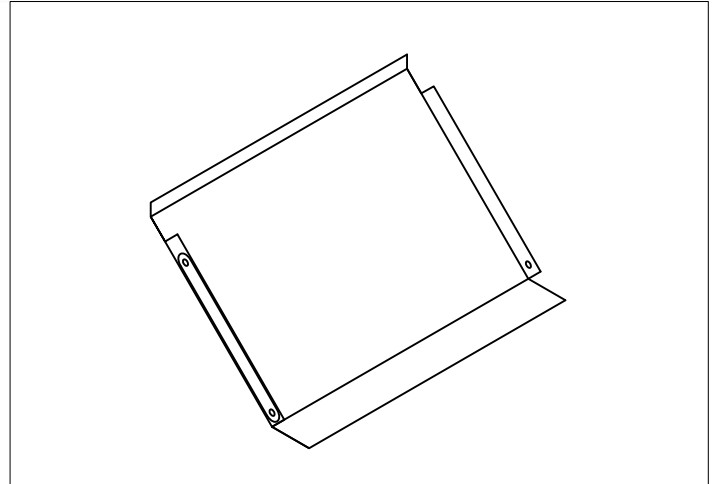
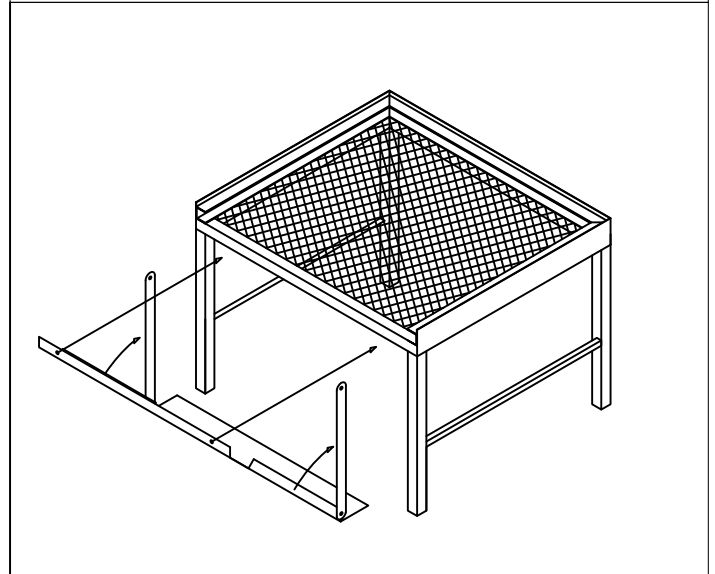


TASSBK - TRANE/AMERICAN STANDARD SOUND Baffle KIT COMES PACKAGED FLAT IN A BOX, WITH (4) #10 SELF-TAPPING SMS FOR INSTALLATION TO TAsB FAMILY OF AIR HANDLER STANDS.

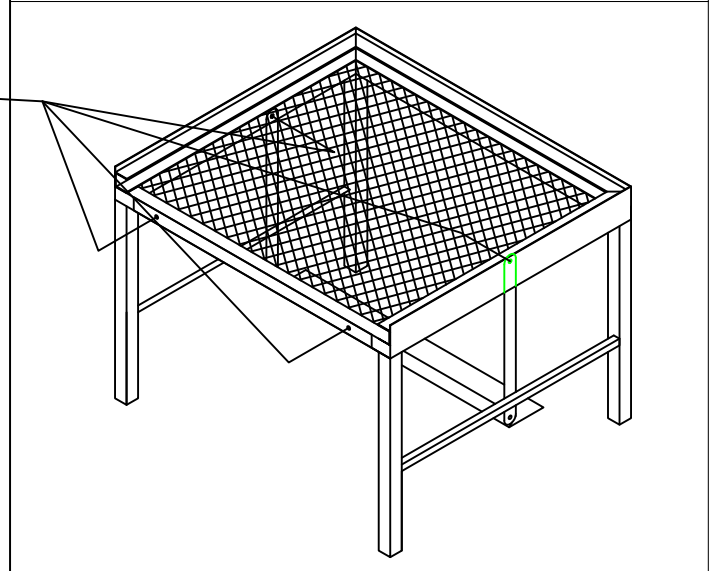


FOLD OUT THE SIDE ARMS PARALLEL TO LEGS AND POSITION THE KIT UNDERNEATH THE AIR HANDLER STAND.



AFFIX TO STAND WITH PROVIDED #10 SELF-TAPPING SMS. SCREW TWO THROUGH THE FRONT PANEL, AND ONE THROUGH EACH SIDE ARM ON THE UNDERSIDE OF THE STAND.

*MAKE SURE THE UPPER EDGE OF THE SOUND DEFLECTOR DOES NOT INTERFERE WITH THE INSTALLATION OR REMOVAL OF THE FILTER.



TASSBK

TRANE/AMERICAN STANDARD AIR HANDLER STAND
SOUND Baffle KIT
INSTALLATION INSTRUCTIONS

NOTE: ALL DRAWINGS SUBJECT TO CHANGE WITHOUT PRIOR NOTICE.

DRAWN BY: AV	DATE: 11/2/11	SCALE: NOT TO SCALE	DRAWING NO.:
CHECKED BY: IV	DATE:	REVISION: A	TASSBK