



STANDARD CONSTRUCTION

BODY:
26 GAUGE ASTM A-653 HOT-DIPPED
GALVANIZED STEEL SHEET

STANDARD SIZES:

MODEL	DIAMETER	VENT WIDTH (W)	VENT DEPTH (D)	TUBE LENGTH (L)	QTY
SWC3	3"	4 5/16"	3"	10 1/2"	1
SWC4	4"	4 5/16"	3"	10 1/2"	1
SWC5	5"	6 5/16"	4 1/2"	10 1/2"	1
SWC6	6"	6 5/16"	4 1/2"	10 1/2"	1
SWC7	7"	8 5/16"	6"	10 1/2"	1
SWC8	8"	8 5/16"	6"	10 1/2"	1
SWC9	9"	10 5/16"	7 1/2"	10 1/2"	1
SWC10	10"	10 5/16"	7 1/2"	10 1/2"	1
SWC12	12"	12 5/16"	9 1/4"	10 1/2"	1

FEATURES

26 GAUGE GALVANIZED STEEL PROVIDES EXCELLENT CORROSION RESISTANCE AND LONGEVITY. ALSO AVAILABLE IN ALUMINUM (MODEL ASWC).

BACKDRAFT DAMPER OR EXPANDED METAL SCREEN AVAILABLE. (SWC CAN BE ORDERED WITH BOTH OPTIONS ON A SINGLE UNIT.)

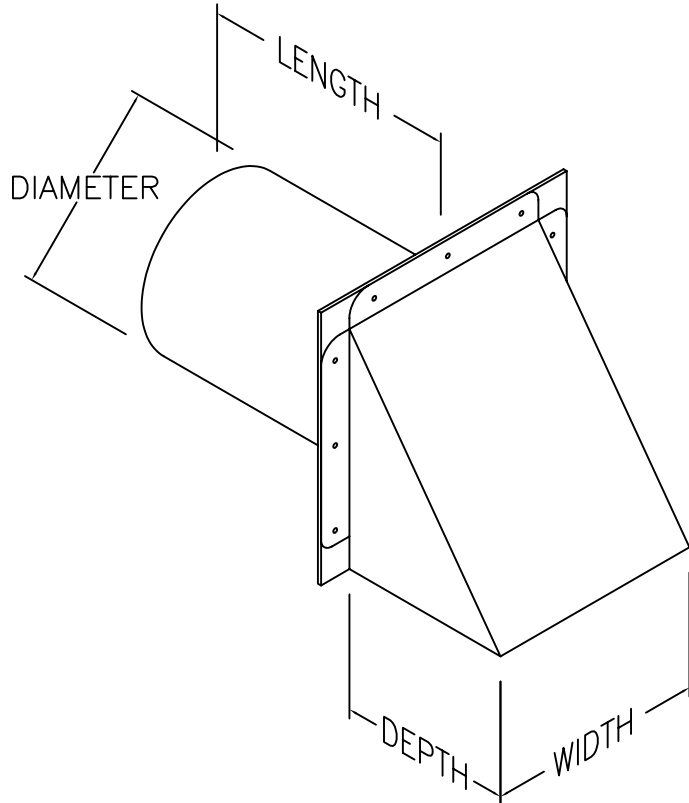
DISCHARGE HOOD AREA EQUAL OR GREATER THAN INLET PIPE AREA.

STITCH WELDED INLET PIPE.

FLANGED BASE PROVIDES FOR GOOD VENT-TO-WALL CONTACT AND AN EASY CAULKING SURFACE.

LONG GALVANIZED NECK ALLOWS FOR EASY UNION THROUGH WALLS TO INTERIOR DUCTS.

- OPTIONS:
- EXPANDED METAL SCREEN
 - BACKDRAFT DAMPER
 - TWIN SIDE WALL CAP (SWCT)
 - ALUMINIUM CONSTRUCTION (ASWC)



JOB NAME:
LOCATION:
ARCHITECT:
ENGINEER:
CONTRACTOR:
CONTACT MIAMI TECH INC. FOR ADDITIONAL INFORMATION OR WITH SPECIAL REQUIREMENTS.
3611 NW 74TH ST MIAMI, FL 33147 PHONE: 305-693-7054 FAX: 305-693-6152
WEB: WWW.MIAMITECH.COM EMAIL: SALES@MIAMITECH.COM

NOTE: DISCHARGE OPENING DIMENSIONS SHOWN.

SWC

SIDE WALL CAP
PRODUCT SPECIFICATIONS

NOTE: ALL DRAWINGS SUBJECT TO CHANGE WITHOUT PRIOR NOTICE.



DRAWN BY: AF	DATE: 10/16/07	SCALE: NOT TO SCALE	DRAWING NO. SWC
CHECKED BY: IG	DATE: 9/29/09	REVISION: C	