



**STANDARD CONSTRUCTION**

**BODY:**  
26 GAUGE G-90 GALVANIZED STEEL SHEET  
UNIVERSAL FLANGE

**OPTIONS:**  
CUSTOM SIZES AVAILABLE  
DAMPER AVAILABLE ON ONE OR BOTH SIDES

**STANDARD SIZES:**

MODEL	LEFT VENT DEPTH (LD)	LEFT VENT WIDTH (LW)	LEFT VENT HEIGHT (LH)	LEFT TUBE DIAMETER (LTD)	RIGHT VENT DEPTH (RD)	RIGHT VENT WIDTH (RW)	RIGHT VENT HEIGHT (RH)	RIGHT TUBE DIAMETER (RTD)	OVERALL WIDTH (OW)	OVERALL HEIGHT (OH)
SWCT44	4"	5 1/4"	5 1/4"	3 7/8"	4"	5 1/4"	5 1/4"	3 7/8"	13 1/2"	6"
SWCT64	6"	7 1/2"	7 1/4"	5 7/8"	4"	5 1/4"	5 1/4"	3 7/8"	16 1/2"	8"
SWCT46	4"	5 1/4"	5 1/4"	3 7/8"	6"	7 1/2"	7 1/4"	5 7/8"	16 1/2"	8"
SWCT66	6"	7 1/2"	7 1/4"	5 7/8"	6"	7 1/2"	7 1/4"	5 7/8"	18 3/4"	8"

**FEATURES**

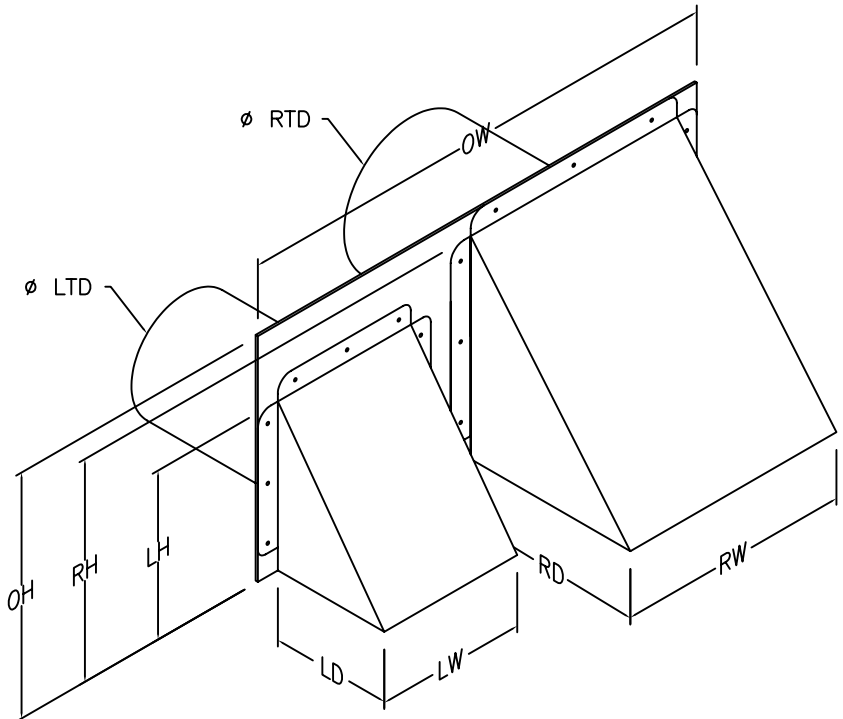
26 GAUGE GALVANIZED STEEL PROVIDES EXCELLENT CORROSION RESISTANCE AND LONGEVITY.

EXPANDED METAL SCREEN KEEPS DEBRIS AND SMALL ANIMALS OUT OF DUCTWORK.

RIVETED, HEAT-GLUED SEAMS CREATE A STRONG, MOISTURE RESISTANT SEAL.

FLANGED BASE PROVIDES FOR GOOD VENT-TO-WALL CONTACT AND AN EASY CAULKING SURFACE.

LONG GALVANIZED NECK ALLOWS FOR EASY UNION THROUGH WALLS TO INTERIOR DUCTS.



JOB NAME:
LOCATION:
ARCHITECT:
ENGINEER:
CONTRACTOR:
CONTACT MIAMI TECH INC. FOR ADDITIONAL INFORMATION OR WITH SPECIAL REQUIREMENTS.
3611 NW 74TH ST MIAMI, FL 33147
PHONE: 305-693-7054 FAX: 305-693-6152
WEB: WWW.MIAMITECH.COM EMAIL: SALES@MIAMITECH.COM

**SWCT**

GALVANIZED TWIN SIDE WALL CAP  
PRODUCT SPECIFICATIONS

NOTE: ALL DRAWINGS SUBJECT TO CHANGE WITHOUT PRIOR NOTICE.



DRAWN BY: AF

DATE: 08/20/07

SCALE: NOT TO SCALE

DRAWING NO. SWCT

CHECKED BY: IG

DATE: 08/20/07

REVISION: IG