



STANDARD CONSTRUCTION

MATERIAL:
26/28 GAUGE ASTM A-653 HOT-DIPPED GALVANIZED STEEL SHEET

CONSTRUCTION:
MECHANICALLY RIVETED / STITCH WELDED

STANDARD SIZES:

PLAIN	W/ SCOOP	W/ DAMPER	W/ SCOOP AND DAMPER	DIA. A	DIA. B	GAUGE	SIZE	QTY.
SSCT64-1	SSCT64-4	SSCT64-5	SSCT64-6	6"	4"	28	4"	1
SSCT75-1	SSCT75-4	SSCT75-5	SSCT75-6	7"	5"	28	5"	1
SSCT86-1	SSCT86-4	SSCT86-5	SSCT86-6	8"	6"	28	6"	1
SSCT97-1	SSCT97-4	SSCT97-5	SSCT97-6	9"	7"	28	7"	1
SSCT108-1	SSCT108-4	SSCT108-5	SSCT108-6	10"	8"	28	8"	1
SSCT1210-1	SSCT1210-4	SSCT1210-5	SSCT1210-6	12"	10"	28	10"	1
SSCT1412-1	SSCT1412-4	SSCT1412-5	SSCT1412-6	14"	12"	26	12"	1
SSCT1614-1	SSCT1614-4	SSCT1614-5	SSCT1614-6	16"	14"	26	14"	1
SSCT1816-1	SSCT1816-4	SSCT1816-5	SSCT1816-6	18"	16"	26	16"	1

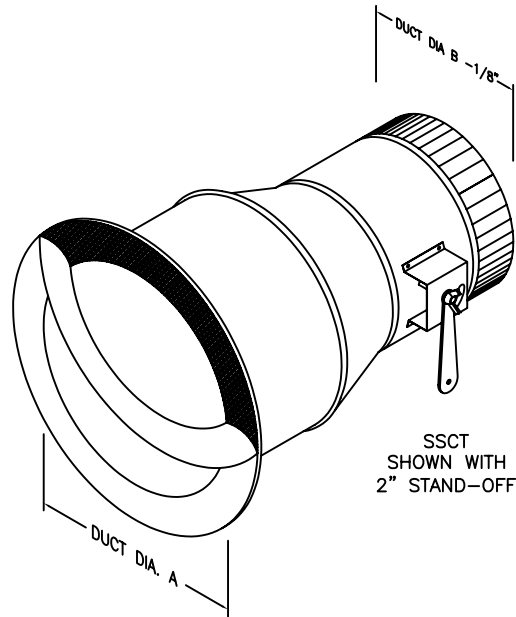
FEATURES

GALVANIZED STEEL PROVIDES EXCELLENT CORROSION RESISTANCE AND LONGEVITY.

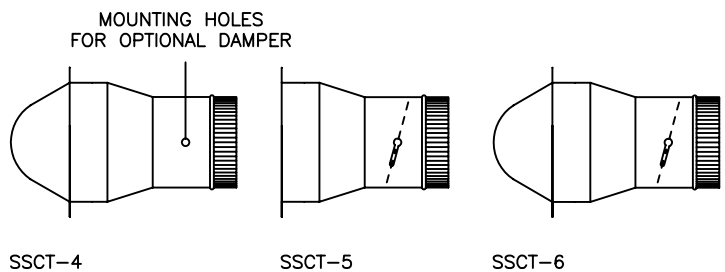
ADHEASIVE SEAL FLANGE IS 1" WIDE TO ENSURE A POSITIVE AND SECURE SEALED INSTALLATION.

CLAMP BAND AND PIPE CRIMP FACILITATE QUICK AND SECURE FIELD INSTALLATION.

OPTIONS: CUSTOM SIZES AVAILABLE.
2" STAND-OFF (SSCT-SO)
STANDARD STYLE: NO TAPER (SSC)



JOB NAME:
LOCATION:
ARCHITECT:
ENGINEER:
CONTRACTOR:
CONTACT MIAMI TECH INC. FOR ADDITIONAL INFORMATION OR WITH SPECIAL REQUIREMENTS. 3611 NW 74TH ST MIAMI, FL 33147 PHONE: 305-693-7054 FAX: 305-693-6152 WEB: WWW.MIAMITECH.COM EMAIL: SALES@MIAMITECH.COM



SSCT-1

SURE SEAL TAPERED COLLAR
PRODUCT SPECIFICATIONS

NOTE: ALL DRAWINGS SUBJECT TO CHANGE WITHOUT PRIOR NOTICE.



DRAWN BY: AF	DATE: 10/10/07	SCALE: NOT TO SCALE	DRAWING NO. SSCT-1
CHECKED BY: IG	DATE: 10/10/07	REVISION: 1	