



**STANDARD CONSTRUCTION**

MATERIAL:  
28 GAUGE ASTM A-653 HOT-DIPPED GALVANIZED STEEL SHEET

CONSTRUCTION:  
MECHANICALLY RIVETED / STITCH WELDED

**FEATURES**

GALVANIZED STEEL PROVIDES EXCELLENT CORROSION RESISTANCE AND LONGEVITY.

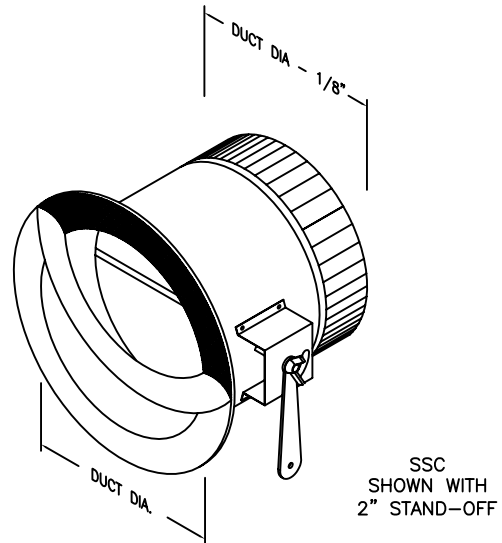
ADHEASIVE SEAL FLANGE IS 1" WIDE TO ENSURE A POSITIVE AND SECURE SEALED INSTALLATION.

CLAMP BAND AND PIPE CRIMP FACILITATE QUICK AND SECURE FIELD INSTALLATION.

OPTIONS: CUSTOM SIZES AVAILABLE.  
2" STAND-OFF (SSC-SO)  
TAPERED STYLE (SSCT)

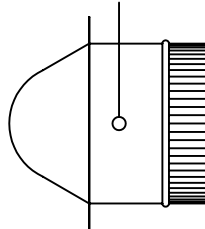
STANDARD SIZES:

PLAIN	W/ SCOOOP	W/ DAMPER	W/ SCOOOP AND DAMPER	GAUGE	SIZE	QTY.
SSC4	SSC4-4	SSC4-5	SSC4-6	28	4"	1
SSC5	SSC5-4	SSC5-5	SSC5-6	28	5"	1
SSC6	SSC6-4	SSC6-5	SSC6-6	28	6"	1
SSC7	SSC7-4	SSC7-5	SSC7-6	28	7"	1
SSC8	SSC8-4	SSC8-5	SSC8-6	28	8"	1
SSC9	SSC9-4	SSC9-5	SSC9-6	28	9"	1
SSC10	SSC10-4	SSC10-5	SSC10-6	28	10"	1
SSC12	SSC12-4	SSC12-5	SSC12-6	28	12"	1
SSC14	SSC14-4	SSC14-5	SSC14-6	28	14"	1
SSC16	SSC16-4	SSC16-5	SSC16-6	28	16"	1
SSC18	SSC18-4	SSC18-5	SSC18-6	28	18"	1

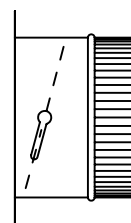


JOB NAME:
LOCATION:
ARCHITECT:
ENGINEER:
CONTRACTOR:
CONTACT MIAMI TECH INC. FOR ADDITIONAL INFORMATION OR WITH SPECIAL REQUIREMENTS. 3611 NW 74TH ST MIAMI, FL 33147 PHONE: 305-693-7054 FAX: 305-693-6152 WEB: WWW.MIAMITECH.COM EMAIL: SALES@MIAMITECH.COM

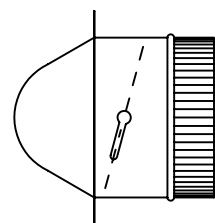
MOUNTING HOLES FOR OPTIONAL DAMPER



SSC-4



SSC-5



SSC-6

**SSC-1**

SURE SEAL COLLAR  
PRODUCT SPECIFICATIONS

NOTE: ALL DRAWINGS SUBJECT TO CHANGE WITHOUT PRIOR NOTICE.



DRAWN BY: AF

DATE: 10/10/07

SCALE: NOT TO SCALE

DRAWING NO.

CHECKED BY: IG

DATE: 10/10/07

REVISION: 1

SSC-1