



STANDARD CONSTRUCTION

MATERIAL:

26 GAUGE ASTM A-653 HOT-DIPPED GALVANIZED STEEL SHEET

STANDARD SIZES:

MODEL	SIZE	BOX QTY.
SRJ04	4"	1
SRJ05	5"	1
SRJ06	6"	1
SRJ07	7"	1
SRJ08	8"	1
SRJ10	10"	1
SRJ12	12"	1
SRJ14	14"	1
SRJ16	16"	1
SRJ18	18"	1

FEATURES:

GALVANIZED STEEL PROVIDES EXCELLENT CORROSION RESISTANCE AND LONGEVITY.

ACME LOCK SEAM CREATES A STRONG, RIGID BODY.

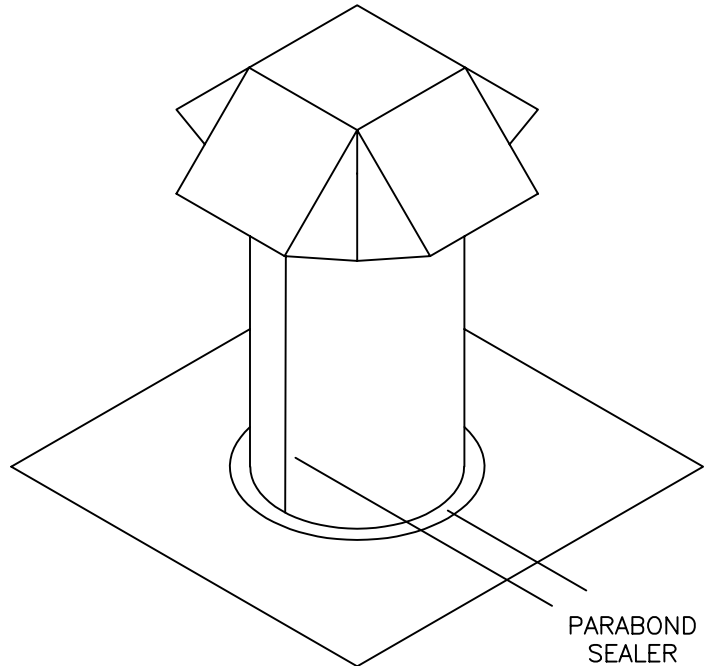
SEAMS SEALED WITH PARABOND ALUMINUM ADHESIVE.

INCLUDES A BIRD SCREEN.

ALL MODELS COME STANDARD WITH BIRDSCREEN.

OPTIONS:

FOR MODELS WITHOUT BIRDSCREEN, ADD "-NS" TO PART NUMBER



JOB NAME:
LOCATION:
ARCHITECT:
ENGINEER:
CONTRACTOR:
CONTACT MIAMI TECH INC. FOR ADDITIONAL INFORMATION OR WITH SPECIAL REQUIREMENTS.
3611 NW 74TH ST MIAMI, FL 33147 PHONE: 305-693-7054 FAX: 305-693-6152
WEB: WWW.MIAMITECH.COM EMAIL: SALES@MIAMITECH.COM

SRJ

STRAIGHT ROOF JACK
PRODUCT SPECIFICATIONS



DRAWN BY: AF	DATE: 10/16/07	SCALE: NOT TO SCALE	DRAWING NO. SRJ
CHECKED BY: IG	DATE: 10/16/07	REVISION: 1	