



STANDARD CONSTRUCTION

BODY:

26 GAUGE GALVANIZED STEEL

CAP :

26 GAUGE GALVANIZED STEEL

BIRD SCREEN :

22 GAUGE EXPANDED GALVANIZED STEEL

SEALER :

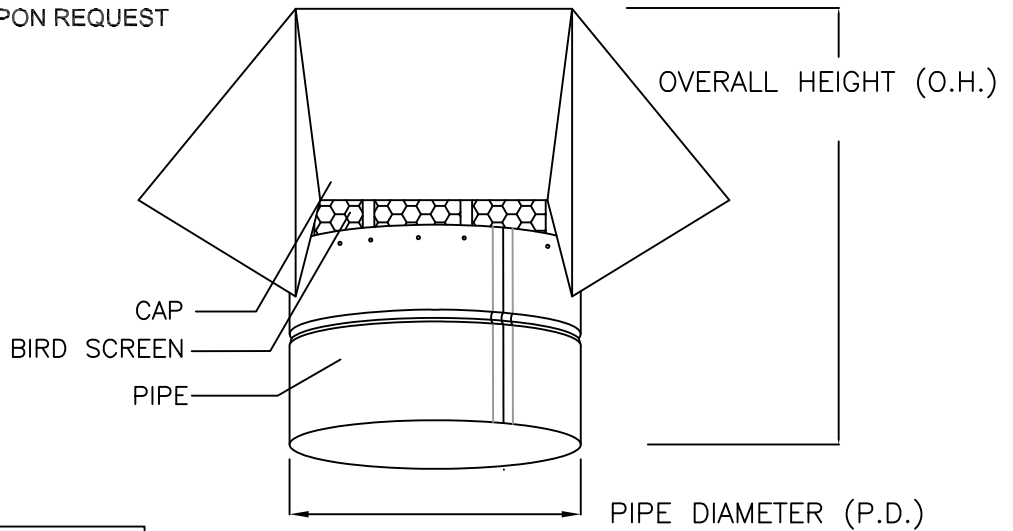
PARABOND ALUMINIUM ADHESIVE

OPTION:

CUSTOM SIZES AVAILABLE UPON REQUEST

STANDARD SIZES:

P.D.	O.H.
6"	8"



JOB NAME:
LOCATION:
ARCHITECT:
ENGINEER:
CONTRACTOR:
CONTACT MIAMI TECH INC. FOR ADDITIONAL INFORMATION OR WITH SPECIAL REQUIREMENTS.
3611 NW 74TH ST MIAMI, FL 33147 PHONE: 305-693-7054 FAX: 305-693-6152
WEB: WWW.MIAMITECH.COM EMAIL: SALES@MIAMITECH.COM

SC

SHANTY CAP
PRODUCT SPECIFICATIONS

NOTE: ALL DRAWINGS SUBJECT TO CHANGE WITHOUT PRIOR NOTICE.



miami tech inc.

DRAWN BY: AV	DATE: 02.25.2009	SCALE: NOT TO SCALE	DRAWING NO. SC
CHECKED BY: IV	DATE: 8-20-2012	REVISION: 03	