



STANDARD CONSTRUCTION

MATERIAL:
14/16 GAUGE ASTM A-653 COLD-ROLLED GALVANIZED STEEL SHEET

STANDARD SIZES:

MODEL	SIZE	GAUGE	BUNDLE QTY.
SA10-16	1.5" X 1.5" X 10'	16	50'
SA10	1.5" X 1.5" X 10'	14	50'

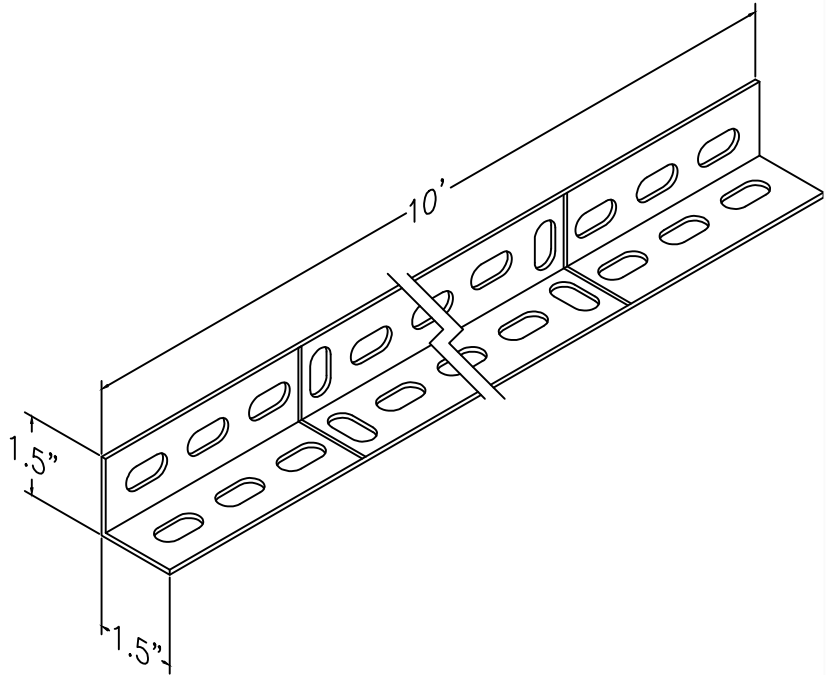
FEATURES

GALVANIZED STEEL PROVIDES EXCELLENT CORROSION RESISTANCE AND LONGEVITY.

SCORED EVERY 12".

SOLD IN BUNDLE QUANTITIES OF 5 PIECES (50').

OPTION: CUSTOM SIZES AVAILABLE.



JOB NAME:
LOCATION:
ARCHITECT:
ENGINEER:
CONTRACTOR:
CONTACT MIAMI TECH INC. FOR ADDITIONAL INFORMATION OR WITH SPECIAL REQUIREMENTS. 3611 NW 74TH ST MIAMI, FL 33147 PHONE: 305-693-7054 FAX: 305-693-6152 WEB: WWW.MIAMITECH.COM EMAIL: SALES@MIAMITECH.COM

SA

**SLOTTED ANGLE
PRODUCT SPECIFICATIONS**

NOTE: ALL DRAWINGS SUBJECT TO CHANGE WITHOUT PRIOR NOTICE.



DRAWN BY: AF	DATE: 10/09/07	SCALE: NOT TO SCALE	DRAWING NO. SA
CHECKED BY: IG	DATE: 10/09/07	REVISION: 1	