



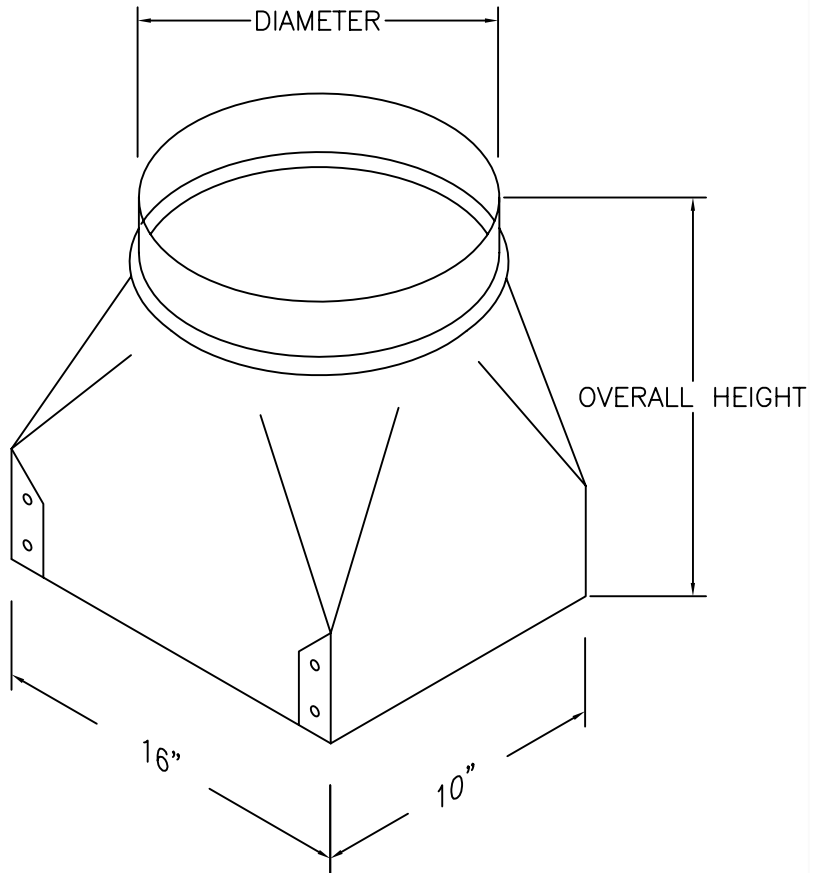
**STANDARD CONSTRUCTION**

**MATERIAL:**  
26 GAUGE ASTM A-653 HOT-DIPPED GALVANIZED STEEL SHEET

**CONSTRUCTION:**  
MECHANICALLY RIVETED / STITCH WELDED

**STANDARD SIZES:**

MODEL	OVERALL HEIGHT	DIA	GA	QTY
ICPRTRPU161012	12"	12"	26	1
ICPRTRPU161014	13"	14"	26	1
ICPRTRPU161016	13"	16"	26	1



**FEATURES**

*GALVANIZED STEEL PROVIDES EXCELLENT CORROSION RESISTANCE AND LONGEVITY.*

*RECTANGULAR END FITS OUTLETS OF ICP PACKAGE UNITS.*

*ROUND COLLAR IS OVERSIZED WITH A BEAD TO ACCEPT PIPE OR FLEXIBLE DUCT.*

*OPTIONS: CUSTOM SIZES AVAILABLE.*

JOB NAME:
LOCATION:
ARCHITECT:
ENGINEER:
CONTRACTOR:
CONTACT MIAMI TECH INC. FOR ADDITIONAL INFORMATION OR WITH SPECIAL REQUIREMENTS.
3611 NW 74TH ST MIAMI, FL 33147 PHONE: 305-693-7054 FAX: 305-693-6152
WEB: WWW.MIAMITECH.COM EMAIL: SALES@MIAMITECH.COM

**ICPRTRPU**

RECTANGULAR TO ROUND PACKAGE UNIT TAKEOFF  
PRODUCT SPECIFICATIONS

NOTE: ALL DRAWINGS SUBJECT TO CHANGE WITHOUT PRIOR NOTICE.



DRAWN BY: AV	DATE: 6/18/10	SCALE: NOT TO SCALE
CHECKED BY: IV	DATE: 6/18/10	REVISION: 1

DRAWING NO.  
**ICPRTRPU**