

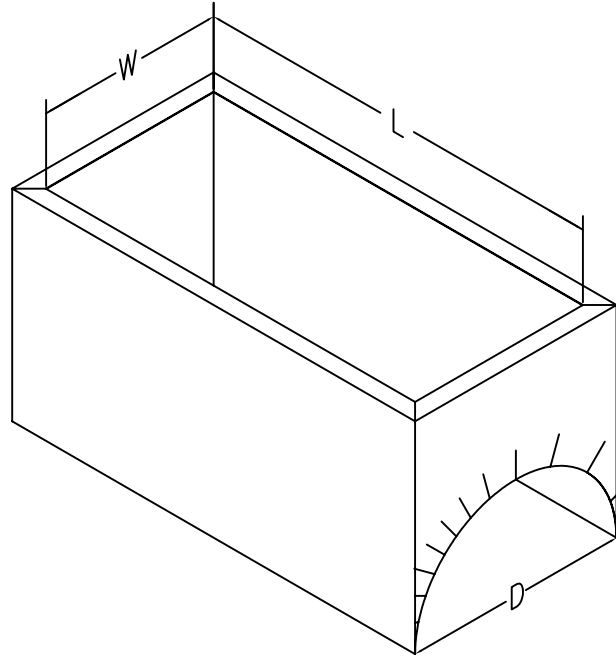


STANDARD CONSTRUCTION

MATERIAL:
26 GAUGE ASTM A-653 HOT-DIPPED GALVANIZED STEEL SHEET

STANDARD SIZES:

| Part No. | Grille Size | Duct Dia. |
|----------|-------------|-----------|
| RTO848 | 8x4" | 8" |
| RTO8410 | 8x4" | 10" |
| RTO1068 | 10x6" | 8" |
| RTO10610 | 10x6" | 10" |
| RTO1268 | 12x6" | 8" |
| RTO12610 | 12x6" | 10" |
| RTO1288 | 12x8" | 8" |
| RTO12810 | 12x8" | 10" |



FLANGE-IN DESIGN: USED WHEN DIAMETER IS 2" OR GREATER THAN THE WIDTH.

FEATURES

LASER CUT PRECISION.

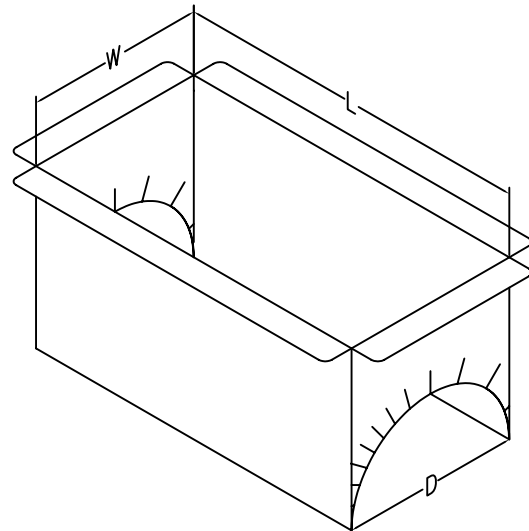
1" FLANGE.

GALVANIZED STEEL PROVIDES EXCELLENT CORROSION RESISTANCE AND LONGEVITY.

AVAILABLE IN OTHER GAUGES.

OPTION: CUSTOM SIZES AVAILABLE.

| |
|--|
| JOB NAME: |
| LOCATION: |
| ARCHITECT: |
| ENGINEER: |
| CONTRACTOR: |
| |
| CONTACT MIAMI TECH INC. FOR ADDITIONAL INFORMATION OR WITH SPECIAL REQUIREMENTS. |
| |
| 3611 NW 74TH ST MIAMI, FL 33147 |
| PHONE: 305-693-7054 FAX: 305-693-6152 |
| |
| WEB: WWW.MIAMITECH.COM EMAIL: SALES@MIAMITECH.COM |



FLANGE-OUT DESIGN: USED WHEN DIAMETER IS THE SAME AS, OR LESS THAN 2" GREATER THAN, THE WIDTH.

RTO

REGISTER TAKE-OFF
PRODUCT SPECIFICATIONS

NOTE: ALL DRAWINGS SUBJECT TO CHANGE WITHOUT PRIOR NOTICE.



| | | | |
|-------------------|-------------------|------------------------|--------------|
| DRAWN BY: AV | DATE: 10/09/07 | SCALE: NOT TO SCALE | DRAWING NO.: |
| CHECKED BY: IG | DATE: 11/18/10 | REVISION: 02 | |

DRAWING NO.
RTO