

STANDARD CONSTRUCTION

26 GAUGE ASTM A-653 HOT -DIPPED GALVANIZED STEEL

12" or 14" DIA

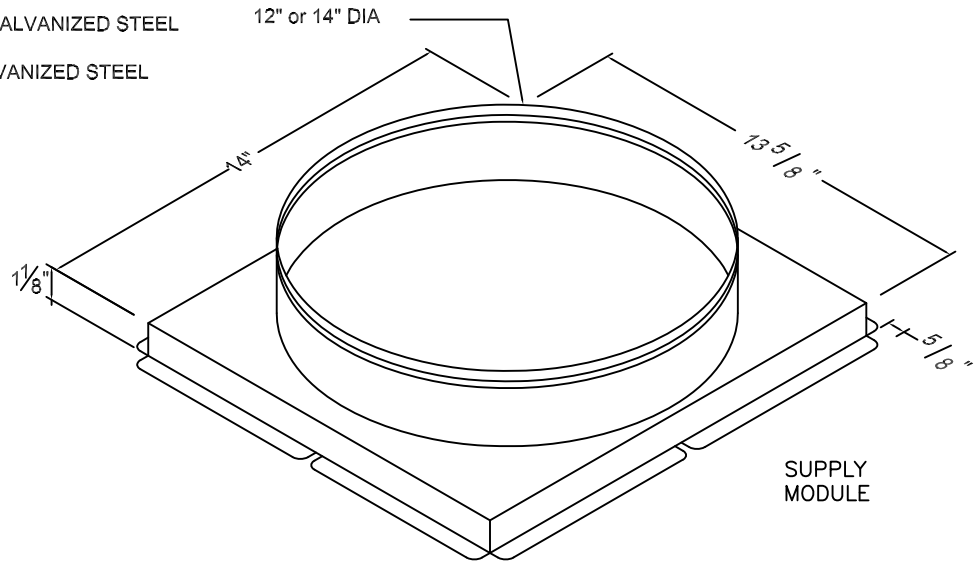
COLLAR: 26 GAUGE HOT DIPPED GALVANIZED STEEL

INSULATION:

1"-R4 BLACK DIFFUSER BOARD

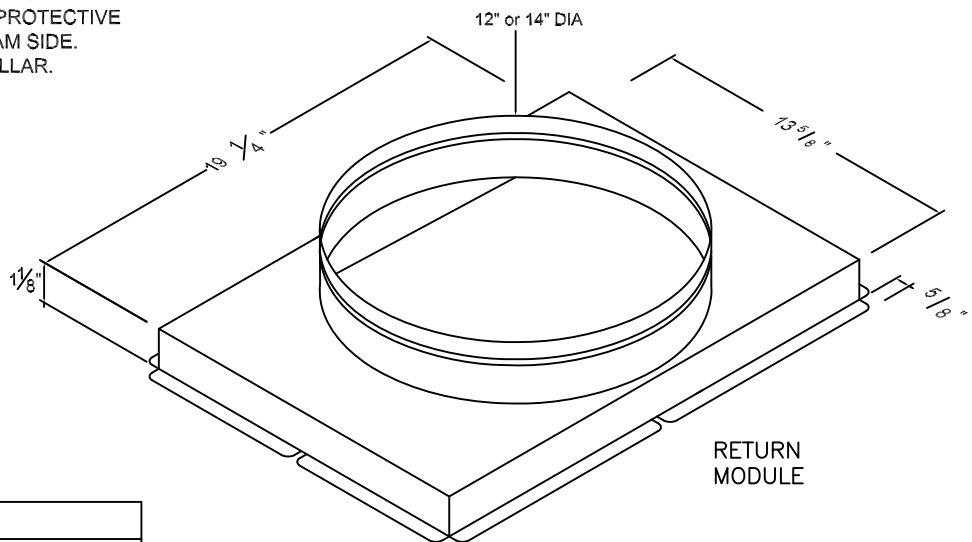
OPTIONS:

CUSTOM SIZES AVAILABLE


**SUPPLY
MODULE**
FEATURES

COLLAR INSTALLED WITH EXPANSION LOCK AND THEN SEALED AIR TIGHT WITH PARABOND ALUMINUM ADHESIVE

BLACK DIFFUSER BOARD COATED WITH EPA-REGISTERED, ANTI-MICROBIAL, PROTECTIVE ACRYLIC AGENT ALONG AIR STREAM SIDE. AVAILABLE IN 12" OR 14" ROUND COLLAR. SOLD IN SETS (SUPPLY/RETURN).


**RETURN
MODULE**

JOB NAME:
LOCATION:
ARCHITECT:
ENGINEER:
CONTRACTOR:
CONTACT MIAMI TECH INC. FOR ADDITIONAL INFORMATION OR WITH SPECIAL REQUIREMENTS. 3611 NW 74TH ST MIAMI, FL 33147 PHONE: 305-693-7054 FAX: 305-693-6152 WEB: WWW.MIAMITECH.COM EMAIL: SALES@MIAMITECH.COM

RTCPUXXSR

 RHEEM/RUUD TAKE-OFF COLLAR
 FOR PACKAGE UNIT

 PRODUCT SPECIFICATIONS
 NOTE: ALL DRAWINGS SUBJECT TO CHANGE WITHOUT PRIOR NOTICE.

DRAWN BY: CG	DATE: 06/10/2010	SCALE: NOT TO SCALE	DRAWING NO. RTCPUSR
CHECKED BY: IV	DATE: 5/11/12	REVISION: 2	