



**STANDARD CONSTRUCTION**

MATERIAL:  
26/28 GAUGE ASTM A-653 HOT-DIPPED GALVANIZED STEEL SHEET

CONSTRUCTION:  
MECHANICALLY RIVETED / STITCH WELDED

STANDARD SIZES:

PLAIN	W/ DAMPER	W/ DAMPER AND STANDOFF	DIAMETER	LENGTH	WIDTH	HEIGHT	GAUGE	QTY.
RT4	RTD4	RTDS4	4"	12"	7"	12"	28	1
RT5	RTD5	RTDS5	5"	12"	7"	10 1/2"	28	1
RT6	RTD6	RTDS6	6"	12"	7"	11 1/2"	28	1
RT7	RTD7	RTDS7	7"	12"	7"	11 1/2"	28	1
RT8	RTD8	RTDS8	8"	14"	8 1/2"	11 1/2"	28	1
RT9	RTD9	RTDS9	9"	15"	8 1/2"	13"	28	1
RT10	RTD10	RTDS10	10"	16"	9"	13"	28/26	1
RT12	RTD12	RTDS12	12"	20"	10 1/2"	13"	28/26	1
RT14	RTD14	RTDS14	14"	20"	14 1/2"	14 1/2"	28/26	1
RT16	RTD16	RTDS16	16"	26"	14 1/2"	14 1/2"	28/26	1
RT18	RTD18	RTDS18	18"	28"	16 1/2"	21 1/2"	28/26	1
RT20	RTD20	RTDS20	20"	30"	18 1/2"	21 1/2"	28/26	1

**FEATURES**

GALVANIZED STEEL PROVIDES EXCELLENT CORROSION RESISTANCE AND LONGEVITY.

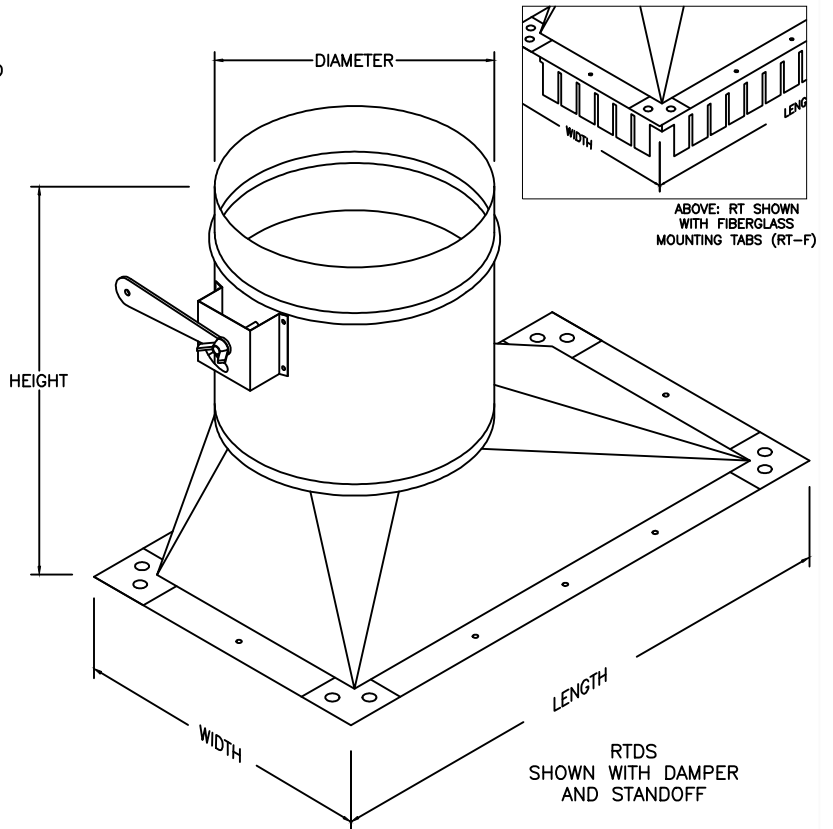
CONTINUOUS WELDED SEAM PREVENTS AIR LEAKAGE.

1" FLANGE WITH GASKETED FACE HELPS TO MAKE A SECURE CONNECTION. FLANGE IS PRE-DRILLED TO ALLOW FOR EASIER INSTALLATION.

DAMPER HAS REINFORCED AXIS AND STANDOFF ALLOWS FOR LOCKING THE REGULATOR.

**OPTIONS:**

- CUSTOM SIZES AVAILABLE.
- AVAILABLE WITH DAMPER (RTD)
- AVAILABLE WITH DAMPER AND STANDOFF (RTDS: SO style)
- AVAILABLE WITH FIBERGLASS TABS ON ALL MODELS (PART#-F, i.e. "RTDS8-F")



JOB NAME: \_\_\_\_\_

LOCATION: \_\_\_\_\_

ARCHITECT: \_\_\_\_\_

ENGINEER: \_\_\_\_\_

CONTRACTOR: \_\_\_\_\_

CONTACT MIAMI TECH INC. FOR ADDITIONAL INFORMATION OR WITH SPECIAL REQUIREMENTS.

3611 NW 74TH ST  
MIAMI, FL 33147  
PHONE: 305-693-7054 FAX: 305-693-6152

WEB: WWW.MIAMITECH.COM  
EMAIL: SALES@MIAMITECH.COM

**RT**

RECTANGULAR TRANSITION  
PRODUCT SPECIFICATIONS



DRAWN BY:	AF	DATE:	10/10/07	SCALE:	NOT TO SCALE	DRAWING NO.:	RT
CHECKED BY:	IG	DATE:	01/19/15	REVISION:	D		