



STANDARD CONSTRUCTION

FRAME:
6063T5 EXTRUDED ALUMINUM
NOMINAL WALL THICKNESS OF 0.081"
UNIVERSAL C-CHANNEL FRAME

BLADES:
6063T5 EXTRUDED ALUMINUM
NOMINAL WALL THICKNESS OF 0.081"
SPACED AT APPROX. 6" CENTERS

BEARINGS:
PERMANENTLY LUBRICATED OILITE BRONZE, PRESS FIT INTO FRAME

OPERATOR SHAFT:
1/2" DIAMETER PLATED STEEL SHAFT EXTENDS 3" PAST FRAME.

FINISH :
MILL ALUMINUM

MINIMUM SIZE:
12" W X 12" H

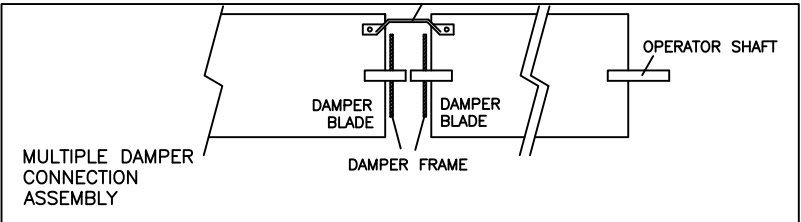
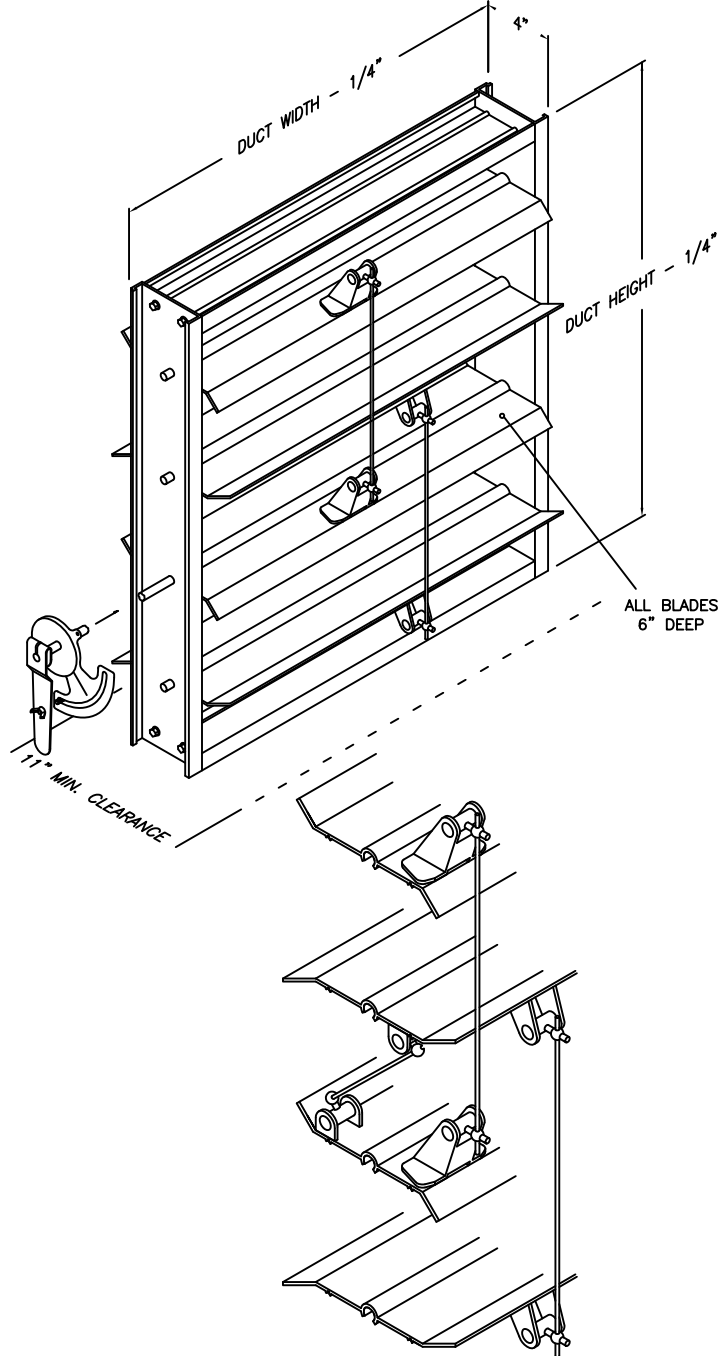
MAXIMUM DAMPER SIZE:
SINGLE: 48" W X 60" H
MULTIPLE HORIZONTAL: 96" W X 60" H
MULTIPLE VERTICAL: 48" W X 120" H

OPTIONS:
MOBD - MOTOR MOUNTING (FACTORY FURNISHED ONLY)
1/2" DIAMETER OPERATOR (EXTENDS 6" BEYOND FRAME)

FEATURES

HEAVY EXTRUDED ALUMINUM PROVIDES SUPERIOR DURABILITY AND RESISTS CORROSION.

SOLID HARDWARE ALLOWS SMOOTH OPERATION.



JOB NAME:
LOCATION:
ARCHITECT:
ENGINEER:
CONTRACTOR:
CONTACT MIAMI TECH INC. FOR ADDITIONAL INFORMATION OR WITH SPECIAL REQUIREMENTS.
3611 NW 74 ST MIAMI FL 33147
PHONE: 305-693-7054 FAX: 305-693-6152
WEB: WWW.MIAMITECH.COM EMAIL: SALES@MIAMITECH.COM

OBD

OPPOSED BLADE DAMPER
PRODUCT SPECIFICATIONS

NOTE: ALL DRAWINGS SUBJECT TO CHANGE WITHOUT PRIOR NOTICE.



DRAWN BY: AF	DATE: 12/13/07	SCALE: NOT TO SCALE	DRAWING NO. AC101-A
CHECKED BY: IG	DATE: 4/10/12	REVISION: IG	