



STANDARD CONSTRUCTION

BODY:

26 GAUGE ASTM A-653 HOT-DIPPED GALVANIZED STEEL SHEET
EXPANDED GALVANIZED STEEL MESH

FEATURES

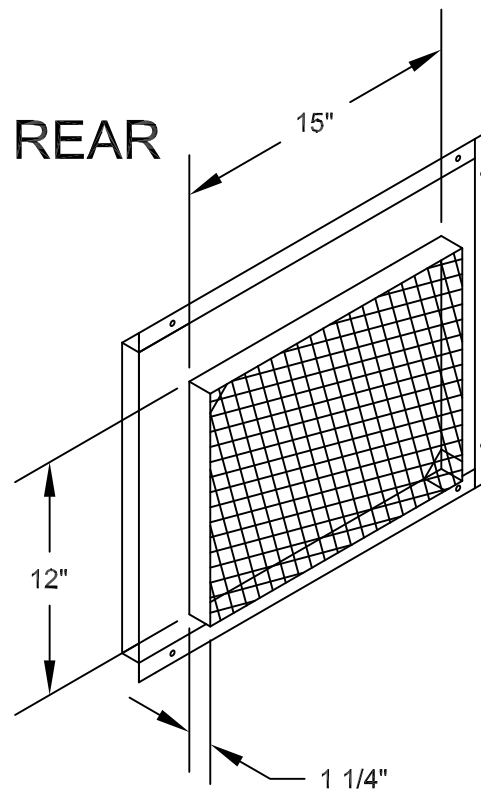
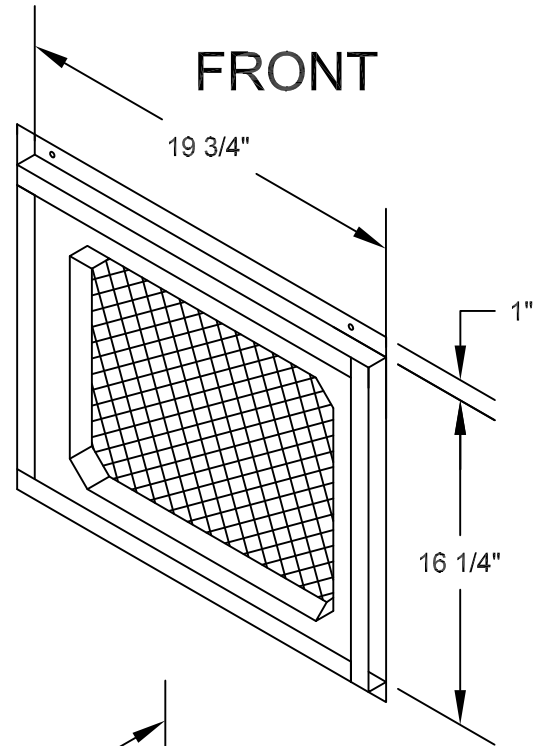
THE MTISRKIT1620 IS DESIGNED TO OFFER THE END USER FLEXIBILITY AND CONVENIENCE IN THE INSTALLATION OF TRANE AND AMERICAN STANDARD AIR HANDLERS.

26 GAUGE GALVANIZED STEEL PROVIDES EXCELLENT CORROSION RESISTANCE AND LONGEVITY.

POWDERCOATED WITH DUPONT 100% POLYESTER PAINT, (GRANITE GRAY, RAL #7026).

FILTER RACK DESIGNED FOR WIDELY AVAILABLE 16"X20"X1" FILTERS (DISPOSABLE FILTER INCLUDED)

INDIVIDUALLY BOXED WITH INSTALLATION INSTRUCTIONS



JOB NAME:
LOCATION:
ARCHITECT:
ENGINEER:
CONTRACTOR:

CONTACT MIAMI TECH INC. FOR ADDITIONAL INFORMATION OR WITH SPECIAL REQUIREMENTS.

3611 NW 74TH ST
MIAMI, FL 33147
PHONE: 305-693-7054 FAX: 305-693-6152

WEB: WWW.MIAMITECH.COM
EMAIL: SALES@MIAMITECH.COM

**MTISRKIT1620
SIDE RETURN KIT FOR TRANE/AMERICAN STANDARD
SPECIFICATIONS**

NOTE: ALL DRAWINGS SUBJECT TO CHANGE WITHOUT PRIOR NOTICE.



DRAWN BY: AV

DATE: 10/12/11

SCALE: NOT TO SCALE

CHECKED BY: IG

DATE:

REVISION: A

MTISRKIT1620