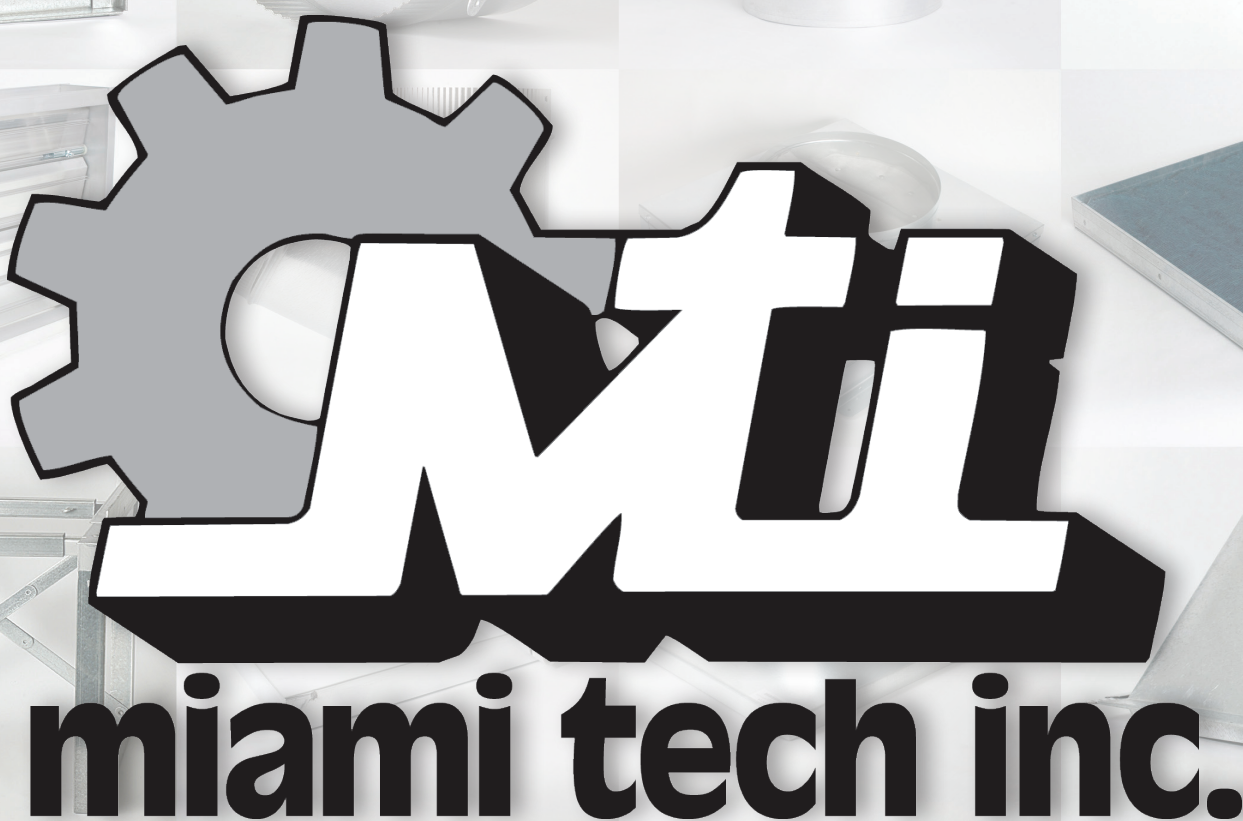


# Metal and Fire Product Catalog

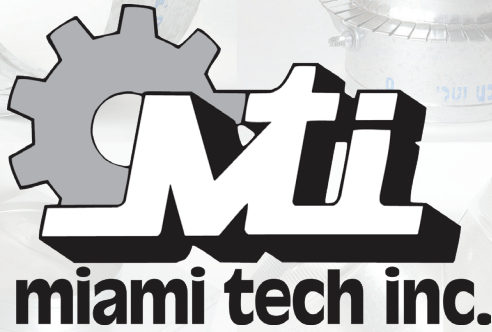
CONDENSING UNIT STANDS • SLEEVE DAMPER • DRAIN PANS • FITTINGS • RIGID VENT PIPES  
ROOF JACK • SNAP LOCK PIPE • ROOF VENT • REGISTER BOXES • ALUMINIUM Z-BAR • CAN STOCK • BOOT RAILS • FLAT S-LOCK  
HEAT SHIELDS • BOOT CLIPS • CONDENSING UNIT TIE DOWNS • DUCT GRILLE CLIPS • TEES  
AIR HANDLER STANDS • TAKE-OFF COLLARS • FLEX DUCT CONNECTORS • PIPE STANDS • REGISTER BOOT  
FIXED FILTER RACKS



[WWW.MIAMITECH.COM](http://WWW.MIAMITECH.COM)



OUR COMPANY



Miami Tech, Inc. was established in 1987 in a small warehouse with a handful of products to offer. Today, Miami Tech spans over 135,000 square feet of manufacturing and warehousing space in our three facilities located in Miami, Florida, with over 17,000 components in our product lines.

Miami Tech continuously designs, builds, and implements new methods of manufacturing, delivering quality, efficiency and mass production to the industry. We continue to operate on the cutting edge with fully automated production lines and CNC laser cutting technology ensuring consistent quality of our products. Always striving to be ahead of the competition, we are constantly innovating new designs and product lines as well as offering swift and versatile processing of custom requests to cater to every last one of our customers' needs. We work tirelessly to improve the products themselves, redesigning them based on you and your customers' feedback.

Since we build to stock and ship from inventory at our highly efficient Miami Tech Distribution Center, the moment we receive an order, it can be fulfilled and shipped within forty-eight hours and in most cases the same day. You don't have to wait two or three weeks for your order, which is the industry standard. You can count on our friendly and knowledgeable customer representatives to get it right, so you can receive it on time. As one of the leading manufacturers in the HVAC industry, we strive to be the best, setting new standards in quality, service, and price.

Industry Leaders. Manufacturing Experts.

**Setting the industry standard since 1987.**

3611 NW 74th Street  
Miami, Florida 33147

[WWW.MIAMITECH.COM](http://WWW.MIAMITECH.COM)

Ph: (305) 693-7054  
Fx: (305) 693-6152





## TERMS & CONDITIONS

### Terms and Conditions of Sale

1. Terms 1%-10 days, Net 30 days. Add 1-1/2% per month service charge on all delinquent accounts.
2. All prices and/or designs are subject to change without notice.
3. All claims for shortage, damage, etc., must be made within 24 hours from date of shipment. For LTL shipments and truck loads, discrepancies must be noted on bill of lading.
4. View website for most up to date information.

### Return Policy

1. No merchandise will be accepted for return without prior approval from Miami Tech, Inc.
2. No returns after 60 days.
3. No returns on special, custom, or non-stock products.
4. Returned merchandise will be subject to a 20% restocking fee.

### Freight Policy

1. Freight is paid on a minimum order of \$1,980.00 net for Florida (excluding Panhandle)
2. Freight is paid on a minimum order of \$6,600.00 net for Florida Panhandle.
3. For States not listed, orders freight will be addressed on a case by case basis.
4. Other exclusions/exceptions may apply.

### Sales Policy

1. Minimum invoice charge is \$50.00.
2. Minimum order of \$100.00 net for local delivery.
3. Broken box charge is an additional 25%.

### Special Sizes

If a particular size is not listed within this catalog, please do not hesitate to ask. We are capable of manufacturing most sizes if given specifications.

### Warranty

Miami Tech, Inc., warrants that all the products and fittings it manufactures are produced in accordance with the standards and specifications shown within this catalog. No warranty of suitability for any particular purpose, nor any other presentation of warranty, whether expressed or implied, is made respecting these products.





# TABLE OF CONTENTS

## Air Conditioning Accessories

Aluminium Z-Bars	5
Can Stock	5
Boot Rails	5
Boot Clips	6
Heat Shields / Collar Start	6
Drive Cleat	6
Flat S-Lock	7
Standing S-Lock	7
Duct Grille Clip	7
Slotted Angle Iron	8
Air-Handler Bracket	8
Hanging Strap	8
Fiberglass Duct Support / Saddle	9
Mixing Box Bracket	9
Nail Plate	9
Sheet Metal Frame	10
Register Take-Off	10
Refrigerant Line Cover	11
U-Channel	11

## Filter Racks

Fixed Filter Racks	12
Fixed Filter Racks w/ Door	12
Fixed Filter Racks w/ Door For Eco Temp	12
Trane/American Standard Fixed Filter Rack	13
Adjustable Filter Rack	13
Adjustable Air Handler Wall Bracket	13

## Condensing Unit Tie-Down Kits

Miami Tech Tie-Down Kits	14
Rheem/Ruud Tie-Down Kits	15
Trane/American Standard Tie-Down Kits	15
Carrier/Bryant Tie-Down Kits	16
Daikin Tie-Down Kits	16

## Air Handler Bases

Trane/American Standard Air-Handler Base	17
Trane/American Standard Air-Handler Base Sound Baffle Kit	17
Trane/American Standard Side Return Kit	17
Model HAB	18
Model HEB	19
Model AHEB	20
Model UHB	20

## Condensing Unit Stands

Model AST (Non-HVHZ) Aluminum Condensing Unit Stand	21
Model AS14 Aluminum Condensing Unit Stand	22-23

## Aluminum Products & Condensing Unit Cage

Aluminum Condensing Unit Wall Mount Bracket (Wind Load Rated)	24
Aluminum Condensing Unit Heavy Duty Wall Mount Bracket	24
Aluminum Pipe Stand	24
Single Leg Pipe Stand	25
Condensing Unit Cage	25

## Collars & Accessories

Tab Collars For Fiberglass Duct (Regular / Nested)	26
261 Collars	27
Spin-in Collars for Fiberglass Duct (Standard / Tapered)	28
Spin-in Collars for Metal Duct (Standard / Tapered)	29
Take-Off Collars	30
Ring-Seal Collars	30
Sure-Seal Collars (Standard / Tapered)	31
Flex Duct Connectors	32
Collar Rings	32
Damper Assembly Kit	32
Collar Optional Accessories	33

## Volume Dampers

Sleeve Dampers	34
Volume Dampers	34
Aluminum Opposed-Blade Volume Damper	35
Aluminum Parallel-Blade Volume Damper	35
Motorized Opposed-Blade Volume Damper	36
Motorized Parallel-Blade Volume Damper	36
Rectangular Motorized Zone Damper	37
Round Motorized Zone Damper	37

## Drain Pans

Drain Pans	38
Drain Pan w/ Rails	38
Rheem/Ruud Horizontal Drain Pan	39
Auxiliary Drain Pan	39
Drain Pan Hanging Kit	39

## Fiberglass Products

Fiberglass Reducers	40
Fiberglass Triangles	40
Fiberglass Plenum Boxes	40
Fiberglass Register Boxes	41
Fiberglass Return-Air Register Boxes	41

## Register Boxes

R-4/R-6 Register Boxes (Flanged / Unflanged)	42
R-8 Register Boxes (Flanged/Unflanged)	43
R-6 Metal Top Box w/ Collar	43
R-8 Metal Top Box w/ Collar	44
Side-Outlet Register Box	44
Return Air Box	45
Thru-Wall Box	45
Mobile Home Return Box	46
Fiberglass Slanted Register Box	46

## Adjustable Elbows & Metal Pipes

Adjustable Elbows	47
Snap Lock Pipes	48
Rigid Vent Pipes	48

## Metal Fittings

Metal Tees	49
End Cap	49
Metal Reducer	50
Rectangular Transition	50
Rectangular To Round Adapter	51
Square To Round Adapter	51
In-Line Wye / Bull-Nose Wye / Adjustable Wye / Mobile Home Wye	52
Take-Off Collar for ICP Package-Units	53
Take-Off Collar for Rheem/Ruud Package-Units	54
Take-Off Collar for Nordyne Package-Units	54
Take-Off Collar for Daikin Package-Units	54

## Register Boots

Plaster Ground Frame	55
Straight Register Boot	55
Center-End Register Boot	56
Elbow Register Boot	56

## Wall Stack Products

Wall Stack Short-Way Elbows (Standard / 45°) and Long-Way Elbows	57
Wall Stack Straight and Elbow Transitions	58
Wall Stack Centered Transitions	59
Wall Stack Pipe	59
Wall Stack Cap	59
Side Wall Cap / Twin Side Wall Cap	60
Wall Stack Side Wall Cap	60

## Roofing Products

Galvanized Roof Vents	61
Aluminum Roof Vents	62
Roof Jack (Straight / Angled)	63
All Purpose Roof Jack (Straight / Angled)	63
Line Jack	64
Shanty Cap	64
Eave Vent	64

## Fire Product Line

Fire Damper Product Line Overview	65
Fire Damper Selection Guide	66-68
Fire Damper and Ceiling Damper Ordering Guide	69

## Static System Fire Dampers

Model 150E Slimline	70
Model 150F Slimline	71

## Dynamic System Fire Dampers

Model 151A	72
Model 151B	73
Model 151C	74
Model US-3	75
Birdcage Fire Damper Assembly	75

## Ceiling Dampers

Model 615	76
Model 616	77
Model FCB	77

## Access Doors

Model FSA 100 and 101	78
Model FSA 110 and 111	79
Model FSA 115 and 116	80
Model FSA 125SM and 126SM	81
Model FSASMF	81

## Ceiling Radiation Damper Boxes

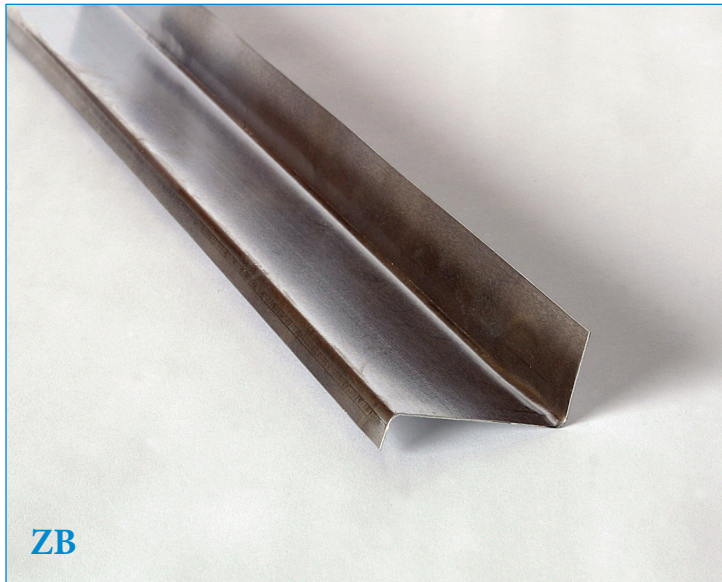
Model CRPD	82
Model CRD	83
Model CRDS	84

## Fire Damper Optional Accessories

Fixed Fire Damper Sleeve	85
Adjustable Fire Damper Sleeve	86
Picture Frame Angle	86
Mounting Angles	87



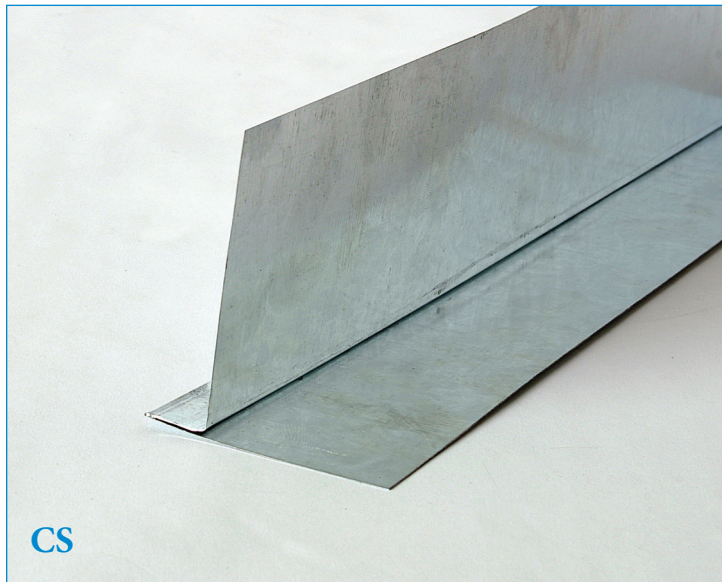
ALUMINUM Z-BAR



ZB

Part No.	Size	Gauge	Qty.
ZB-2	1"	.020 Mill Finish	100 ft
ZBR-2	1-1/2"	.020 Mill Finish	100 ft
ZB-R8	2"	.020 Mill Finish	80 ft

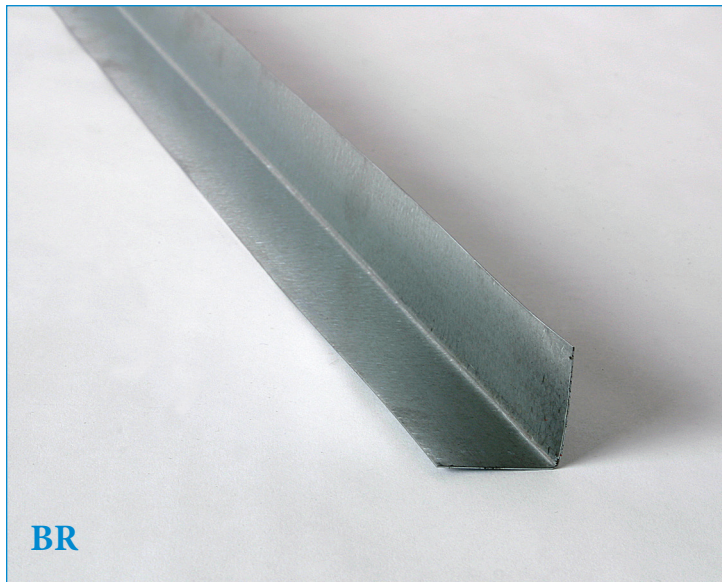
CAN STOCK / PLASTER ROUND



CS

Part No.	Size	Gauge	Qty.
CS-4	2" x 1-1/2" x 10'	30ga	200 ft
CS-412	1.75" x 2.25" x 10'	30ga	200 ft
CS-5	2" x 2-1/2" x 10'	30ga	200 ft

BOOT RAIL



BR

Part No.	Size	Gauge	Qty.
BR-26	1" x 1" x 24"	26ga	50
BR-24	1" x 1" x 24"	24ga	50
BR-22	1" x 1" x 24"	22ga	50



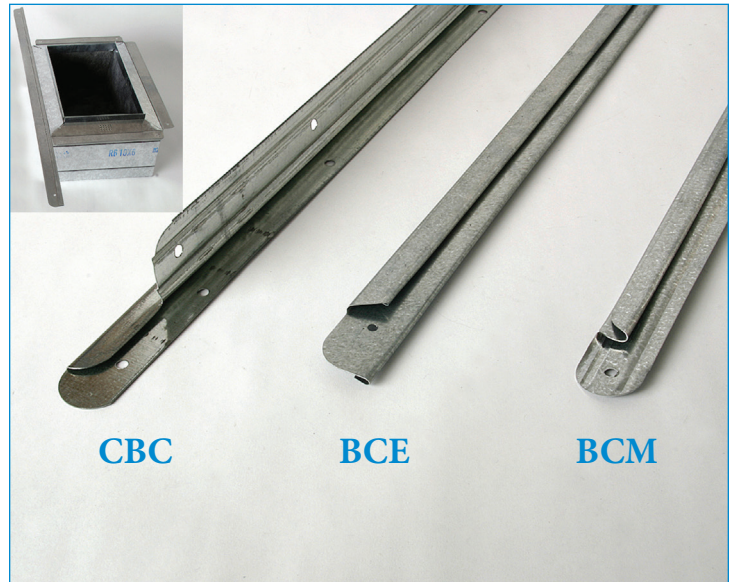


## BOOT CLIP

### Product Models

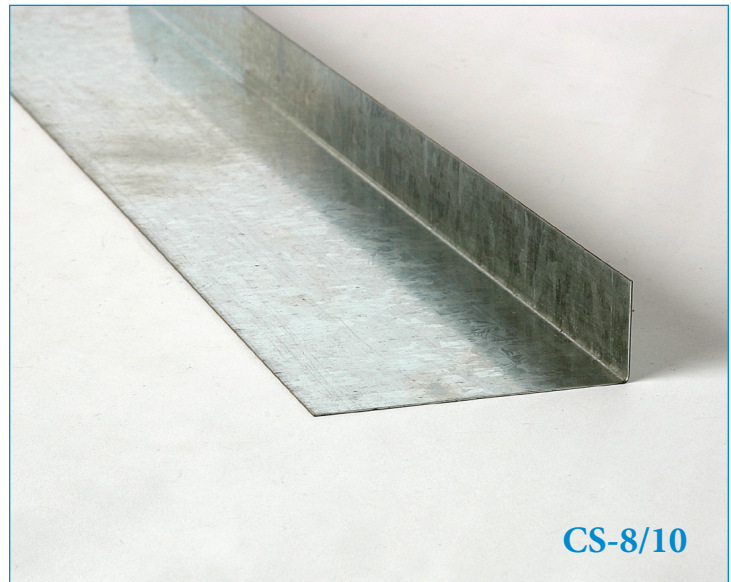
- CBC: Combo Clip; for use with flanged or unflanged register box.
- BCE: Industry Standard Boot Clip.
- BCM: Miami Tech Design Boot Clip.

Part No.	Length	Gauge	Qty.
BC-26M	26"	26ga	100
BC-26E	26"	26ga	100
CBC-26	26"	26ga	50



## HEAT SHIELD / COLLAR START

Part No.	Size	Gauge	Qty.
CS30-8	5-1/2" x 1/2" x 8'	30ga	200 ft
CS26-8	6" x 1-1/2" x 8'	26ga	200 ft
CS263-8	3" x 1" x 8'	26ga	200 ft
CS263-10	3" x 1" x 10'	26ga	200 ft
CS2675-8	6" x 3/4" x 8'	26ga	200 ft
CS223-10	3" x 1" x 10'	22ga	200 ft

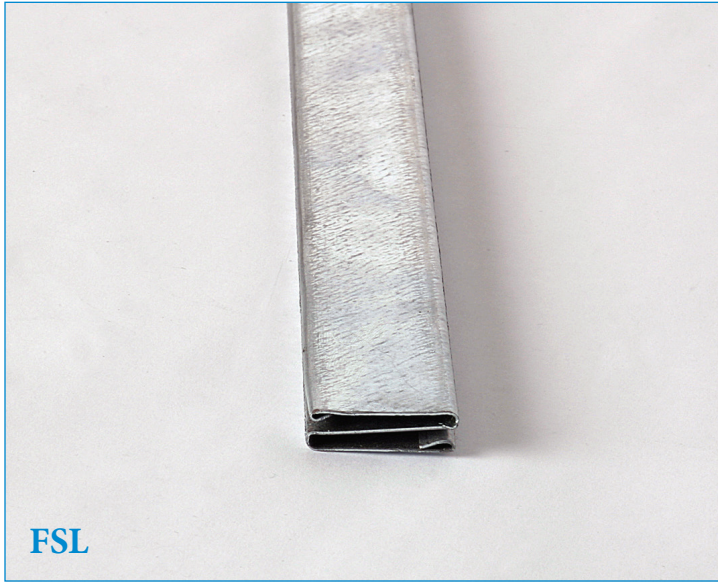


## DRIVE CLEAT

Part No.	Length	Gauge	Qty.
DRC26	1-1/8" x 10'	26ga	100 ft
DRC24	1-1/8" x 10'	24ga	100 ft



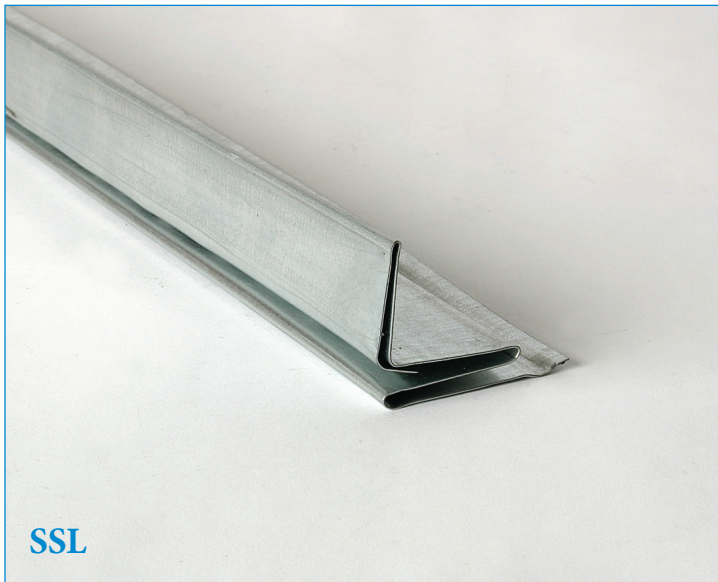




FSL

### FLAT S-LOCK

Part No.	Size	Gauge	Qty.
FSL26	10 ft	26ga	100 ft
FSL24	10 ft	24ga	100 ft



SSL

### STANDING S-LOCK

Part No.	Size	Gauge	Qty.
SSL26	10 ft	26ga	100 ft
SSL24	10 ft	24ga	100 ft



DC-150

### DUCT GRILLE CLIP

Product Information

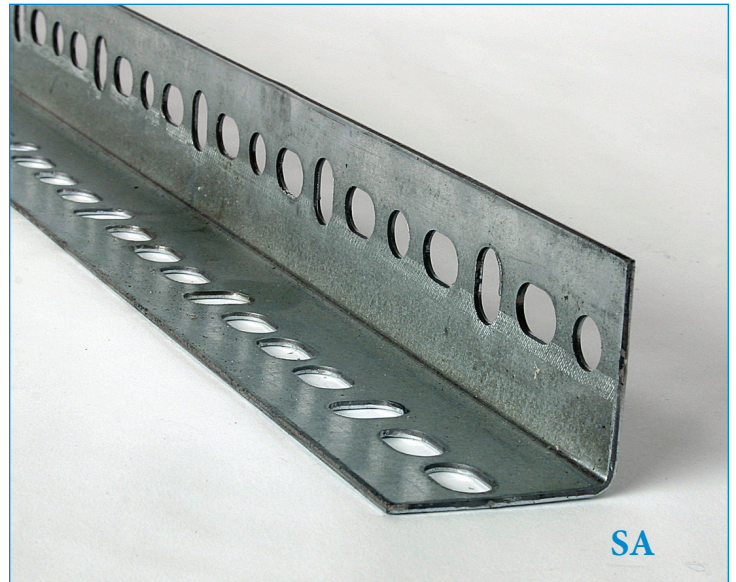
- Designed for R-4 & R-6 ductboard.
- Sold & packaged per box.

Part No.	Size	Gauge	Qty.
DC-150	1" x 5-7/8"	26ga	1 Box (100pcs)



## SLOTTED ANGLE IRON

Part No.	Size	Gauge	Qty.
SA10-16	1.5" x 1.5" x 10'	16ga	50 ft
SA10-14	1.5" x 1.5" x 10'	14ga	50 ft

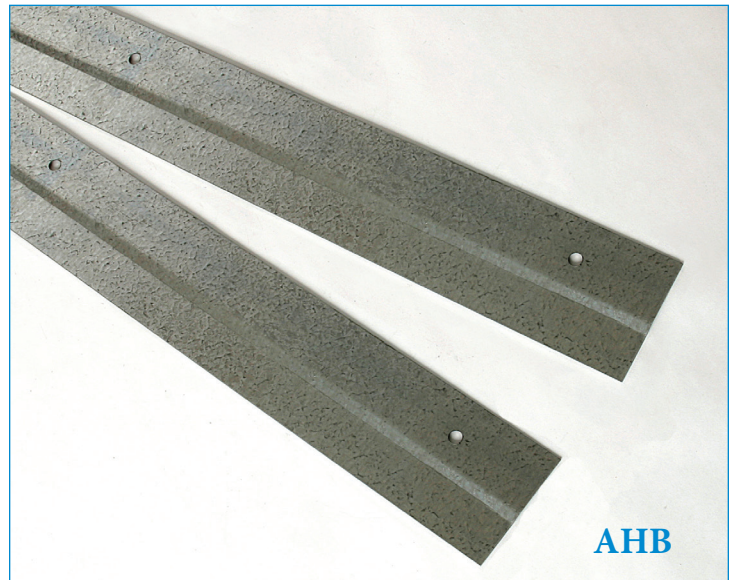


## AIR-HANDLER BRACKET

**Product Information**

- Sold in sets of 2pcs.
- Custom sizes available upon request.

Part No.	Size	Gauge	Quantity
AHB	2.25" x 20.75"	20ga	1 Set (2pcs)



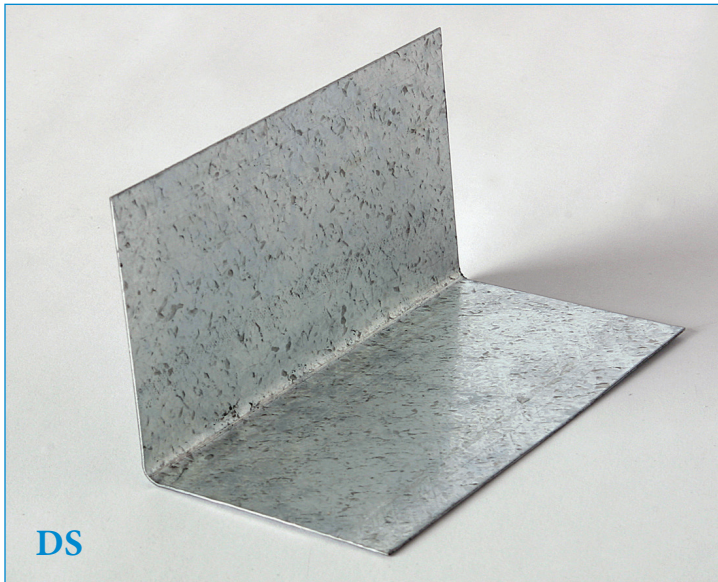
## HANGING STRAP

Part No.	Size	Gauge	Qty.
HS1030	1"	30ga	1 Box
HS1026	1"	26ga	1 Box
HS1022	1"	22ga	1 Box
HS1530	1.5"	30ga	1 Box
HS1526	1.5"	26ga	1 Box
HS1522	1.5"	22ga	1 Box
HS2030	2"	30ga	1 Box
HS2026	2"	26ga	1 Box
HS2022	2"	22ga	1 Box





FIBERGLASS DUCT SUPPORT / SADDLE

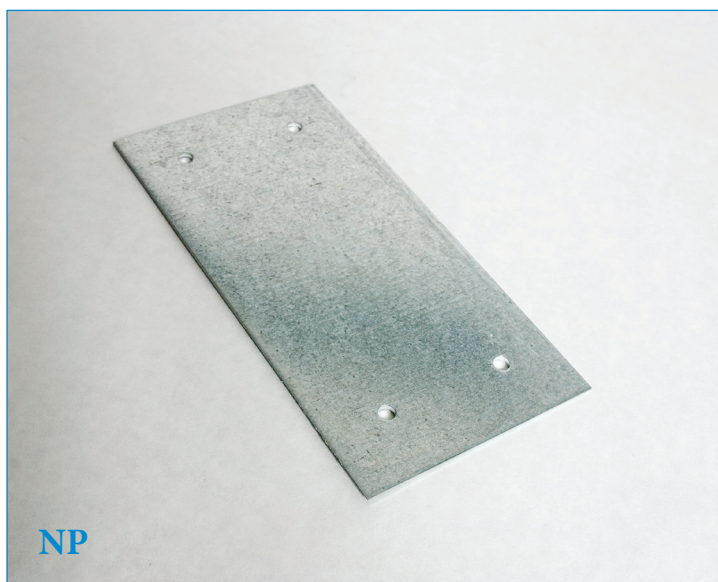


Part No.	Size	Gauge	Qty.
DS1	2" x 2" x 4"	22ga	1 Set (10pcs)



MIXING BOX BRACKET

Part No.	Size	Gauge	Qty.
MBB	8" x 12"	16ga/22ga	1



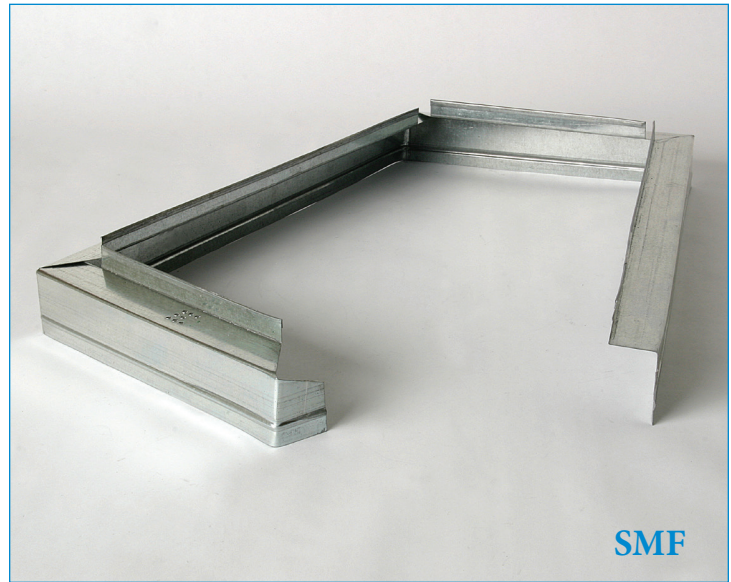
NAIL PLATE

Part No.	Size	Gauge	Qty.
NP36-16	3" x 6"	16ga	1
NP38-16	3" x 8"	16ga	1
NP36-22	3" x 6"	22ga	1
NP38-22	3" x 8"	22ga	1



## SHEET METAL FRAME

Part No.	Size	Gauge	Qty.
SMF0404	4" x 4"	28ga	1
SMF0604	6" x 4"	28ga	1
SMF0606	6" x 6"	28ga	1
SMF0804	8" x 4"	28ga	1
SMF0806	8" x 6"	28ga	1
SMF0808	8" x 8"	28ga	1
SMF1004	10" x 4"	28ga	1
SMF1006	10" x 6"	28ga	1
SMF1008	10" x 8"	28ga	1
SMF1010	10" x 10"	28ga	1
SMF1204	12" x 4"	28ga	1
SMF1206	12" x 6"	28ga	1
SMF1208	12" x 8"	28ga	1
SMF1210	12" x 10"	28ga	1
SMF1212	12" x 12"	28ga	1
SMF1406	14" x 6"	28ga	1
SMF1408	14" x 8"	28ga	1
SMF1414	14" x 14"	28ga	1

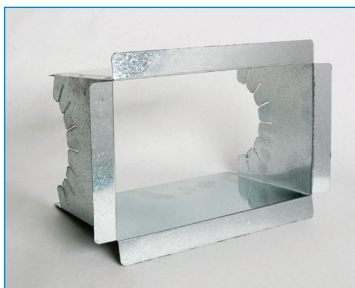
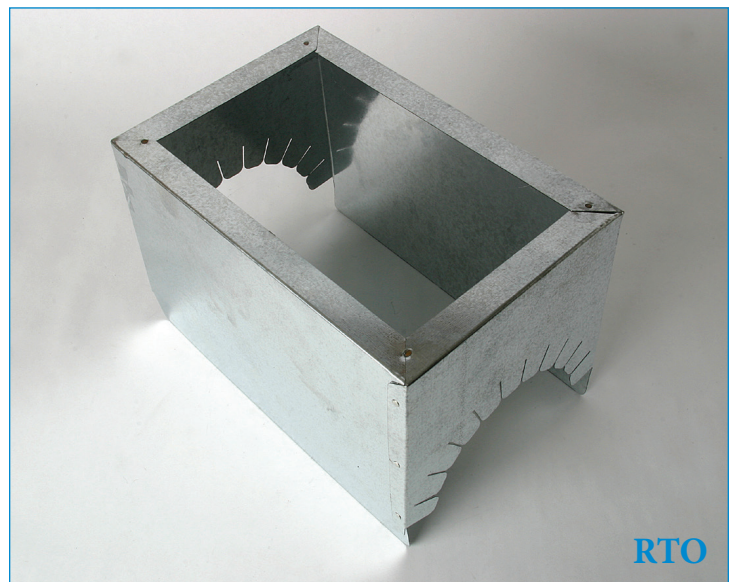


## REGISTER TAKE-OFF

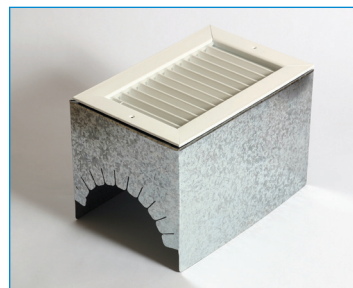
### Product Information

- RTO Flange: If the pipe diameter is at least 2" larger than the RTO height, flange will fold inward, otherwise flange will fold outward.
- Custom sizes available upon request.

Part No.	Grille Size	Duct Dia.	Gauge	Qty.
RTO848	8" x 4"	8"	26ga	1
RTO8410	8" x 4"	10"	26ga	1
RTO1068	10" x 6"	8"	26ga <td 1	
RTO10610	10" x 6"	10"	26ga	1
RTO1268	12" x 6"	8"	26ga	1
RTO12610	12" x 6"	10"	26ga	1
RTO1288	12" x 8"	8"	26ga	1
RTO12810	12" x 8"	10"	26ga	1



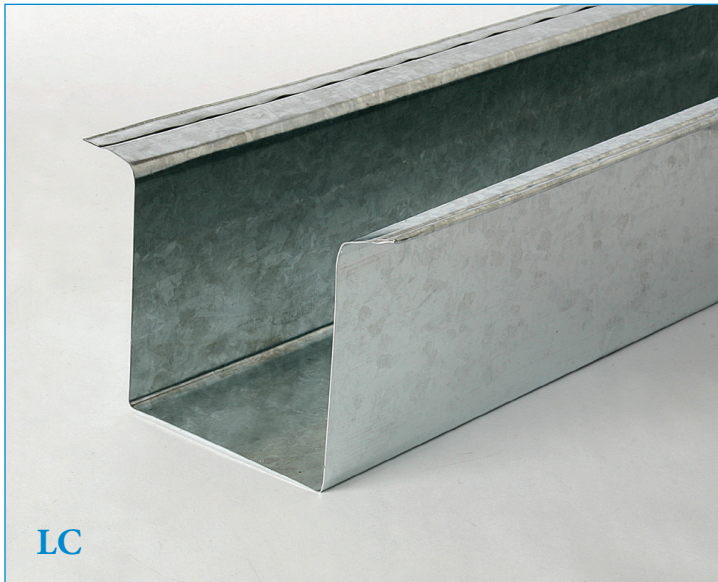
RTO shown with outward flange.



RTO shown with grille for illustration purposes only.

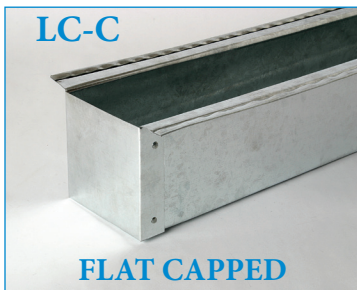


REFRIGERANT LINE COVER



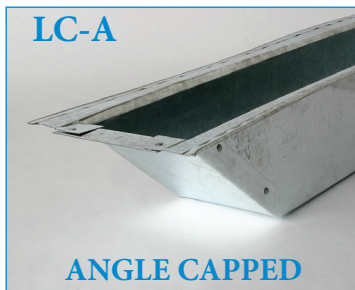
LC

Part No.	Size	Length	Cap	Gauge	Qty.
LC3-8	3" x 3" x 3"	8 ft	-	26ga	5
LC4-8	4" x 4" x 4"	8 ft	-	26ga	5
LC5-8	5" x 5" x 5"	8 ft	-	26ga	5
LC6-8	6" x 6" x 6"	8 ft	-	26ga	5
LC3-10	3" x 3" x 3"	10 ft	-	26ga	5
LC4-10	4" x 4" x 4"	10 ft	-	26ga	5
LC5-10	5" x 5" x 5"	10 ft	-	26ga	5
LC6-10	6" x 6" x 6"	10 ft	-	26ga	5
LC3-8C	3" x 3" x 3"	8 ft	Flat	26ga	2
LC4-8C	4" x 4" x 4"	8 ft	Flat	26ga	2
LC5-8C	5" x 5" x 5"	8 ft	Flat	26ga	2
LC6-8C	6" x 6" x 6"	8 ft	Flat	26ga	2
LC3-10C	3" x 3" x 3"	10 ft	Flat	26ga	2
LC4-10C	4" x 4" x 4"	10 ft	Flat	26ga	2
LC5-10C	5" x 5" x 5"	10 ft	Flat	26ga	2
LC6-10C	6" x 6" x 6"	10 ft	Flat	26ga	2
LC4A-8	4" x 4" x 4"	8 ft	Angle	26ga	2
LC4A-10	4" x 4" x 4"	10 ft	Angle	26ga	2



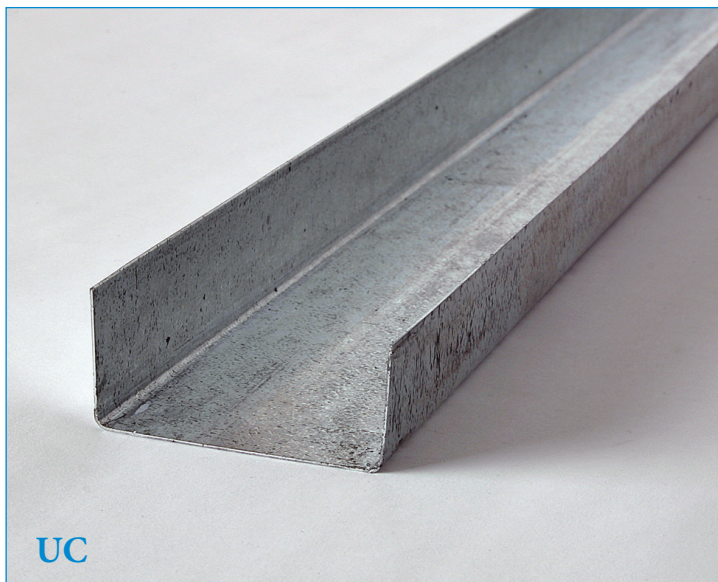
LC-C

FLAT CAPPED



LC-A

ANGLE CAPPED



UC

U-CHANNEL

Part No.	Size	Gauge	Qty.
UC-26	1" x 2" x 1"	26ga	100 ft
UC-22	1" x 2" x 1"	22ga	100 ft
UC-322	1" x 3" x 1"	22ga	100 ft



## FIXED FILTER RACK

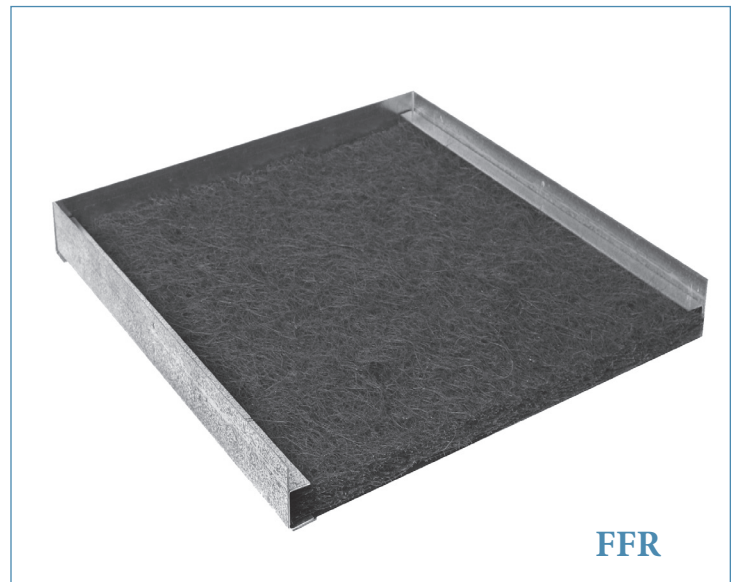
### Product Information

- Includes 1" hog hair filter with reinforced wires.
- 1/8" x 3/8" rubber strips included to minimize vibration.
- Pre-punched holes for easy fastening to air handler/base.
- All filter rack units are packaged in a box.

### Product Options

- FFRI: Insulated fixed filter rack for unconditioned space available upon request.

Part No.	Width	Height	Depth	Gauge	Qty.
FFR17.5RU	17-7/8"	2"	21.5"	16ga	1
FFR21RU	21-3/8"	2"	21.5"	16ga	1
FFR24RU	24-7/8"	2"	21.5"	16ga	1



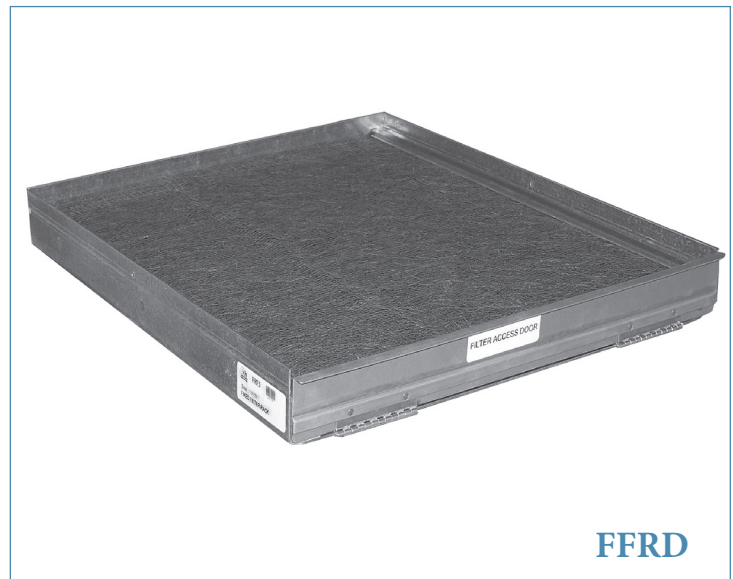
FFR

## FIXED FILTER RACK WITH DOOR

### Product Information

- Features a hinged access door.
- Includes 1" hog hair filter with reinforced wires.
- 1/8" x 3/8" rubber strips included to minimize vibration.
- Pre-punched holes for easy fastening to air handler/base.
- All filter rack units are packaged in a box.
- RU: For Rheem/Ruud Units.
- Y: For York Units.

Part No.	Width	Height	Depth	Gauge	Qty.
FFRD17.5RU	17-7/8"	2"	21.5"	16ga	1
FFRD21RU	21-3/8"	2"	21.5"	16ga	1
FFRD24RU	24-7/8"	2"	21.5"	16ga	1
FFRD17.5Y	17-7/8"	2"	21-7/8"	16ga	1
FFRD21Y	21-3/8"	2"	21-7/8"	16ga	1
FFRD24Y	24-7/8"	2"	21-7/8"	16ga	1
FFRD26Y	25-7/8"	2"	21-7/8"	16ga	1



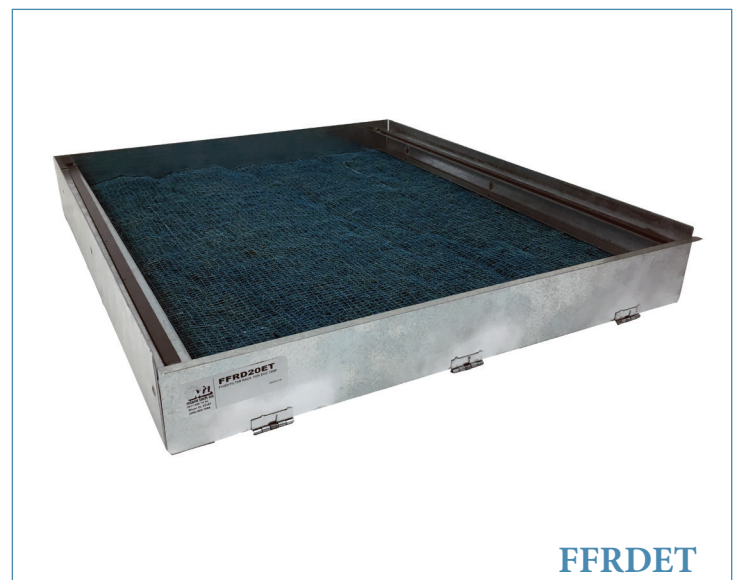
FFRD

## FIXED FILTER RACK WITH DOOR FOR ECO TEMP

### Product Information

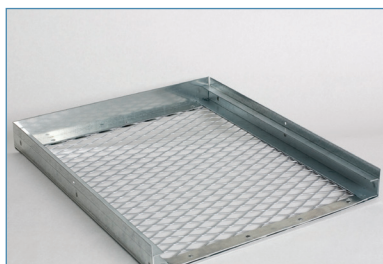
- Includes 1" hog hair filter with reinforced wires.
- 1/8" x 3/8" rubber strips included to minimize vibration.
- Pre-punched holes for easy fastening to air handler/base.
- All filter rack units are packaged in a box.

Part No.	Width	Height	Depth	Gauge	Qty.
FFRD20ET	20"	3"	17"	16ga	1
FFRD22ET	22"	3"	17"	16ga	1

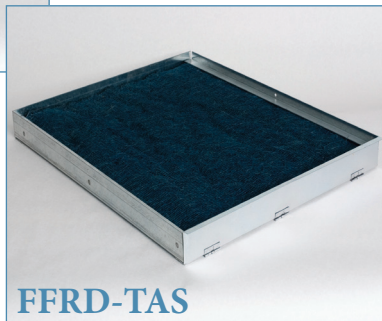


FFRDET





FFR-TAS



FFRD-TAS

## TRANE/AMERICAN STANDARD FIXED FILTER RACK

### Product Information

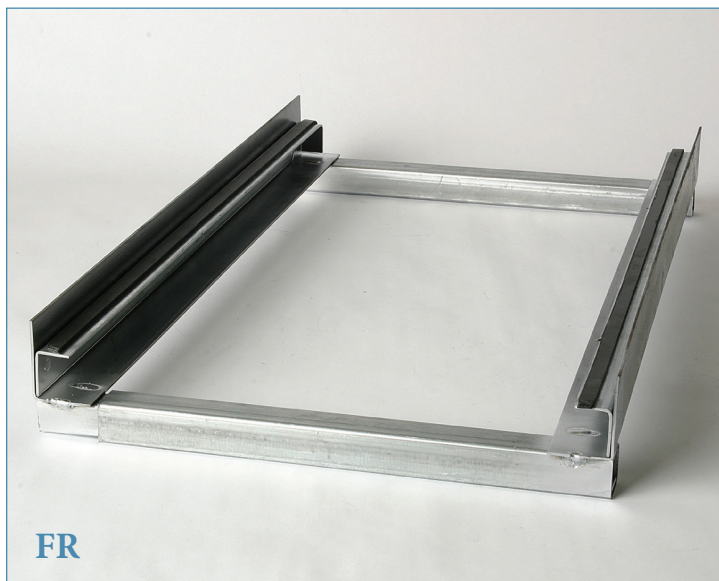
- Includes 1" hog hair filter with reinforced wires.
- Rubber strips included to minimize vibration.
- Pre-punched holes for easy fastening to air handler/base.
- FFRD model includes a spring-loaded hinged access door.
- All filter rack units are packaged in a box.

### Ordering Guidelines

When ordering filter rack with door, add a "D" to the FFR part no.  
Example: FFRD17.5TAS (includes spring-loaded hinged access door)

Part No.	W	H	D	Gauge	Qty.
FFR17.5TAS-SM*	17.5"	2"	22"	16ga	1
FFR19.75TAS	19.75"	2"	22"	16ga	1
FFR23TAS	23"	2"	23"	16ga	1

\* Includes safety mesh



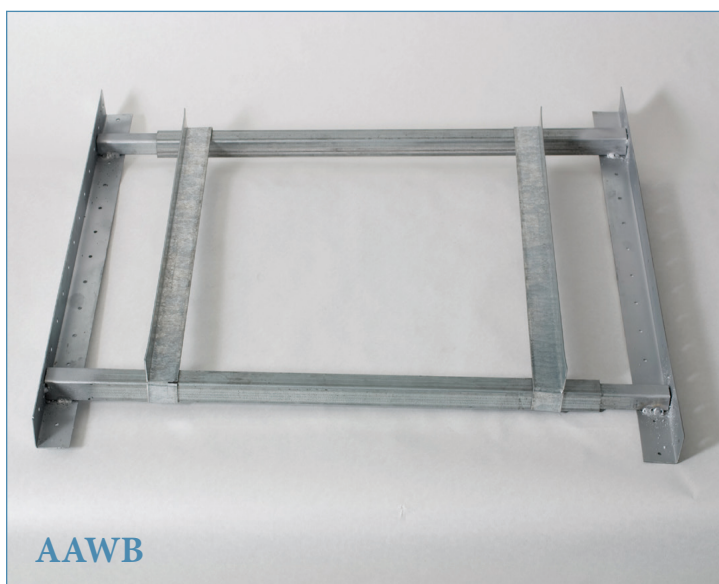
FR

## ADJUSTABLE FILTER RACK

### Product Information

- Rubber strips included to minimize vibration.
- Pre-punched holes for easy fastening to air handler/base.

Part No.	Filter Track	Width Adjusts	Depth	Gauge	Qty.
FR1N	1"	14"-25"	22"	14ga	1
FR1W	1"	17"-27"	22"	14ga	1
FR2N	2"	14"-25"	22"	14ga	1
FR2W	2"	17"-27"	22"	14ga	1



AAWB

## ADJUSTABLE AIR HANDLER WALL BRACKET

### Product Information

- Wall bracket is MIG welded and maintains required 4" clearance from rear wall.
- Accommodates units up to 30" wide and up to 350lbs in weight.
- Provides a space-saving solution for installations of air-handlers in a shared space with a water heater.
- Main Angle: 1.5" x 1.5" 16 gauge galvanized steel.
- Cross Tube: 1" x 1" x 13/16" 16 gauge galvanized steel tube.
- Guide Angle: 1" x 1" 26 gauge galvanized steel angle.
- Custom sizes available upon request.

Part No.	Width Adjusts	Depth	Qty.
AAWB26	20"-40"	26"	1



## MIAMI TECH CONDENSING UNIT TIE-DOWN KITS

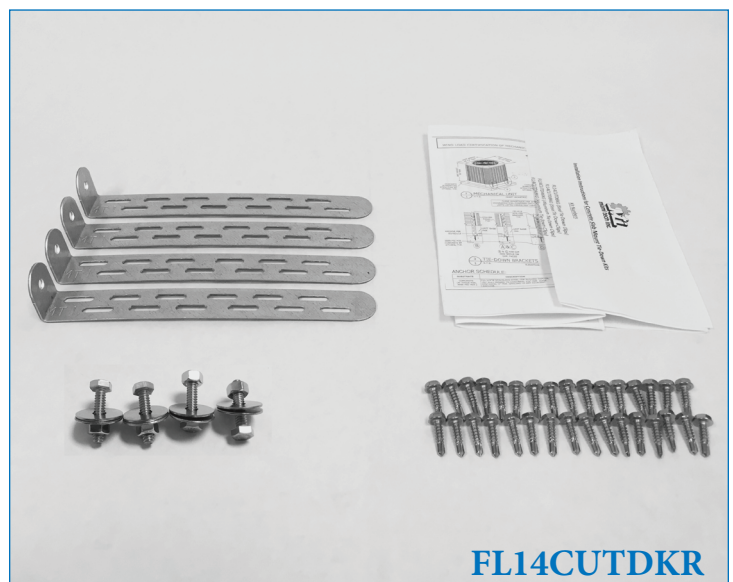
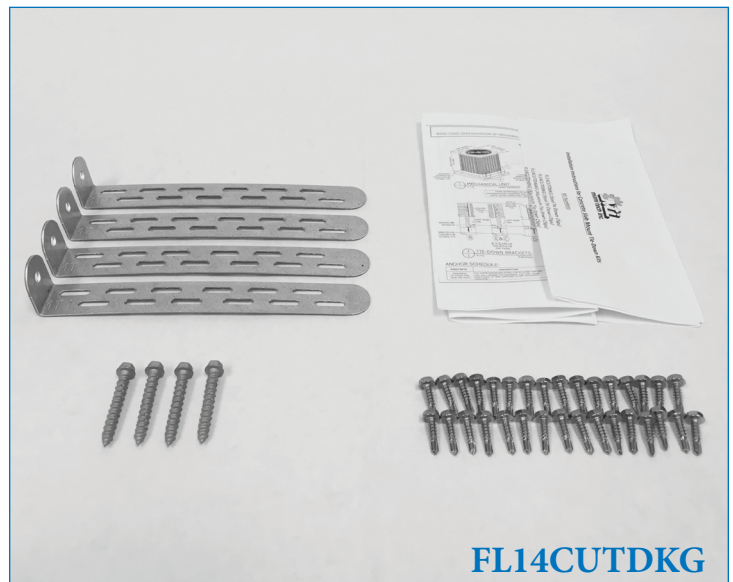
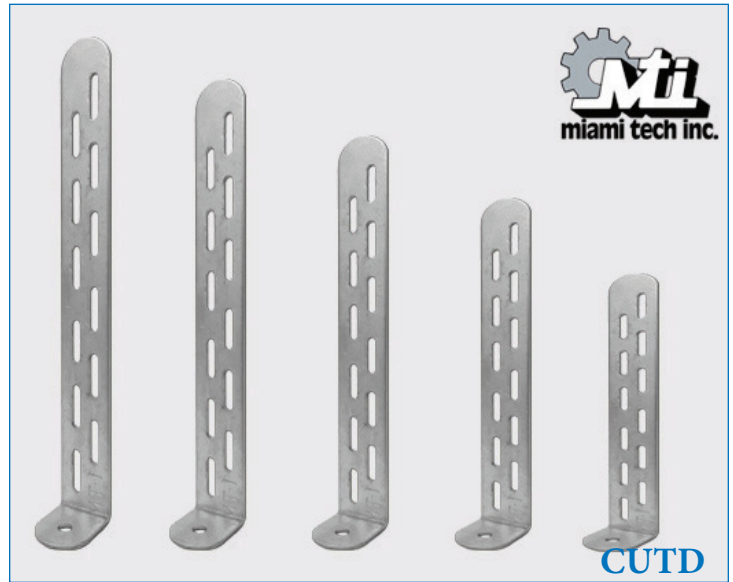
### Product Information

- Slotted design provides a universal mount.
- All certified tie-down kits are sold complete with stainless steel hardware.
- Florida State Approval #FL19731-R3.

Ground/Slab Mount Certified Tie-Down Kits		
Part No.	CUTD Type	Gauge
FL14CUTD6KG	Galvanized	14ga
FL14CUTD8KG	Galvanized	14ga
FL14CUTD10KG	Galvanized	14ga
FL14CUTD12KG	Galvanized	14ga
FL14CUTDA6KG	Aluminum	14ga
FL14CUTDA8KG	Aluminum	14ga
FL14CUTDA10KG	Aluminum	14ga
FL14CUTDA12KG	Aluminum	14ga

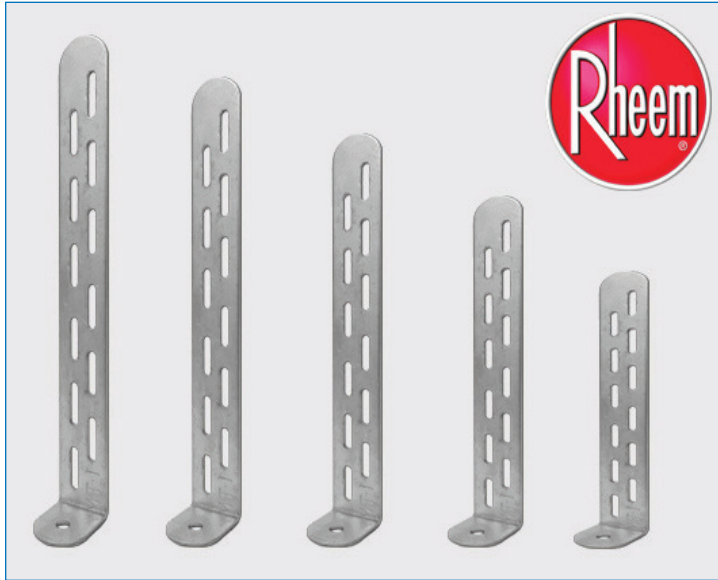
Roof-Top Rail Mount Wind Load Certified Tie-Down Kits		
Part No.	CUTD Type	Gauge
FL14CUTD6KR	Galvanized	14ga
FL14CUTD8KR	Galvanized	14ga
FL14CUTD10KR	Galvanized	14ga
FL14CUTD12KR	Galvanized	14ga
FL14CUTDA6KR	Aluminum	14ga
FL14CUTDA8KR	Aluminum	14ga
FL14CUTDA10KR	Aluminum	14ga
FL14CUTDA12KR	Aluminum	14ga

Non-Certified Tie-Downs			
Part No.	Size	Gauge	Qty.
CUTD4	1" x 4"	14ga	50pk (4pcs)
CUTD6	1" x 6"	14ga	50pk (4pcs)
CUTD4-B	1" x 4"	14ga	200pcs
CUTD6-B	1" x 6"	14ga	200pcs
CUTD8-B	1" x 8"	14ga	200pcs
CUTD11-B	1" x 11"	14ga	100pcs
CUTD14-B	1" x 14"	14ga	100pcs
CUTD18-B	1" x 18"	14ga	100pcs
CUTDA4	1" x 4"	Aluminum	50pk (4pcs)
CUTDA6	1" x 6"	Aluminum	50pk (4pcs)
CUTDA4-B	1" x 4"	Aluminum	200pcs
CUTDA6-B	1" x 6"	Aluminum	200pcs
CUTDA8-B	1" x 8"	Aluminum	200pcs
CUTDA11-B	1" x 11"	Aluminum	100pcs
CUTDA14-B	1" x 14"	Aluminum	100pcs
CUTDA18-B	1" x 18"	Aluminum	100pcs





## CONDENSING UNIT TIE-DOWN KITS FOR RHEEM/RUUD



### Product Information

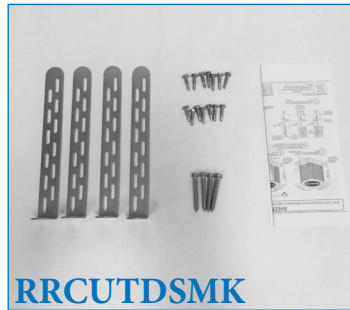
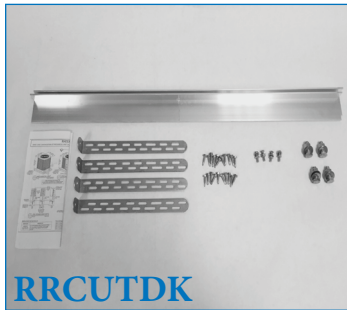
- Miami Tech is proud to offer condensing unit tie-down kits engineered specifically for Rheem/Ruud units.
- Engineering data available at [www.miamitech.com](http://www.miamitech.com).

### Roof Mount Wind Load Certified Tie-Down Kits

Part No.	CUTD Type	Mount Type
RRCUTD30K	Galvanized	Roof Mount
RRCUTD34K	Galvanized	Roof Mount
RRCUTD36K	Galvanized	Roof Mount

### Ground Mount Certified Tie-Down Kits

Part No.	CUTD Type	Mount Type
RRCUTDSMK	Galvanized	Ground Mount
RRCUTDASMK	Aluminum	Ground Mount
RRCUTDLK	Galvanized	Ground Mount
RRCUTDALK	Aluminum	Ground Mount



## CONDENSING UNIT TIE-DOWN KITS FOR TRANE/AMERICAN STANDARD



### Product Information

- Miami Tech is proud to offer condensing unit tie-down kits engineered specifically for Trane/American Standard units.
- Engineering data available at [www.miamitech.com](http://www.miamitech.com).

### Roof Mount Wind Load Certified Tie-Down Kits

Part No.	CUTD Type	Mount Type
TASSB30K	Galvanized	Roof Mount
TASSB36K	Galvanized	Roof Mount





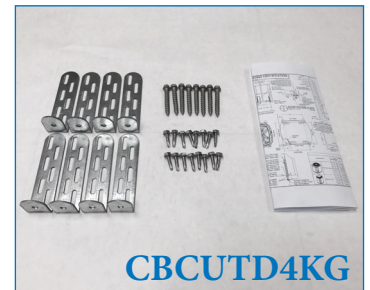
## CONDENSING UNIT TIE-DOWN KITS FOR CARRIER/BRYANT

Product Information

- Miami Tech is proud to offer condensing unit tie-down kits engineered specifically for Carrier/Bryant units.

Roof Mount Wind Load Certified Tie-Down Kits		
Part No.	CUTD Type	Mount Type
CBCUTD4KR	Galvanized	Roof/Rail Mount

Ground Mount Certified Tie-Down Kits		
Part No.	CUTD Type	Mount Type
CBCUTD4KG	Galvanized	Ground Mount

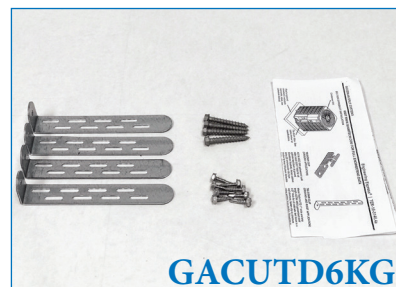


## CONDENSING UNIT TIE-DOWN KITS FOR DAIKIN

Product Information

- Miami Tech is proud to offer condensing unit tie-down kits engineered specifically for Daikin units.

Ground Mount Certified Tie-Down Kits		
Part No.	CUTD Type	Mount Type
GACUTD6KG	Galvanized	Ground





## TRANE/AMERICAN STANDARD AIR-HANDLER BASE

### Product Information

- Plastic capped feet to protect foundation surface.
- Pre-filter track accommodates a 1" thick air-filter (filter not included).
- Stands are individually boxed for easy inventory.

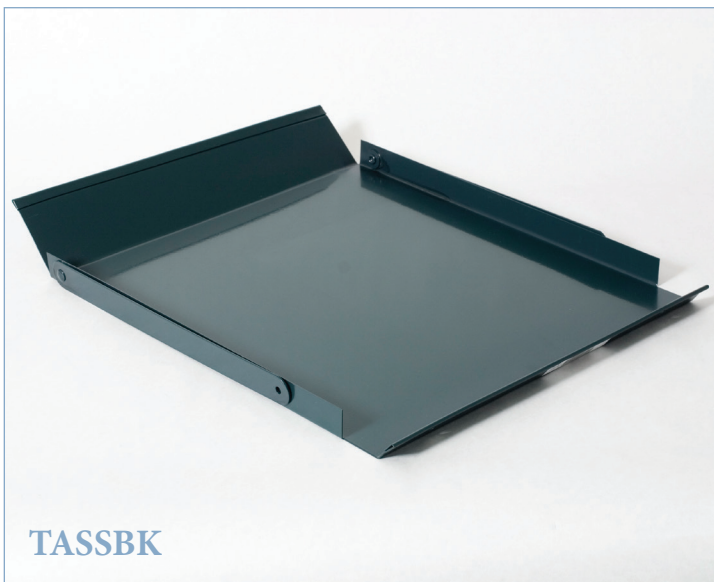
### Product Construction

- |                                     |   |
|-------------------------------------|---|
| <b>Frame:</b>                       | <b>Outside Casing:</b>                  |
| - 16 gauge 1" x 1" square tube.     | - 16 gauge ASTM A-653 hot-dipped steel. |
| - 16 gauge 1" x 1" steel angle.     | - 26 gauge ASTM A-653 hot-dipped steel. |
| - 20 gauge 1/2" x 1/2" steel angle. |   |

### Mesh:

- 13 gauge 1.75" x .75" expanded steel.

Part No.	Width	Height	Depth	Qty.
TASB175	17-5/8"	17.25"	21"	1
TASB215	21-5/8"	17.25"	21"	1
TASB235	23-5/8"	17.25"	21"	1



## TRANE/AMERICAN STANDARD AIR-HANDLER BASE SOUND BAFFLE KIT

### Product Information

- Fully powder coated to give a long lasting corrosion resistant finish.
- Installs in just minutes using the provided four #10 sheet metal screws.
- Packaged in a 2" high box for easy transport and storage.

### Product Construction

#### Body:

- 20 gauge powder-coated galvanized steel.
- 14 gauge powder-coated galvanized steel.

Part No.	Width	Qty.
TASSBK175	14.75"	1
TASSBK215	18.75"	1
TASSBK235	20.75"	1



## TRANE/AMERICAN STANDARD SIDE RETURN KIT

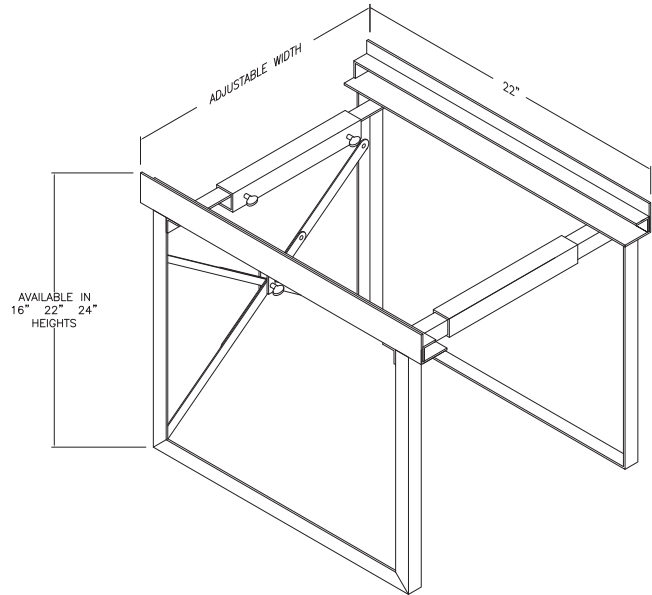
### Product Information

- Designed to offer the end user flexibility and convenience in the installation of Trane and American Standard air handlers.
- Filter rack designed for widely available 16" x 20" x 1" filters.
- Individually boxed with installation instructions included.

Part No.	Size	Gauge	Qty.
MTISRKIT1620	16" x 20"	26ga	1



## HEAVY DUTY ADJUSTABLE AIR HANDLER BASE MODEL HAB



### Product Information

- Standard 22" depth with filter rack.
- Air handler features adjustable width.
- Rated to support air handler units up to 200lbs.
- Rating tested by Construction Research Laboratory, Inc.
- All HAB stands are packaged in a 24" x 24" x 3" box.
- US Patent No. 5,308,037.

### Product Construction

#### Legs:

- 16 gauge steel.

#### Height:

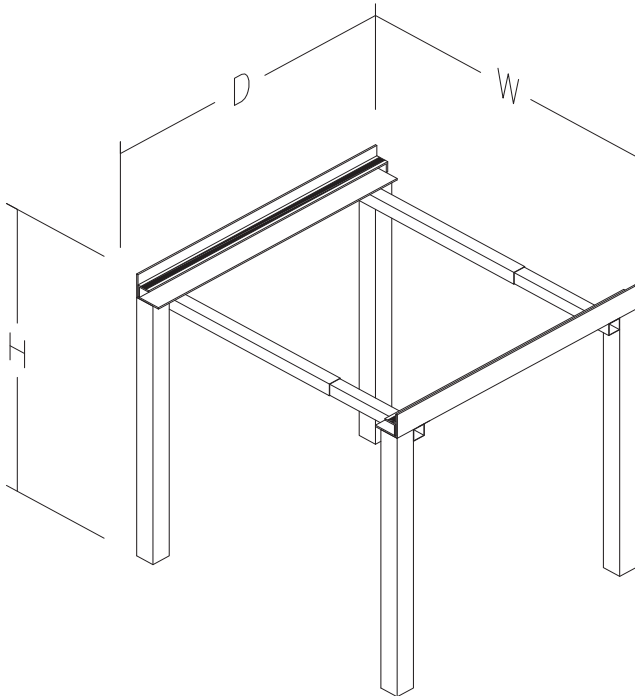
- Add 1.5" to leg height for total base height.

#### Adjustable Width Types:

- Narrow Frame (N): 14" to 25".
- Wide Frame (W): 17" to 27".

Part No.	Height / Frame Type	Qty.
HAB22/16N	16" / Narrow Frame	1
HAB22/16W	16" / Wide Frame	1
HAB22/22N	22" / Narrow Frame	1
HAB22/22W	22" / Wide Frame	1
HAB22/24N	24" / Narrow Frame	1
HAB22/24W	24" / Wide Frame	1

## STEEL HEAVY DUTY ECONOMICAL ADJUSTABLE AIR HANDLER BASE MODEL HEB



### Product Information

- Standard 22" depth with filter rack.
- Filter rack is included.
- Plastic 1" caps in upper and lower leg openings.
- 1/8" x 3/8" rubber strips included to minimize vibration.
- Air handler features adjustable width.

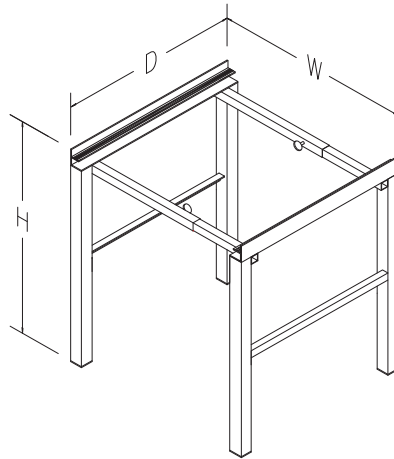
### Product Construction

- Legs:
- 16 gauge steel.
- Frame:
- 14 gauge steel.
- Adjustable Width Types:
- Narrow Frame (N): 14" to 24".
  - Wide Frame (W): 17" to 27".

Part No.	Height / Frame Type	Qty.
HEB18N	18" / Narrow Frame	1
HEB18W	18" / Wide Frame	1
HEB24N	24" / Narrow Frame	1
HEB24W	24" / Wide Frame	1



## ALUMINUM HEAVY DUTY ECONOMICAL ADJUSTABLE AIR HANDLER BASE MODEL AHEB



### Product Information

- Standard 22" depth with filter rack.
- Air handler features adjustable width.
- 1/8" x 3/8" rubber strips included to minimize vibration.
- No assembly required.
- Custom sizes are available upon request.
- 25 units per skid.

### Product Construction

#### Material:

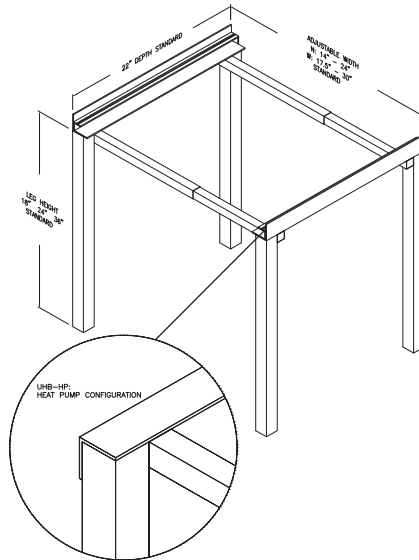
- 6003-T5 aluminum.

#### Adjustable Width:

- W: 16" to 26"

Part No.	Stand Size ( H x D x W )
AHEB1720W	17.5" x 20" x W (16" to 26")
AHEB1722W	17.5" x 22" x W (16" to 26")
AHEB1727W	17.5" x 27" x W (16" to 26")
AHEB2422W	24" x 22" x W (16" to 26")
AHEB2722W	27" x 22" x W (16" to 26")

## ULTRA HEAVY-DUTY ADJUSTABLE AIR HANDLER BASE MODEL UHB



### Product Information

- Standard 22" depth with filter rack.
- Filter rack is included.
- No assembly required.
- Plastic caps in lower leg openings.
- 1/8" x 3/8" rubber strips included to minimize vibration.
- Air handler features adjustable width.
- Custom sizes are available upon request.
- 20 stands per skid.

### Product Construction

#### Legs:

- 1.5" x 1.5" x 16ga galvanized steel tubing.

#### Frame:

- 2" x 2" x 1/8" steel angles.

#### Adjustable Width Types:

- Narrow Frame (N): 14" to 24".
- Wide Frame (W): 17.5" to 30".

Part No.	Height / Frame Type	Qty.
UHB18N	18" / Narrow Frame	1
UHB18W	18" / Wide Frame	1
UHB24N	24" / Narrow Frame	1
UHB24W	24" / Wide Frame	1
UHB36N	36" / Narrow Frame	1
UHB36W	36" / Wide Frame	1

## ALUMINUM CONDENSING UNIT STAND FOR NON-HVHZ ZONE

### Product Information

- Engineered specifically for use outside of high velocity hurricane zones. (HVHZ = Miami-Dade County & Broward County).
- Available with optional cross-mounting angle.
- Available with optional lead boots.
- Available with optional electrical box mounting bracket (EMB).
- Available with optional vibration pad to isolate vibration from condensing unit.
- Engineer's raised-seal drawings available.
- Florida State Approval #FL21464-R2.
- Engineering backed calculator available at [www.miamitech.com](http://www.miamitech.com).
- Post pair spread: 27"-42"



Part No.	AST 18.5" Stand Assembly	Height
AST185Q-K3	Aluminum C/U Stand, 18.5" Legs (2 Frames), 1/4 Plate, 3' I-Beam, For Non-HVHZ	18.5"
AST185Q-K6	Aluminum C/U Stand, 18.5" Legs (2 Frames), 1/4 Plate, 6' I-Beam, For Non-HVHZ	18.5"
AST185Q-K9	Aluminum C/U Stand, 18.5" Legs (3 Frames), 1/4 Plate, 9' I-Beam, For Non-HVHZ	18.5"
AST185Q-K12	Aluminum C/U Stand, 18.5" Legs (4 Frames), 1/4 Plate, 12' I-Beam, For Non-HVHZ	18.5"
AST185Q-K15	Aluminum C/U Stand, 18.5" Legs (5 Frames), 1/4 Plate, 15' I-Beam, For Non-HVHZ	18.5"
AST185Q-K18	Aluminum C/U Stand, 18.5" Legs (6 Frames), 1/4 Plate, 18' I-Beam, For Non-HVHZ	18.5"
Part No.	AST 24" Stand Assembly	Height
AST240Q-K3	Aluminum C/U Stand, 24" Legs (2 Frames), 1/4 Plate, 3' I-Beam, For Non-HVHZ	24"
AST240Q-K6	Aluminum C/U Stand, 24" Legs (2 Frames), 1/4 Plate, 6' I-Beam, For Non-HVHZ	24"
AST240Q-K9	Aluminum C/U Stand, 24" Legs (3 Frames), 1/4 Plate, 9' I-Beam, For Non-HVHZ	24"
AST240Q-K12	Aluminum C/U Stand, 24" Legs (4 Frames), 1/4 Plate, 12' I-Beam, For Non-HVHZ	24"
AST240Q-K15	Aluminum C/U Stand, 24" Legs (5 Frames), 1/4 Plate, 15' I-Beam, For Non-HVHZ	24"
AST240Q-K18	Aluminum C/U Stand, 24" Legs (6 Frames), 1/4 Plate, 18' I-Beam, For Non-HVHZ	24"
Part No.	AST 30" Stand Assembly	Height
AST300Q-K3	Aluminum C/U Stand, 30" Legs (2 Frames), 1/4 Plate, 3' I-Beam, For Non-HVHZ	30"
AST300Q-K6	Aluminum C/U Stand, 30" Legs (2 Frames), 1/4 Plate, 6' I-Beam, For Non-HVHZ	30"
AST300Q-K9	Aluminum C/U Stand, 30" Legs (3 Frames), 1/4 Plate, 9' I-Beam, For Non-HVHZ	30"
AST300Q-K12	Aluminum C/U Stand, 30" Legs (4 Frames), 1/4 Plate, 12' I-Beam, For Non-HVHZ	30"
AST300Q-K15	Aluminum C/U Stand, 30" Legs (5 Frames), 1/4 Plate, 15' I-Beam, For Non-HVHZ	30"
AST300Q-K18	Aluminum C/U Stand, 30" Legs (6 Frames), 1/4 Plate, 18' I-Beam, For Non-HVHZ	30"

Part No.	Post Pairs	Size
AST185Q	Aluminum C/U 18.5" Post Pairs	18.5"
AST240Q	Aluminum C/U 24" Post Pairs	24"
AST300Q	Aluminum C/U 30" Post Pairs	30"

Part No.	I-Beams	Size
ASTI-3	Aluminum I-Beam, 3'	3'
ASTI-6	Aluminum I-Beam, 6'	6'
ASTI-9	Aluminum I-Beam, 9'	9'
ASTI-12	Aluminum I-Beam, 12'	12'
ASTI-15	Aluminum I-Beam, 15'	15'
ASTI-18	Aluminum I-Beam, 18'	18'





## ALUMINUM TELESCOPING CONDENSING UNIT STAND MODEL AS14



**AS14**

### Product Information

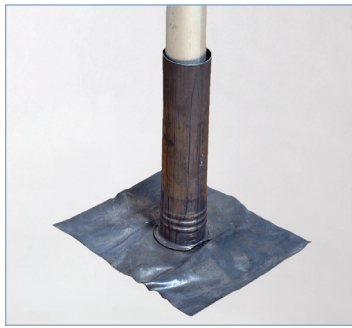
- Florida Building Code 2020 7th Edition Compliant.
- Florida Product Approval FL24546-R1
- **Miami-Dade NOA #20-1013.03**
- Engineered to accommodate the larger SEER 13 units.
- Available with optional vibration pad to isolate vibration from condensing unit.
- Available with optional cross-mounting angle (AS14CAB).
- Available with optional lead boots (LB).
- Available with optional electrical box mounting bracket (EMB).
- Engineer's raised-seal drawings available.
- Protected under US Patent No. 9,052,120.

### Product Construction

- Body:
- All aluminum 6061-T6 alloy construction.
- Legs:
- Patented webbed posts.

Part No.	Standard AS14 Leg Assembly	Size
AS14S18	Standard Aluminum Stand Leg Assembly, 2020 FBC 20-30" spread, 18" tall	18"
AS14S24	Standard Aluminum Stand Leg Assembly, 2020 FBC 20-30" spread, 24" tall	24"
AS14S30	Standard Aluminum Stand Leg Assembly, 2020 FBC 20-30" spread, 30" tall	30"
Part No.	Heavy Duty AS14 Leg Assembly	Size
AS14H18	Heavy Duty Aluminum Stand Leg Assembly, 2020 FBC 36-42" spread, 18" tall	18"
AS14H24	Heavy Duty Aluminum Stand Leg Assembly, 2020 FBC 36-42" spread, 24" tall	24"
AS14H30	Heavy Duty Aluminum Stand Leg Assembly, 2020 FBC 36-42" spread, 30" tall	30"

## AS14 OPTIONS



**Lead Boot Option**  
The lead boot is a commonly used item in the roofing industry. When the roof will have lightweight concrete poured over the base plates, we recommend the usage of our lead boots as it acts as an isolator between the concrete and the aluminum to help prevent oxidation.





**Cross Mounting Angle Option**  
Our aluminum cross mounting angle allows us to extend the width of the stand up to 42" (center to center of beam). By widening the stance of the stand, we can achieve much higher PSF ratings for even the most stringent requirements. When a condensing unit is too narrow to sit on the required stand, a set of AS14CAB will allow for installation.



**Electrical Mounting Bracket (EMB) Option**  
Our optional electrical mounting bracket allows the contractor to mount the electrical box on our condenser stand in either a hanging or standing position. Clean and easy.

## TOOLS TO GET THE JOB DONE



Miami Tech, Inc.  
A/C Stand Post Tabulation  
Use With 5th FBC (2014) (NOA 15-0902...  
 ENGINEERING EXPRESS  
EngineeringExpress...

---

**COMPANY & CONTRACTOR INFORMATION**

Contractor Name:  Job Name:

Contractor Address:  Job Address:

---

**BUILDING & LOCATION INFORMATION**

Steps #

1 Exposure:  [How To Deter...](#)

2 Roof:  ft


3 Windspeed:  mph  
\* Refer to map to determine wind speed.

4 HVHZ:  [?](#)

Required Pressures:

Lateral:  psf

[South FL Windspeed L...](#)



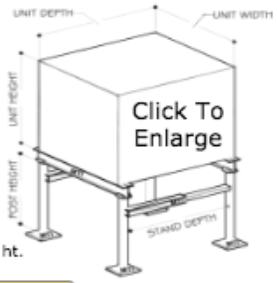
Click To Enlarge

---

**STAND & UNIT INFORMATION**

5 Unit Sizes (in) [Clear](#)

Unit	Width	Depth	Height
1	<input type="text"/>	<input type="text"/>	<input type="text"/>
2	<input type="text"/>	<input type="text"/>	<input type="text"/>
3	<input type="text"/>	<input type="text"/>	<input type="text"/>
4	<input type="text"/>	<input type="text"/>	<input type="text"/>
5	<input type="text"/>	<input type="text"/>	<input type="text"/>



Click To Enlarge

6 Post Height:  [Table](#)  
\* Refer to table to determine post ht.

7 Roof Deck/Anchor Type:

In collaboration with the best team at Engineering Express, Miami Tech is the first HVAC manufacturer to introduce an interactive calculator to the industry, allowing both, contractors and wholesalers, to plan out jobs in advance with engineer-backed accuracy. Not only are we the first in offering an interactive calculator, but also the first manufacturer with engineering data based-on real world applications, giving contractors the added confidence in knowing their job is backed by the best engineering data available.

CALCULATOR AVAILABLE AT [WWW.MIAMITECH.COM](http://WWW.MIAMITECH.COM)

Part No.	I-Beams	Size
AS14I-3	Aluminum Stand I-Beam, 2020 FBC, 3'	3'
AS14I-6	Aluminum Stand I-Beam, 2020 FBC, 6'	6'
AS14I-9	Aluminum Stand I-Beam, 2020 FBC, 9'	9'
AS14I-12	Aluminum Stand I-Beam, 2020 FBC, 12'	12'
AS14I-15	Aluminum Stand I-Beam, 2020 FBC, 15'	15'
AS14I-18	Aluminum Stand I-Beam, 2020 FBC, 18'	18'
Part No.	Cross Mounting Angle	Size
AS14CAB-30	3" x 3" x 1/8" In-Beam Cross Mounting Angle for 30" spread	30"
AS14CAB-36	3" x 3" x 1/8" In-Beam Cross Mounting Angle for 36" spread	36"
AS14CAB-42	3" x 3" x 1/8" In-Beam Cross Mounting Angle for 42" spread	42"





## MODEL AWB14 (WIND LOAD RATED) ALUMINUM CONDENSING UNIT WALL MOUNT BRACKET

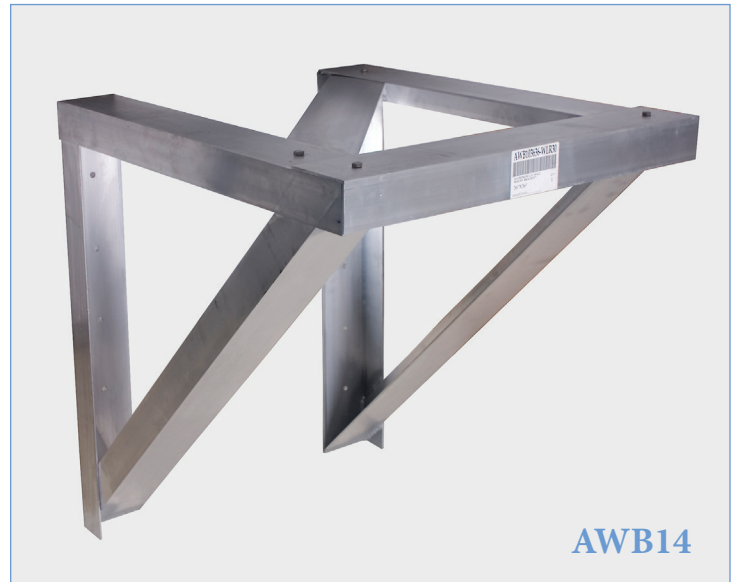
### Product Information

- Florida Building Code 2020 7th Edition Compliant.
- Rated for wind-loads up to 170 psf.
- Original raised-seal engineering drawings available at an additional cost.
- Optional vibration pad available
- Bracket Height: 36"

### Product Construction

- 6061-T6 alloy temper aluminum.

Part No.	Bracket Length	Bracket Spacing	Inner Spacing	Max Unit
AWB143036-WLR24	30"	24"	14"	30" x 30"
AWB143636-WLR30	36"	30"	20"	38" x 36"
AWB144836-WLR36	48"	36"	26"	45" x 48"



AWB14

## MODEL AWB (WIND LOAD RATED) ALUMINUM CONDENSING UNIT HEAVY DUTY WALL MOUNT BRACKET

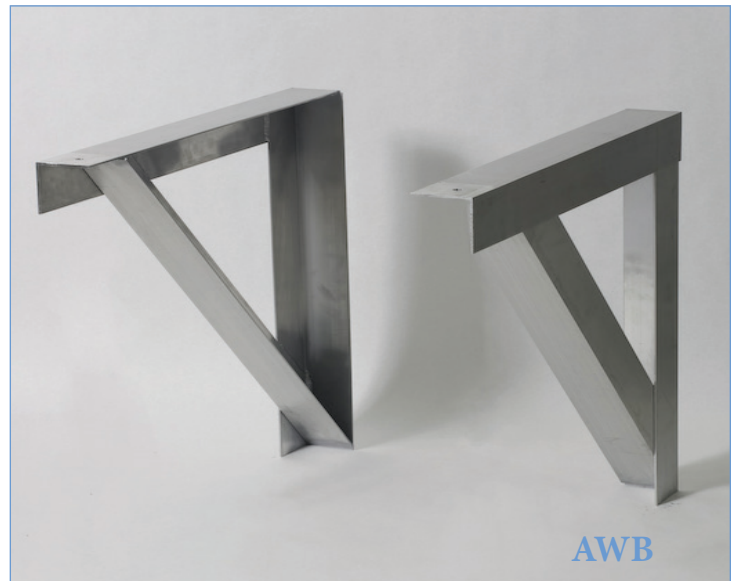
### Product Information

- Florida Building Code 2020 7th Edition Compliant.
- Rated for wind-loads up to 90 psf.
- Original raised-seal engineering drawings available at an additional cost.

### Product Construction

- 6061-T6 alloy temper aluminum.

Part No.	Bracket Length	Bracket Height	Max Unit (W x D x H)
AWB2418	24"	18"	30" x 20" x 30"
AWB3630	36"	30"	30" x 30" x 35"
AWB4836	48"	36"	36" x 36" x 40"



AWB

## ALUMINUM PIPE STAND

### Product Information

- Pipe stand features a 1/4" thick baseplate for solid support.
- Heavy duty welds at base provides superior strength.
- No field welding required.

### Product Models

- APSS: Standard Pipe Stand (Includes 1 Supporting Angle).
- APSH: Heavy-Duty Pipe Stand (Includes 2 Supporting Angles).

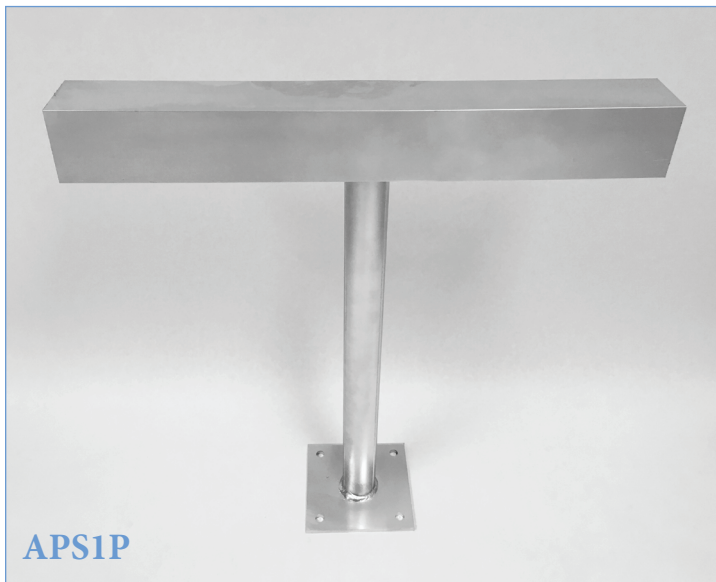
### Product Construction

- 6061-T6 alloy temper aluminum.

Standard	Heavy-Duty	Size (W x H)	Qty.
APSS20-18	APSH20-18	18" x 20"	1
APSS20-24	APSH20-24	24" x 20"	1
APSS20-36	APSH20-36	36" x 20"	1
APSS26-18	APSH26-18	18" x 26"	1
APSS26-24	APSH26-24	24" x 26"	1
APSS26-36	APSH26-36	36" x 26"	1



APS



APS1P

## SINGLE LEG ALUMINUM PIPE STAND

### Product Information

- Pipe stand features a 1/4" thick baseplate for solid support.
- Heavy duty welds at base provides superior strength.
- No field welding required.
- Custom sizes available upon request.

Part No.	Height	Support Angle Width	Qty.
APS1P18-12	18"	12"	1
APS1P18-18	18"	18"	1
APS1P18-20	18"	20"	1
APS1P24-12	24"	12"	1
APS1P24-18	24"	18"	1
APS1P24-20	24"	20"	1
APS1P30-12	30"	12"	1
APS1P30-18	30"	18"	1
APS1P30-20	30"	20"	1



CUCRR

## CONDENSING UNIT CAGE

### Product Information

- Powder-coated galvanized steel for long-term resistance and MIG welded.
- Ships knocked-down for easy storage and transportation.
- Removable top and side for easy service access.
- Pivot design allows for total access of condensing unit.
- 10" clearance between cage and slab for electrical and refrigerant lines.
- 3" clearance between cage and slab on all other sides.
- Padlocks included. Anchoring hardware not included.

### Product Construction

- 16ga galvanized steel tubes.

Part No.	Size (H x D x W)	Gauge	Quantity
CUC403434RR	40" x 34" x 34"	16ga	1
CUC524040RR	52" x 40" x 40"	16ga	1



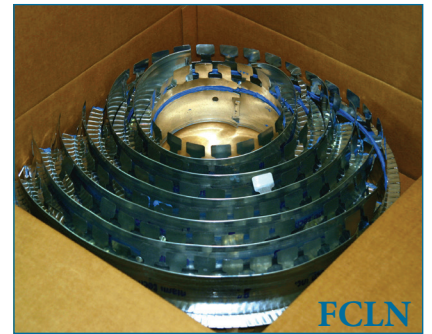
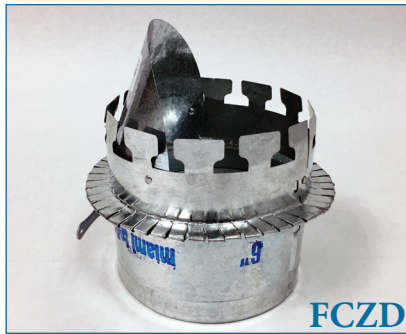
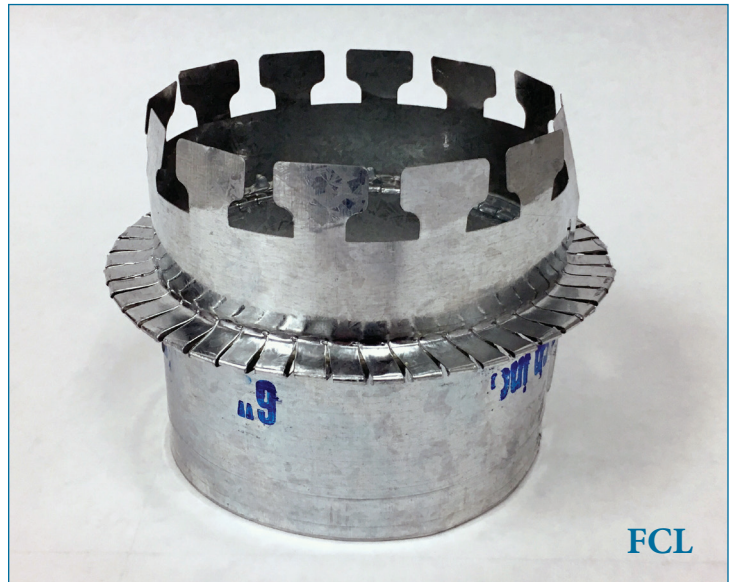
## TAB COLLARS FOR FIBERGLASS

### Product Information

- FCL designed to accommodate R-4 & R-6 ductboard.
- R8-FCL designed to accommodate R-8 ductboard.
- 180° hemmed circumference and no raw edges.
- FCL flange dimension (.700") exceeds Florida Building code requirement of .625" (FL Building Code # 603.5.6).

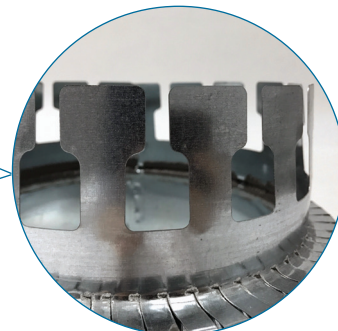
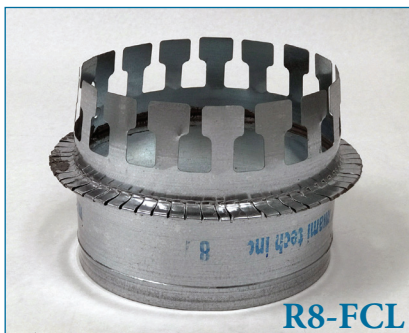
### Product Models

- FCL: One piece wide tab collar for R-4 or R-6 ductboard.
- R8-FCL: One piece wide tab collar for R-8 ductboard.
- FCZ: One piece wide tab collar with scoop.
- FCD: One piece wide tab collar with damper.
- FCZD: One piece wide tab collar with scoop and damper.
- FCLG: One piece wide tab collar with gasket.
- FCLN: Nested one piece wide tab collar.
- CG: Gasket only.
- FCD-SOE: FCD with Miami Tech's 2" stand-off.
- FCZD-SOE: FCZD with Miami Tech's 2" stand-off.
- Refer to page 33 for more details on collar options.



### Case Quantities

Size	FCL	FCZ	FCD	FCZD	FCLN	CG	R8-FCL	R8-FCZ	R8-FCD	R8-FCZD	Gauge
4"	100	80	100	80	40	80	100	80	100	80	30ga
5"	100	70	100	70	36	80	100	70	100	70	30ga
6"	75	60	75	60	36	80	75	60	75	60	30ga
7"	60	50	60	50	28	80	60	50	60	50	30ga
8"	50	40	50	40	22	80	50	40	50	40	30ga
9"	40	30	40	30	20	80	40	30	40	30	28ga
10"	40	30	40	30	16	80	40	30	40	30	28ga
12"	25	20	25	20	24	80	25	20	25	20	28ga
14"	20	15	20	15	20	80	20	15	20	15	28ga
16"	15	15	15	12	16	80	15	15	15	12	28ga
18"	15	10	15	8	14	80	15	10	15	8	28ga
20"	15	10	15	6	12	80	15	10	15	6	28ga



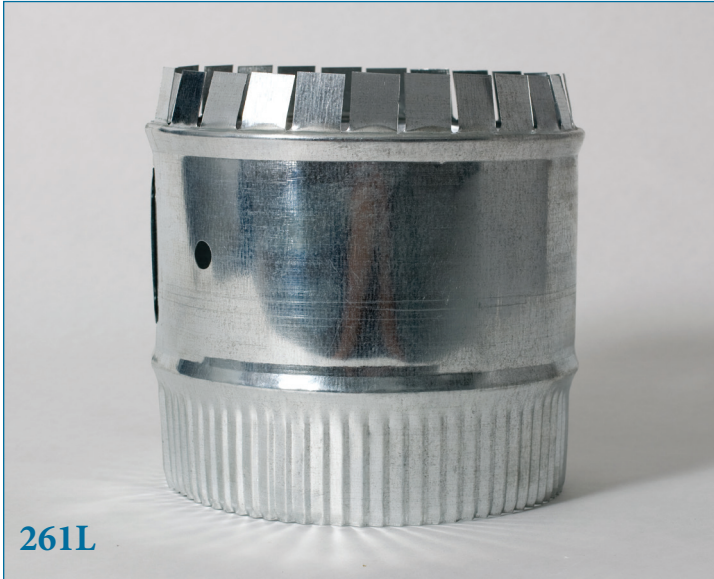
## 261 COLLAR

### Product Information

- Body mechanically fastened together to ensure a rigid assembly.

### Product Models

- 261L: 6" long starting collar plain.
- 261LZ: 6" long starting collar with scoop only.
- 261LD: 6" long starting collar with damper only.
- 261LZD: 6" long starting collar with scoop and damper.
- 261LD-SO: 261LD with standard 2" stand-off.
- 261LD-SOE: 261LD with Miami Tech's 2" stand-off.
- 261LZD-SO: 261LZD with standard 2" stand-off.
- 261LZD-SOE: 261LZD with Miami Tech's 2" stand-off.
- Refer to page 33 for more details on collar options.



261L



261LZD



261LD

Size	261L	261LZ	261LD	261LZD	Gauge	Quantity
4"	261L04	261LZ04	261LD04	261LZD04	28ga	1
5"	261L05	261LZ05	261LD05	261LZD05	28ga	1
6"	261L06	261LZ06	261LD06	261LZD06	28ga	1
7"	261L07	261LZ07	261LD07	261LZD07	28ga	1
8"	261L08	261LZ08	261LD08	261LZD08	28ga	1
9"	261L09	261LZ09	261LD09	261LZD09	28ga	1
10"	261L10	261LZ10	261LD10	261LZD10	28ga	1
12"	261L12	261LZ12	261LD12	261LZD12	26ga	1
14"	261L14	261LZ14	261LD14	261LZD14	26ga	1
16"	261L16	261LZ16	261LD16	261LZD16	26ga	1
18"	261L18	261LZ18	261LD18	261LZD18	26ga	1
20"	261L20	261LZ20	261LD20	261LZD20	26ga	1



## SPIN-IN COLLAR FOR FIBERGLASS DUCT

### Product Information

- Mechanically riveted body.
- R-6 standard unless specified. Available for R-4 or R-6 ductboard.
- Spin-in groove fabricated into body to ensure accurate inlet diameter.
- Clamp bend and pipe crimp facilitate quick and secure field installation.

Size	FSC-1	FSC-4	FSC-5	FSC-6	Qty
4"	FSC4-1	FSC4-4	FSC4-5	FSC4-6	1
5"	FSC5-1	FSC5-4	FSC5-5	FSC5-6	1
6"	FSC6-1	FSC6-4	FSC6-5	FSC6-6	1
7"	FSC7-1	FSC7-4	FSC7-5	FSC7-6	1
8"	FSC8-1	FSC8-4	FSC8-5	FSC8-6	1
10"	FSC10-1	FSC10-4	FSC10-5	FSC10-6	1
12"	FSC12-1	FSC12-4	FSC12-5	FSC12-6	1
14"	FSC14-1	FSC14-4	FSC14-5	FSC14-6	1
16"	FSC16-1	FSC16-4	FSC16-5	FSC16-6	1
18"	FSC18-1	FSC18-4	FSC18-5	FSC18-6	1
20"	FSC20-1	FSC20-4	FSC20-5	FSC20-6	1

### Product Models

- FSC-1: Spin-in collar for fiberglass.
- FSC-4: Spin-in collar for fiberglass with scoop.
- FSC-5: Spin-in collar for fiberglass with damper.
- FSC-6: Spin-in collar for fiberglass with scoop and damper.
- FSC-R4: FSC for R-4 ductboard.
- FSC-HD: FSC with heavy-duty hardware.
- FSC-SO: FSC with standard 2" stand-off.
- FSC-SOE: FSC with Miami Tech's 2" stand-off.
- Refer to page 33 for more details on collar options.



## SPIN-IN COLLAR TAPERED STYLE (CONICAL) FOR FIBERGLASS DUCT

### Product Information

- Mechanically riveted body.
- R-6 standard unless specified. Available for R-4 or R-6 ductboard.
- Spin-in groove fabricated into body to ensure accurate inlet diameter.
- Clamp bend and pipe crimp facilitate quick and secure field installation.

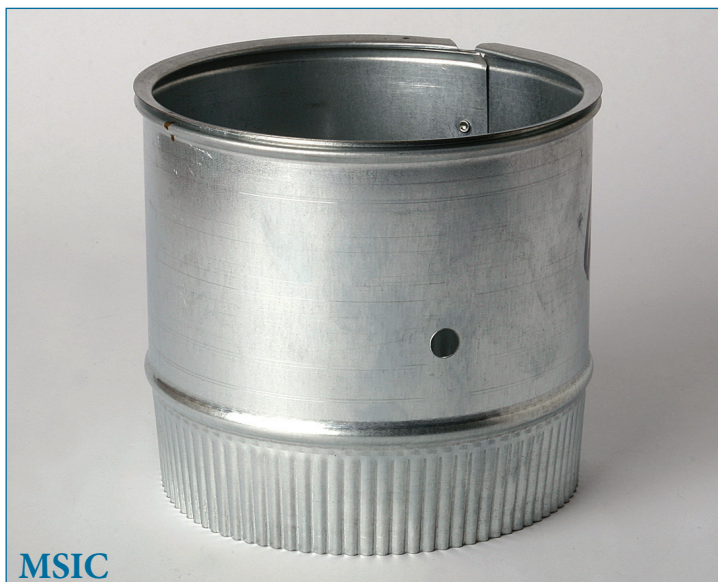
Size	FSCT-1	FSCT-4	FSCT-5	FSCT-6	Qty
4"	FSCT64-1	FSCT64-4	FSCT64-5	FSCT64-6	1
5"	FSCT75-1	FSCT75-4	FSCT75-5	FSCT75-6	1
6"	FSCT86-1	FSCT86-4	FSCT86-5	FSCT86-6	1
7"	FSCT97-1	FSCT97-4	FSCT97-5	FSCT97-6	1
8"	FSCT108-1	FSCT108-4	FSCT108-5	FSCT108-6	1
10"	FSCT1210-1	FSCT1210-4	FSCT1210-5	FSCT1210-6	1
12"	FSCT1412-1	FSCT1412-4	FSCT1412-5	FSCT1412-6	1
14"	FSCT1614-1	FSCT1614-4	FSCT1614-5	FSCT1614-6	1
16"	FSCT1816-1	FSCT1816-4	FSCT1816-5	FSCT1816-6	1
18"	FSCT2018-1	FSCT2018-4	FSCT2018-5	FSCT2018-6	1
20"	FSCT2220-1	FSCT2220-4	FSCT2220-5	FSCT2220-6	1

### Product Models

- FSCT-1: Spin-in collar for fiberglass.
- FSCT-4: Spin-in collar for fiberglass with scoop.
- FSCT-5: Spin-in collar for fiberglass with damper.
- FSCT-6: Spin-in collar for fiberglass with scoop and damper.
- FSCT-R4: FSCT for R-4 ductboard.
- FSCT-HD: FSCT with heavy-duty hardware.
- FSCT-SO: FSCT with standard 2" stand-off.
- FSCT-SOE: FSCT with Miami Tech's 2" stand-off.
- Refer to page 33 for more details on collar options.







MSIC

## SPIN-IN COLLAR FOR METAL DUCT

### Product Information

- Mechanically riveted body.
- Spin-in groove fabricated into body to ensure accurate inlet diameter.
- Clamp bend and pipe crimp facilitate quick and secure field installation.

Size	MSIC-1	MSIC-4	MSIC-5	MSIC-6	Qty
4"	MSIC4-1	MSIC4-4	MSIC4-5	MSIC4-6	1
5"	MSIC5-1	MSIC5-4	MSIC5-5	MSIC5-6	1
6"	MSIC6-1	MSIC6-4	MSIC6-5	MSIC6-6	1
7"	MSIC7-1	MSIC7-4	MSIC7-5	MSIC7-6	1
8"	MSIC8-1	MSIC8-4	MSIC8-5	MSIC8-6	1
10"	MSIC10-1	MSIC10-4	MSIC10-5	MSIC10-6	1
12"	MSIC12-1	MSIC12-4	MSIC12-5	MSIC12-6	1
14"	MSIC14-1	MSIC14-4	MSIC14-5	MSIC14-6	1
16"	MSIC16-1	MSIC16-4	MSIC16-5	MSIC16-6	1
18"	MSIC18-1	MSIC18-4	MSIC18-5	MSIC18-6	1
20"	MSIC20-1	MSIC20-4	MSIC20-5	MSIC20-6	1



MSIC-5



MSIC-6

### Product Models

- MSIC-1: Spin-in collar for metal plain.
- MSIC-4: Spin-in collar for metal with scoop.
- MSIC-5: Spin-in collar for metal with damper.
- MSIC-6: Spin-in collar for metal with scoop and damper.
- MSIC-HD: MSIC with heavy-duty hardware.
- MSIC-SO: MSIC with standard 2" stand-off.
- MSIC-SOE: MSIC with Miami Tech's 2" stand-off.
- Refer to page 33 for more details on collar options.



MSICT

Optional stand-off shown above (Model MSICT-SO).

## SPIN-IN COLLAR TAPERED STYLE (CONICAL) FOR METAL DUCT

### Product Information

- Mechanically riveted body.
- Spin-in groove fabricated into body to ensure accurate inlet diameter.
- Clamp bend and pipe crimp facilitate quick and secure field installation.

Size	MSICT-1	MSICT-4	MSICT-5	MSICT-6	Qty
4"	MSICT64-1	MSICT64-4	MSICT64-5	MSICT64-6	1
5"	MSICT75-1	MSICT75-4	MSICT75-5	MSICT75-6	1
6"	MSICT86-1	MSICT86-4	MSICT86-5	MSICT86-6	1
7"	MSICT97-1	MSICT97-4	MSICT97-5	MSICT97-6	1
8"	MSICT108-1	MSICT108-4	MSICT108-5	MSICT108-6	1
10"	MSICT1210-1	MSICT1210-4	MSICT1210-5	MSICT1210-6	1
12"	MSICT1412-1	MSICT1412-4	MSICT1412-5	MSICT1412-6	1
14"	MSICT1614-1	MSICT1614-4	MSICT1614-5	MSICT1614-6	1
16"	MSICT1816-1	MSICT1816-4	MSICT1816-5	MSICT1816-6	1
18"	MSICT2018-1	MSICT2018-4	MSICT2018-5	MSICT2018-6	1
20"	MSICT2220-1	MSICT2220-4	MSICT2220-5	MSICT2220-6	1



MSICT-5



MSICT-6

### Product Models

- MSICT-1: Spin-in collar for metal plain.
- MSICT-4: Spin-in collar for metal with scoop.
- MSICT-5: Spin-in collar for metal with damper.
- MSICT-6: Spin-in collar for metal with scoop and damper.
- MSICT-HD: MSICT with heavy-duty hardware.
- MSICT-SO: MSICT with standard 2" stand-off.
- MSICT-SOE: MSICT with Miami Tech's 2" stand-off.
- Refer to page 33 for more details on collar options.



## TAKE-OFF COLLAR

### Product Information

- Body mechanically fastened together to ensure a rigid assembly.
- Flange fabricated to ensure solid connection.
- Clamp bend and pipe crimp facilitate quick and secure field installation.

Size	TC	TCZ	TCD	TCZD	Qty
4"	TC4	TCZ4	TCD4	TCZD4	1
5"	TC5	TCZ5	TCD5	TCZD5	1
6"	TC6	TCZ6	TCD6	TCZD6	1
7"	TC7	TCZ7	TCD7	TCZD7	1
8"	TC8	TCZ8	TCD8	TCZD8	1
9"	TC9	TCZ9	TCD9	TCZD9	1
10"	TC10	TCZ10	TCD10	TCZD10	1
12"	TC12	TCZ12	TCD12	TCZD12	1
14"	TC14	TCZ14	TCD14	TCZD14	1
16"	TC16	TCZ16	TCD16	TCZD16	1
18"	TC18	TCZ18	TCD18	TCZD18	1
20"	TC20	TCZ20	TCD20	TCZD20	1

### Product Models

- TC: Take-off collar.
- TCZ: Take-off collar with scoop only.
- TCD: Take-off collar with damper only.
- TCZD: Take-off collar with scoop and damper.
- TCD-SO: TCD with standard 2" stand-off.
- TCD-SOE: TCD with Miami Tech's 2" stand-off.
- TCZD-SO: TCZD with standard 2" stand-off.
- TCZD-SOE: TCZD with Miami Tech's 2" stand-off.
- Refer to page 33 for more details on collar options.



TC



TCD



TCZD

## RING-SEAL COLLAR

### Product Information

- Body mechanically fastened together to ensure a rigid assembly.

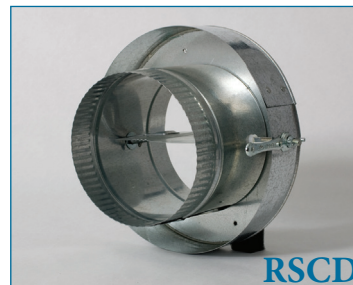
Size	RSC	RSCZ	RSCD	RSCZD	Qty
4"	RSC4	RSCZ4	RSCD4	RSCZD4	1
5"	RSC5	RSCZ5	RSCD5	RSCZD5	1
6"	RSC6	RSCZ6	RSCD6	RSCZD6	1
7"	RSC7	RSCZ7	RSCD7	RSCZD7	1
8"	RSC8	RSCZ8	RSCD8	RSCZD8	1
9"	RSC9	RSCZ9	RSCD9	RSCZD9	1
10"	RSC10	RSCZ10	RSCD10	RSCZD10	1
12"	RSC12	RSCZ12	RSCD12	RSCZD12	1
14"	RSC14	RSCZ14	RSCD14	RSCZD14	1
16"	RSC16	RSCZ16	RSCD16	RSCZD16	1
18"	RSC18	RSCZ18	RSCD18	RSCZD18	1
20"	RSC20	RSCZ20	RSCD20	RSCZD20	1

### Product Models

- RSC: Ring-seal collar.
- RSCZ: Ring-seal collar with scoop only.
- RSCD: Ring-seal collar with damper only.
- RSCZD: Ring-seal collar with scoop and damper.
- RSCG: Ring-seal collar with gasket.
- RSCD-SO: RSCD with standard 2" stand-off.
- RSCD-SOE: RSCD with Miami Tech's 2" stand-off.
- RSCZD-SO: RSCZD with standard 2" stand-off.
- RSCZD-SOE: RSCZD with Miami Tech's 2" stand-off.
- Refer to page 33 for more details on collar options.



RSC

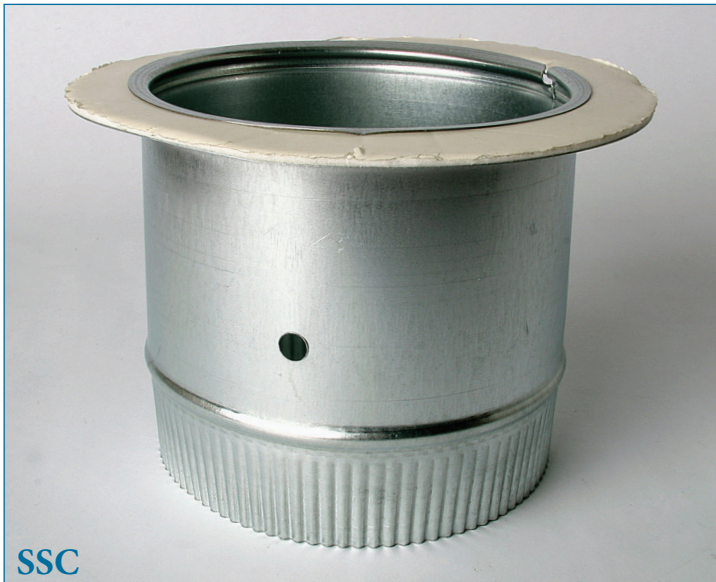


RSCD



RSCZD





SSC

## SURE SEAL COLLAR

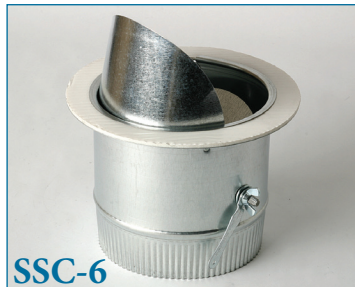
### Product Information

- Mechanically riveted body.
- Spin-in groove fabricated into body to ensure accurate inlet diameter.
- Clamp bend and pipe crimp facilitate quick and secure field installation.

Size	SSC-1	SSC-4	SSC-5	SSC-6	Qty
4"	SSC4-1	SSC4-4	SSC4-5	SSC4-6	1
5"	SSC5-1	SSC5-4	SSC5-5	SSC5-6	1
6"	SSC6-1	SSC6-4	SSC6-5	SSC6-6	1
7"	SSC7-1	SSC7-4	SSC7-5	SSC7-6	1
8"	SSC8-1	SSC8-4	SSC8-5	SSC8-6	1
10"	SSC10-1	SSC10-4	SSC10-5	SSC10-6	1
12"	SSC12-1	SSC12-4	SSC12-5	SSC12-6	1
14"	SSC14-1	SSC14-4	SSC14-5	SSC14-6	1
16"	SSC16-1	SSC16-4	SSC16-5	SSC16-6	1
18"	SSC18-1	SSC18-4	SSC18-5	SSC18-6	1
20"	SSC20-1	SSC20-4	SSC20-5	SSC20-6	1



SSC-5



SSC-6

### Product Models

- SSC-1: Sure seal collar plain.
- SSC-4: Sure seal collar with scoop.
- SSC-5: Sure seal collar with damper.
- SSC-6: Sure seal collar with scoop and damper.
- SSC-HD: SSC with heavy-duty hardware.
- SSC-SO: SSC with standard 2" stand-off.
- SSC-SOE: SSC with Miami Tech's 2" stand-off.
- Refer to page 33 for more details on collar options.



SSCT

Optional stand-off shown above (Model SSCT-SO).

## SURE SEAL COLLAR-TAPERED STYLE (CONICAL)

### Product Information

- Mechanically riveted body.
- Spin-in groove fabricated into body to ensure accurate inlet diameter.
- Clamp bend and pipe crimp facilitate quick and secure field installation.

Size	SSCT-1	SSCT-4	SSCT-5	SSCT-6	Qty
4"	SSCT64-1	SSCT64-4	SSCT64-5	SSCT64-6	1
5"	SSCT75-1	SSCT75-4	SSCT75-5	SSCT75-6	1
6"	SSCT86-1	SSCT86-4	SSCT86-5	SSCT86-6	1
7"	SSCT97-1	SSCT97-4	SSCT97-5	SSCT97-6	1
8"	SSCT108-1	SSCT108-4	SSCT108-5	SSCT108-6	1
10"	SSCT1210-1	SSCT1210-4	SSCT1210-5	SSCT1210-6	1
12"	SSCT1412-1	SSCT1412-4	SSCT1412-5	SSCT1412-6	1
14"	SSCT1614-1	SSCT1614-4	SSCT1614-5	SSCT1614-6	1
16"	SSCT1816-1	SSCT1816-4	SSCT1816-5	SSCT1816-6	1
18"	SSCT2018-1	SSCT2018-4	SSCT2018-5	SSCT2018-6	1
20"	SSCT2220-1	SSCT2220-4	SSCT2220-5	SSCT2220-6	1



SSCT-5



SSCT-6

### Product Models

- SSCT-1: Sure seal collar.
- SSCT-4: Sure seal collar with scoop.
- SSCT-5: Sure seal collar with damper.
- SSCT-6: Sure seal collar with scoop and damper.
- SSCT-HD: SSCT with heavy-duty hardware.
- SSCT-SO: SSCT with standard 2" stand-off.
- SSCT-SOE: SSCT with Miami Tech's 2" stand-off.
- Refer to page 33 for more details on collar options.

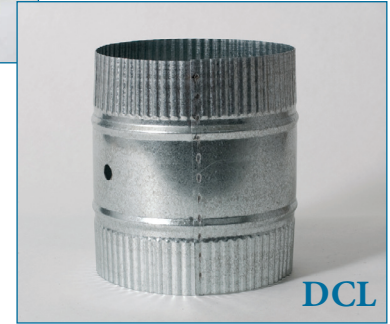


## FLEX DUCT CONNECTOR

### Product Models

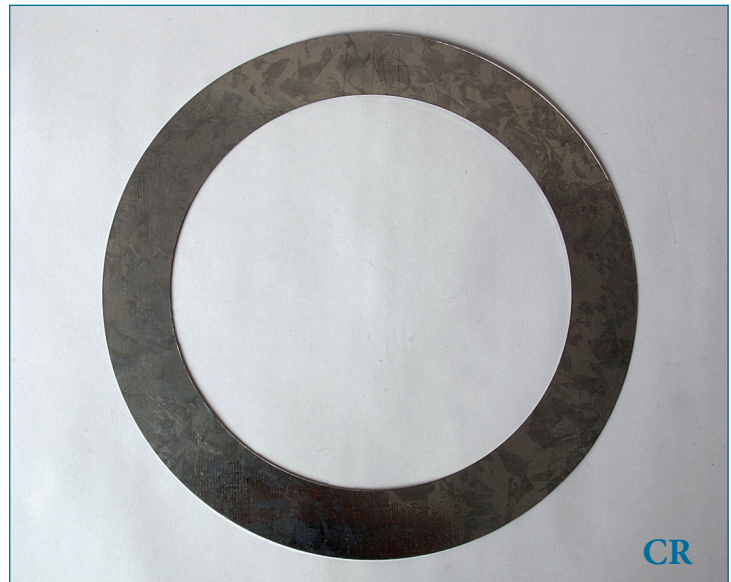
- DC: 4.5" body-length flex duct connector.
- DCL: 6" body-length flex duct connector.

Diameter	DC	DCL	Gauge	Box Qty
4"	DC4	DCL4	26ga	25
5"	DC5	DCL5	26ga	25
6"	DC6	DCL6	26ga	25
7"	DC7	DCL7	26ga	25
8"	DC8	DCL8	26ga	25
10"	DC10	DCL10	26ga	25
12"	DC12	DCL12	26ga	25
14"	DC14	DCL14	26ga	25
16"	DC16	DCL16	26ga	25
18"	DC18	DCL18	26ga	25
20"	DC20	DCL20	26ga	25



## COLLAR-RING

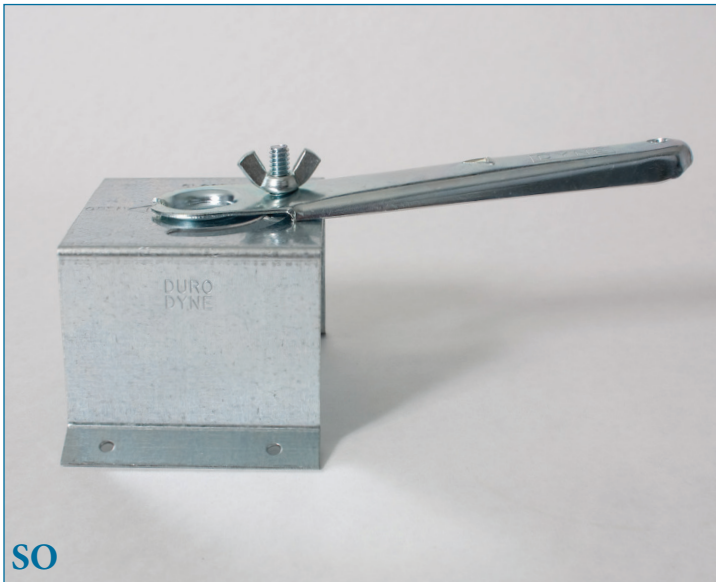
Part No.	Inside Diameter	Outside Diameter	Gauge	Box Qty
CR4	4"	6"	28ga	100
CR5	5"	7"	28ga	100
CR6	6"	8"	28ga	100
CR7	7"	9"	28ga	100
CR8	8"	10"	28ga	100
CR10	10"	12"	28ga	100
CR12	12"	14"	28ga	100
CR14	14"	16"	28ga </td <td>100</td>	100
CR16	16"	18"	28ga	100
CR18	18"	20"	28ga	100



## DAMPER ASSEMBLY KIT

Part No.	Size	Box Qty.
DA4	4"	50
DA5	5"	50
DA6	6"	50
DA7	7"	50
DA8	8"	50
DA9	9"	50
DA10	10"	50
DA12	12"	50
DA14	14"	50
DA16	16"	50
DA18	18"	50
DA20	20"	50





SO

## STAND-OFF OPTION

### Product Information

- 2" stand-off equipped with butterfly-nuts top and bottom lock in damper, as well as position lock nut.
- Designed for commercial applications.

Add "SO" to part number to indicate this option.



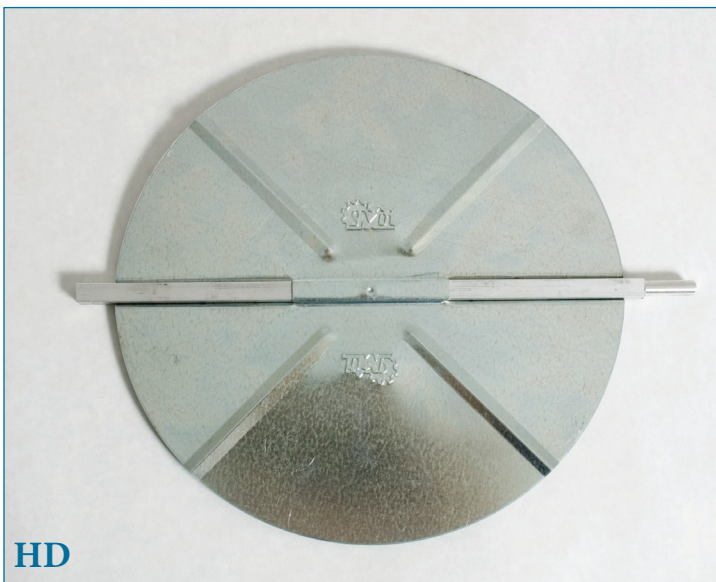
SOE

## E-STYLE STAND-OFF OPTION

### Product Information

- 2" stand-off equipped with butterfly-nuts top and bottom lock in damper, as well as position lock nut.
- For use on any fitting damper.
- Designed for light commercial and residential applications.

Add "SOE" to part number to indicate this option.



HD

## HD (HEAVY DUTY) STAND-OFF OPTION

### Product Information

- Equipped with a heavy duty handle and a position lock nut on 2" stand-off (1" stand-off available).
- 3/8" aluminum square rod shaft and 22 gauge damper blade for heavy duty applications.
- Nylon bushings on both ends of damper.
- Ideal for commercial and high-volume applications.

Add "HD" to part number to indicate this option.

Products below shown with heavy duty stand-off option installed.



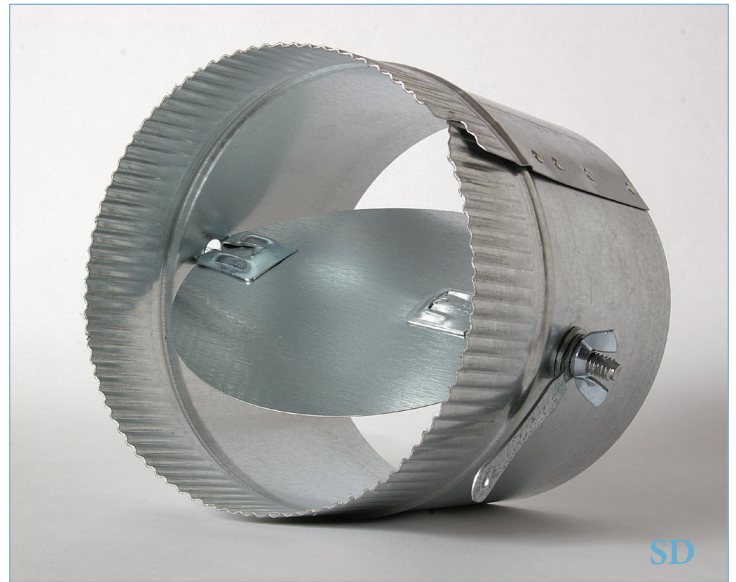


## SLEEVE DAMPER

### Product Information

- Clamp bend and pipe crimp facilitate quick and secure field installation.
- Refer to page 33 for options available.

Part No.	Diameter	Height	Gauge	Qty.
SD04	4"	6"	28ga	1
SD05	5"	6"	28ga	1
SD06	6"	6"	28ga	1
SD07	7"	8"	26ga	1
SD08	8"	8"	26ga	1
SD09	9"	10"	26ga	1
SD10	10"	10"	26ga	1
SD12	12"	12"	26ga	1
SD14	14"	14"	26ga	1
SD16	16"	16"	26ga	1
SD18	18"	18"	26ga	1
SD20	20"	20"	26ga	1

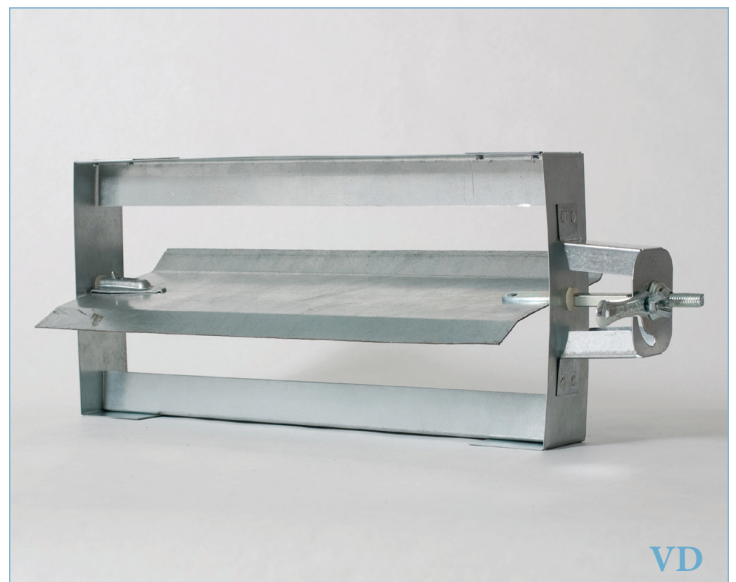


## VOLUME DAMPER

### Product Information

- Refer to page 33 for options available.

Size Availability (Width x Height)		
Minimum	Maximum	Qty.
6" x 6"	36" x 12"	1





OBD

## ALUMINUM OPPOSED-BLADE VOLUME DAMPER

### Product Information

#### Frame

- 6063-T5 extruded aluminum, .081" wall thickness.
- Universal C-Channel Frame.

#### Blades

- 6063-T5 extruded aluminum, .081" wall thickness.
- Spaced at approximate 6" centers.

#### Bearings

- Permanently lubricated oilite bronze. Press fit into frame.

#### Operator Shaft

- 1/2" diameter plated steel shaft extends 3" past frame.

#### Finish

- Mill Aluminum.

Size Availability (Width x Height)		
Minimum	Maximum (Single Section)	Qty.
12" x 12"	48" x 60"	1
Minimum	Maximum (Multi-Section)	Qty.
12" x 12"	96" x 60" (Horizontal)	1
Minimum	Maximum (Multi-Section)	Qty.
12" x 12"	48" x 120" (Vertical)	1



PBD

## ALUMINUM PARALLEL-BLADE VOLUME DAMPER

### Product Information

#### Frame

- 6063-T5 extruded aluminum, .081" wall thickness.
- Universal C-Channel Frame.

#### Blades

- 6063-T5 extruded aluminum, .081" wall thickness.
- Spaced at approximate 4" centers.

#### Bearings

- Permanently lubricated oilite bronze. Press fit into frame.

#### Operator Shaft

- 1/2" diameter plated steel shaft extends 3 or 6" past frame.

#### Finish

- Mill Aluminum.

Size Availability (Width x Height)		
Minimum	Maximum (Single Section)	Qty.
12" x 12"	48" x 60"	1
Minimum	Maximum (Multi-Section)	Qty.
12" x 12"	96" x 60" (Horizontal)	1
Minimum	Maximum (Multi-Section)	Qty.
12" x 12"	48" x 120" (Vertical)	1



## MOTORIZED OPPOSED-BLADE VOLUME DAMPER

### Product Information

#### Frame

- 6063-T5 extruded aluminum, .081" wall thickness.
- Universal C-Channel Frame.

#### Blades

- 6063-T5 extruded aluminum, .081" wall thickness.
- Spaced at approximate 4" centers.

#### Bearings

- Permanently lubricated nylon bushing. Press fit into frame.

#### Operator Shaft

- 1/2" diameter plated steel shaft extends 6" past frame.

#### Operator Motor

- High-torque actuator (24/120VAC).

#### Finish

- Mill Aluminum.

Size Availability (Width x Height)		
Minimum	Maximum (Single Section)	Qty.
12" x 12"	48" x 60"	1
Minimum	Maximum (Multi-Section)	Qty.
12" x 12"	96" x 60" (Horizontal)	1
Minimum	Maximum (Multi-Section)	Qty.
12" x 12"	48" x 120" (Vertical)	1



MOBD

## MOTORIZED PARALLEL-BLADE VOLUME DAMPER

### Product Information

#### Frame

- 6063-T5 extruded aluminum, .081" wall thickness.
- Universal C-Channel Frame.

#### Blades

- 6063-T5 extruded aluminum, .081" wall thickness.
- Spaced at approximate 4" centers.

#### Bearings

- Permanently lubricated nylon bushing. Press fit into frame.

#### Operator Shaft

- 1/2" diameter plated steel shaft extends 6" past frame.

#### Operator Motor

- High-torque actuator (24/120VAC).

#### Finish

- Mill Aluminum.

Size Availability (Width x Height)		
Minimum	Maximum (Single Section)	Qty.
12" x 12"	48" x 60"	1
Minimum	Maximum (Multi-Section)	Qty.
12" x 12"	96" x 60" (Horizontal)	1
Minimum	Maximum (Multi-Section)	Qty.
12" x 12"	48" x 120" (Vertical)	1



MPBD



## RECTANGULAR MOTORIZED ZONE DAMPER

### Product Information

#### Frame

- 6063-T5 extruded aluminum.

#### Blades

- 6063-T5 extruded aluminum.

#### Gasket

- Vinyl gasket extrusion.

#### Gears

- 2" round glass-filled fire-retardant nylon.

#### Operator Motor

- POSC: power open, spring close (24VAC) (ex. MZD1212-POSC).

Size Availability (Width x Height)		
Minimum	Maximum	Qty.
6" x 6"	36"x18"	1



## ROUND MOTORIZED ZONE DAMPER

### Product Information

- Includes a 3/8" aluminum shaft and 22 gauge damper blade.
- Perimeter foam gasket to reduce leakage when damper is closed.

#### Operator Motor

- POSC: power open, spring close (24VAC) (ex. MZDR06-POSC).

Part No.	Diameter	Body Length	Qty.
MZDR04-POSC	4"	10"	1
MZDR05-POSC	5"	10"	1
MZDR06-POSC	6"	10"	1
MZDR07-POSC	7"	10"	1
MZDR08-POSC	8"	10"	1
MZDR09-POSC	9"	12"	1
MZDR10-POSC	10"	12"	1
MZDR12-POSC	12"	16"	1
MZDR14-POSC	14"	16"	1
MZDR16-POSC	16"	20"	1
MZDR18-POSC	18"	20"	1



## DRAIN PAN

### Product Information

- Seamed corners (no welds) for a watertight seal.
- Standard 2" deep.
- 3/4" PVC drain fitting installed.
- 24 gauge model available (ex. DPXXXX-24).
- Available without drain connection (ex. DPXXXX-NO).

Part No.	Size	Gauge	Qty.
DP2424-26	24" x 24"	26ga	1
DP2644-26	26" x 44"	26ga	1
DP2648-26	26" x 48"	26ga	1
DP2650-26	26" x 50"	26ga	1
DP2652-26	26" x 52"	26ga	1
DP2654-26	26" x 54"	26ga	1
DP2656-26	26" x 56"	26ga	1
DP2658-26	26" x 58"	26ga	1
DP2660-26	26" x 60"	26ga	1
DP2662-26	26" x 62"	26ga	1
DP2848-26	28" x 48"	26ga	1
DP2858-26	28" x 58"	26ga	1
DP3060-26	30" x 60"	26ga	1
DP3066-26	30" x 66"	26ga	1
DP3260-26	32" x 60"	26ga	1
DP3262-26	32" x 62"	26ga	1

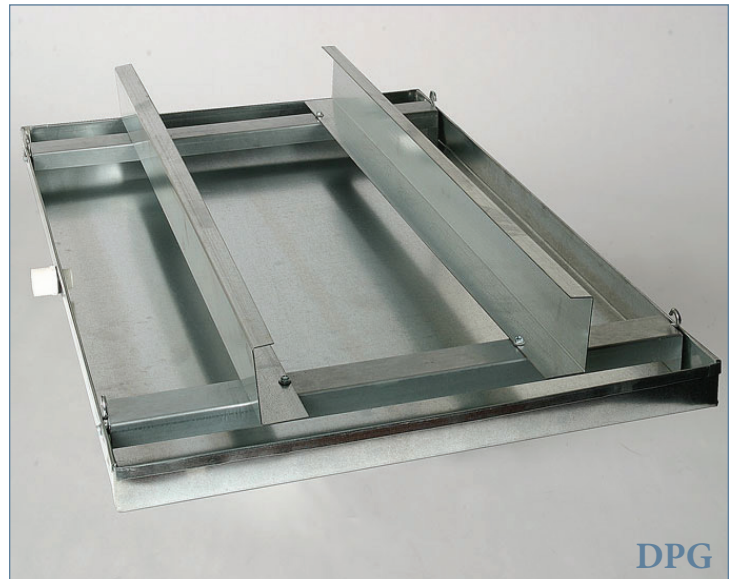


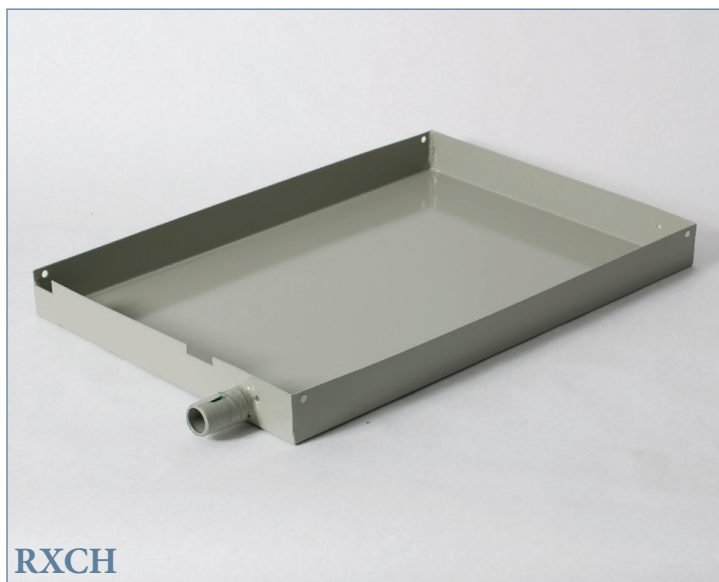
## DRAIN PAN WITH RAILS

### Product Information

- Standard 2" deep.
- Seamed corners (no welds) for a watertight seal.
- 3/4" PVC drain fitting installed at center of drain pan.
- Standard S-Hook hardware used.
- Optional eye-bolt hardware available.
- Engineering available.

Part No.	Size	Gauge	Qty.
DPG2640	26" x 40"	24ga	1
DPG2648	26" x 48"	24ga	1
DPG2650	26" x 50"	24ga	1
DPG2652	26" x 52"	24ga	1
DPG2654	26" x 54"	24ga	1
DPG2656	26" x 56"	24ga	1
DPG2658	26" x 58"	24ga	1
DPG2660	26" x 60"	24ga	1
DPG2662	26" x 62"	24ga	1
DPG2848	28" x 48"	24ga	1
DPG2858	28" x 58"	24ga	1
DPG3060	30" x 60"	24ga	1
DPG3066	30" x 66"	24ga	1
DPG3260	32" x 60"	24ga	1





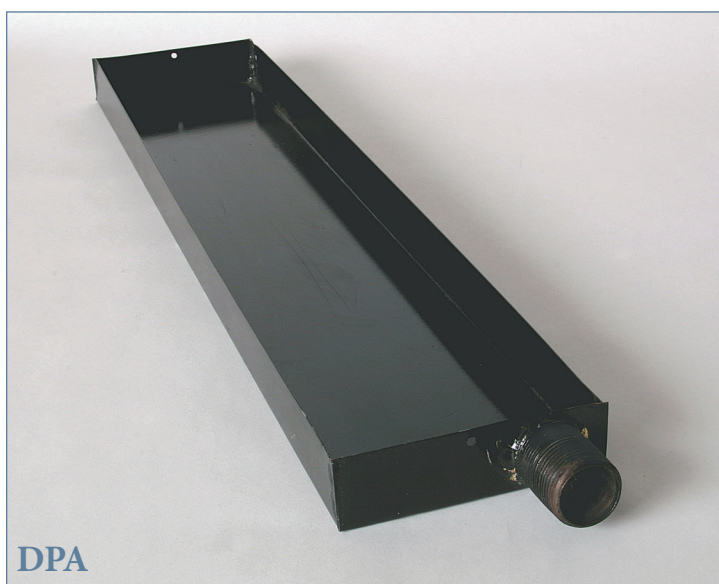
RXCH

## RHEEM/RUUD HORIZONTAL DRAIN PAN

### Product Information

- Powder-coated galvanized steel.
- Brazed corners for a watertight seal.
- 1/2" NPT threaded nipple installed.

Part No.	Size (W x L)	Gauge	Qty.
MTI-RXCHA10	13" x 19-1/16"	22ga	1
MTI-RXCHA14	15-1/8" x 21-1/8"	22ga	1
MTI-RXCHA16	20-3/8" x 23-11/16"	22ga	1



DPA

## AUXILIARY DRAIN PAN

### Product Information

- Powder-coated galvanized steel.
- For Rheem air-handler units.

Part No.	Size	Gauge	Qty.
DPA	4" x 19" x 1"	24ga	1



AHK

## DRAIN PAN HANGING KIT

### Product Information

- Designed for various sizes of air handlers.
- Hardware for mounting to wooden trusses or steel bar joists included.

### AHK1/4 Hanging Kit

- Part No. AHK1/4
- Qty. 5 Kits/Pack

### Kit includes the following:

- (2) - 32" x 14ga. Slotted Angles
- (4) - 1/4" x 6ft. Threaded Rods
- (4) - 1/4" x 3" Eye Bolts
- (4) - 1/4" x 2" Eye Lag Bolts
- (4) - 3/8" Fender Washers
- (12) - 1/4" Hex Nuts
- (12) - 5/16" Flat Washers

### AHK3/8 Hanging Kit

- Part No. AHK3/8
- Qty. 5 Kits/Pack

### Kit includes the following:

- (2) - 32" x 14ga. Slotted Angles
- (4) - 3/8" x 6ft. Threaded Rods
- (4) - 1/4" x 3" Eye Bolts
- (4) - 1/4" x 2" Eye Lag Bolts
- (4) - 1/4" Hex Nuts
- (8) - 3/8" Hex Nuts
- (4) - 3/8" Fender Washers
- (12) - 5/16" Flat Washers



## FIBERGLASS REDUCERS

### Product Information

- All models are available assembled or knocked-down.
- Unfolded units can be built quickly and only require tape to fasten them.
- Duct openings can be easily cut with a utility knife.
- Fiberglass reducers are made of 1-1/2" thick R6 fiberglass insulation with a foil barrier (FSK).

Part No.	Size	Option	Qty.
SRA	Small	Assembled	6
MRA	Medium	Assembled	6
LRA	Large	Assembled	1
XRA	Extra Large	Assembled	1
SRK	Small	Knocked-Down	12
MRK	Medium	Knocked-Down	8
LRK	Large	Knocked-Down	8
XRK	Extra Large	Knocked-Down	6



## FIBERGLASS TRIANGLES

### Product Information

- All models are available assembled or knocked-down.
- Unfolded units can be built quickly and only require tape to fasten them.
- Duct openings can be easily cut with a utility knife.
- Fiberglass reducers are made of 1-1/2" thick R6 fiberglass insulation with a foil barrier (FSK).

Part No.	Size	Option	Qty.
STA	Small	Assembled	6
MTA	Medium	Assembled	6
LTA	Large	Assembled	1
XTA	Extra Large	Assembled	1
STK	Small	Knocked-Down	12
MTK	Medium	Knocked-Down	8
LTK	Large	Knocked-Down	8
XTK	Extra Large	Knocked-Down	6

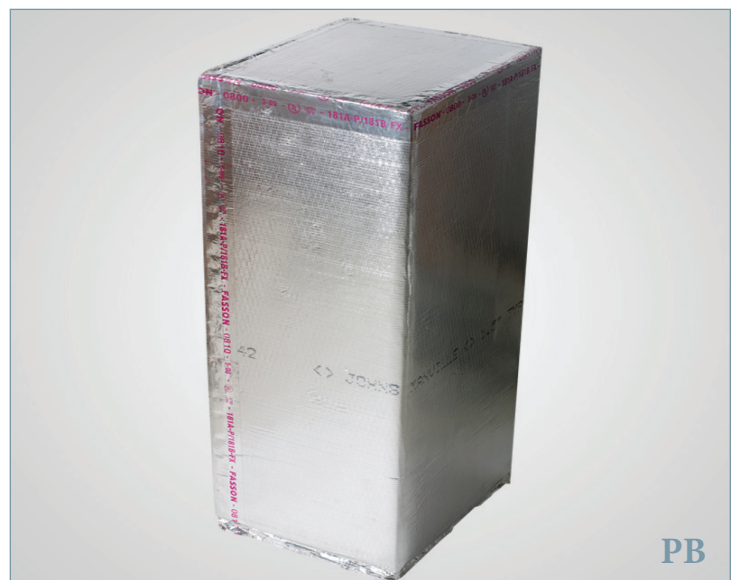


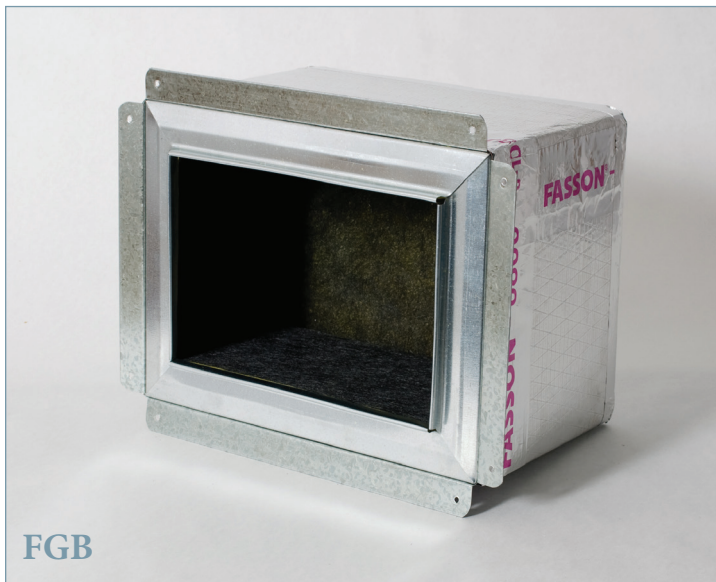
## FIBERGLASS PLENUM BOXES

### Product Information

- R-6 fiberglass ductboard coated with EPA registered anti-microbial.
- Protective acrylic agent on the air-stream side.

Part No.	Size	Qty.
PB161648	16" x 16" x 48"	1
PB181448	18" x 14" x 48"	1
PB181848	18" x 18" x 48"	1





FGB

**Product Models**

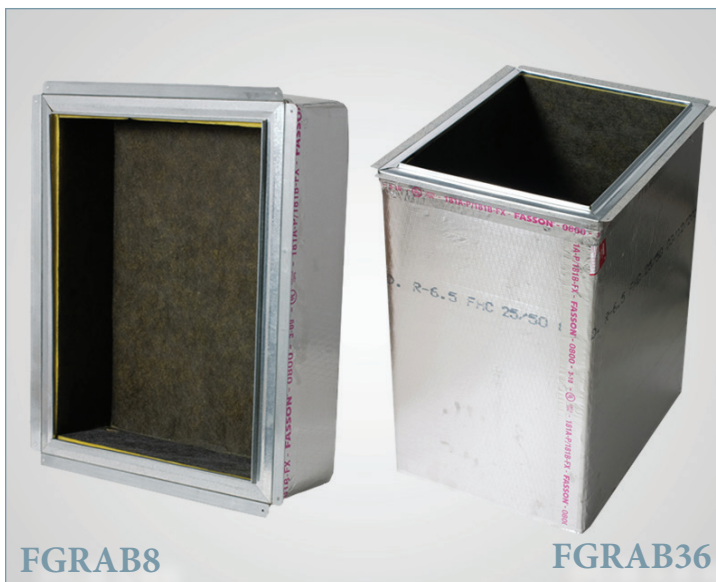
- R6FGB: R-6 flanged all-fiberglass register box.
- R6FGBU: R-6 unflanged all-fiberglass register box.
- FGB-T: All-fiberglass register box in 11" height.

## FIBERGLASS REGISTER BOX

**Product Information**

- Design includes a 1/2" drywall lip and rounded corners for added safety.
- Opening is 1/4" oversized to accommodate register/grille.
- Standard height of 9".
- Dual bead box design for added strength.

Flanged	Unflanged	Size	Qty.
R6FGB0604	R6FGBU0604	6" x 4"	5
R6FGB0606	R6FGBU0606	6" x 6"	5
R6FGB0804	R6FGBU0804	8" x 4"	5
R6FGB0806	R6FGBU0806	8" x 6"	5
R6FGB0808	R6FGBU0808	8" x 8"	5
R6FGB1006	R6FGBU1006	10" x 6"	5
R6FGB1008	R6FGBU1008	10" x 8"	5
R6FGB1010	R6FGBU1010	10" x 10"	5
R6FGB1206	R6FGBU1206	12" x 6"	5
R6FGB1208	R6FGBU1208	12" x 8"	5
R6FGB1212	R6FGBU1212	12" x 12"	5
R6FGB1406	R6FGBU1406	14" x 6"	5
R6FGB1408	R6FGBU1408	14" x 8"	5
R6FGB1414	R6FGBU1414	14" x 14"	5
R6FGB1606	R6FGBU1606	16" x 6"	5
R6FGB1608	R6FGBU1608	16" x 8"	5
R6FGB1616	R6FGBU1616	16" x 16"	5
R6FGB1818	R6FGBU1818	18" x 18"	5
R6FGB2020	R6FGBU2020	20" x 20"	5
R6FGB2424	R6FGBU2424	24" x 24"	5



FGRAB8

FGRAB36

## FIBERGLASS RETURN-AIR REGISTER BOX

**Product Information**

- Available in R-4 or R-6 fiberglass.
- Design includes 1/2" drywall lip and rounded corners for added safety.
- Opening 1/2" oversized to accommodate return-air grille.
- Dual bead box designed for added strength.
- Available in 8" or 36" height.

**Product Models**

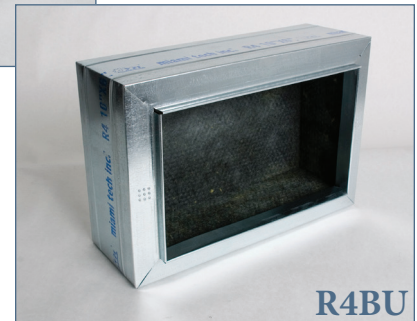
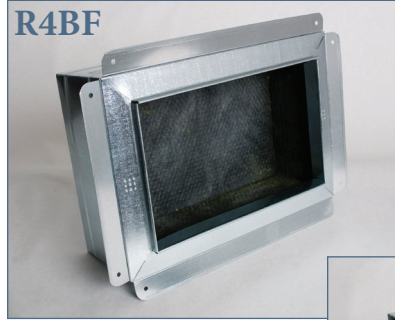
- FGRAB8: Flanged all-fiberglass return-air box 8" tall.
- FGRAB36: Flanged all-fiberglass return-air box 36" tall.
- FGRABU8: Unflanged all-fiberglass return-air box 8" tall.
- FGRABU36: Unflanged all-fiberglass return-air box 36" tall.

Part No.	Size (W x H x D)	Quantity
R6FGRAB241836	24" x 18" x 36"	1
R6FGRAB301836	30" x 18" x 36"	1
R6FGRAB361836	36" x 18" x 36"	1



## R-4 REGISTER BOX

Part No.	Size	Gauge	Qty.
R4BF0604	6" x 4"	30ga	48
R4BF0606	6" x 6"	30ga	36
R4BF0804	8" x 4"	30ga	38
R4BF0806	8" x 6"	30ga	32
R4BF0808	8" x 8"	30ga	28
R4BF1006	10" x 6"	30ga	24
R4BF1008	10" x 8"	30ga	24
R4BF1010	10" x 10"	30ga	20
R4BF1206	12" x 6"	30ga	24
R4BF1208	12" x 8"	30ga	20
R4BF1212	12" x 12"	30ga	14
R4BF1406	14" x 6"	30ga	22
R4BF1408	14" x 8"	30ga	19
R4BF1414	14" x 14"	30ga	8
R4BF1606	16" x 6"	30ga	18
R4BF1608	16" x 8"	30ga	14
R4BF1616	16" x 16"	30ga	8
R4BF1824	18" x 24"	30ga	6
R4BF2020	20" x 20"	30ga	6
R4BF2424	24" x 24"	30ga	6



### Product Information

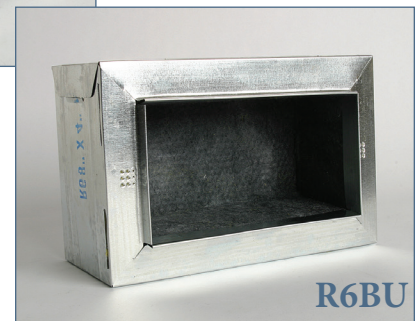
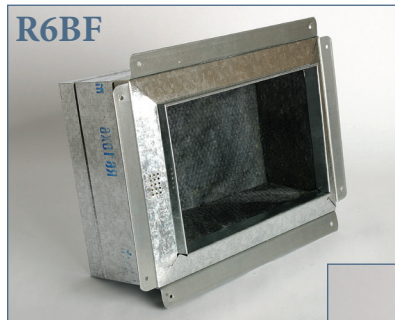
- 1" perimeter flange provided for easy installation.
- Design includes 1/2" drywall lip and rounded corners for added safety.
- Opening 1/4" oversized to accommodate register/grille.
- Dual bead box design for added strength.
- Black diffuser board coated with EPA-registered, anti-microbial, protective acrylic agent along air stream side.

### Product Models

- R4BF: Flanged R-4 register box.
- R4BU: Unflanged R-4 register box.
- R4BFG: R-4 register box with gasket.

## R-6 REGISTER BOX

Part No.	Size	Gauge	Qty.
R6BF0604	6" x 4"	30ga	48
R6BF0606	6" x 6"	30ga	36
R6BF0804	8" x 4"	30ga	38
R6BF0806	8" x 6"	30ga	32
R6BF0808	8" x 8"	30ga	28
R6BF1006	10" x 6"	30ga	24
R6BF1008	10" x 8"	30ga	24
R6BF1010	10" x 10"	30ga	20
R6BF1206	12" x 6"	30ga	24
R6BF1208	12" x 8"	30ga	20
R6BF1212	12" x 12"	30ga	14
R6BF1406	14" x 6"	30ga	22
R6BF1408	14" x 8"	30ga	19
R6BF1414	14" x 14"	30ga	8
R6BF1606	16" x 6"	30ga	18
R6BF1608	16" x 8"	30ga	14
R6BF1616	16" x 16"	30ga	8
R6BF1824	18" x 24"	30ga	6
R6BF2020	20" x 20"	30ga	6
R6BF2424	24" x 24"	30ga	6



### Product Information

- 1" perimeter flange provided for easy installation.
- Design includes 1/2" drywall lip and rounded corners for added safety.
- Opening 1/4" oversized to accommodate register/grille.
- Dual bead box design for added strength.
- Black diffuser board coated with EPA-registered, anti-microbial, protective acrylic agent along air stream side.

### Product Models

- R6BF: Flanged R-6 register box.
- R6BU: Unflanged R-6 register box.
- R6BFG: R-6 register box with gasket.



R8BF

R8BU

**Product Information**

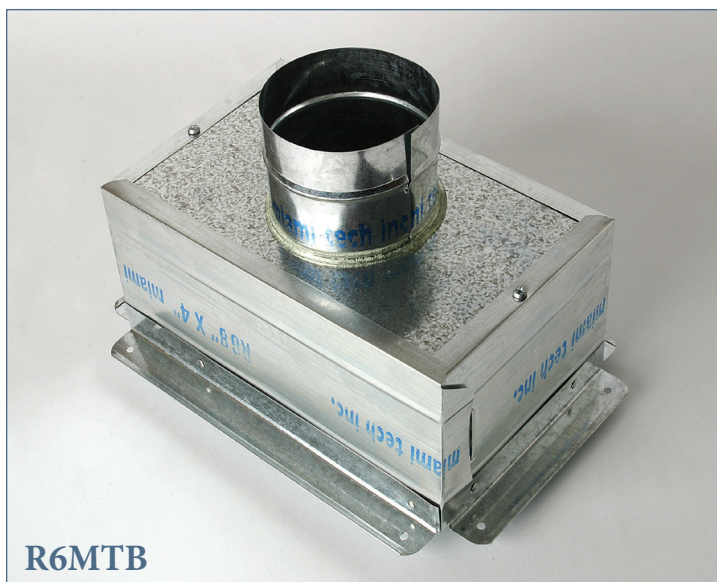
- 1" perimeter flange provided for easy installation.
- Design includes 1/2" drywall lip and rounded corners for added safety.
- Opening 1/4" oversized to accommodate register/grille.
- Dual bead box design for added strength.
- Black diffuser board coated with EPA-registered, anti-microbial, protective acrylic agent along air stream side.

**Product Models**

- R8BF: Flanged R-8 register box.
- R8BU: Unflanged R-8 register box.
- R8BFG: R-8 register box with gasket.
- R8BFGS: R-8 register box sealed with gasket.

**R-8 REGISTER BOX**

Part No.	Size	Gauge	Qty.
R8BF0604	6" x 4"	30ga	32
R8BF0606	6" x 6"	30ga	28
R8BF0804	8" x 4"	30ga	24
R8BF0806	8" x 6"	30ga	24
R8BF0808	8" x 8"	30ga	20
R8BF1006	10" x 6"	30ga	20
R8BF1008	10" x 8"	30ga	16
R8BF1010	10" x 10"	30ga	14
R8BF1206	12" x 6"	30ga	19
R8BF1208	12" x 8"	30ga	20
R8BF1212	12" x 12"	30ga	8
R8BF1406	14" x 6"	30ga	14
R8BF1408	14" x 8"	30ga	14
R8BF1414	14" x 14"	30ga	8
R8BF1606	16" x 6"	30ga	10
R8BF1608	16" x 8"	30ga	8
R8BF1616	16" x 16"	30ga	8
R8BF1818	18" x 18"	30ga	6
R8BF2020	20" x 20"	30ga	6
R8BF2424	24" x 24"	30ga	6



R6MTB

**Product Information**

- 1" perimeter flange provided for easy installation.
- Design includes 1/2" drywall lip and rounded corners for added safety.
- Opening 1/4" oversized to accommodate register/grille.
- Collar installed with expansion lock and sealed with hot melt glue.
- Black diffuser board coated with EPA-registered, anti-microbial, protective acrylic agent along air stream side.
- Dual bead box design for added strength.

**Product Models**

- R6MTB: R-6 metal top box plain.
- R6MTBU: R-6 metal top box without flange.
- R6MTBG: R-6 metal top box with gasket.

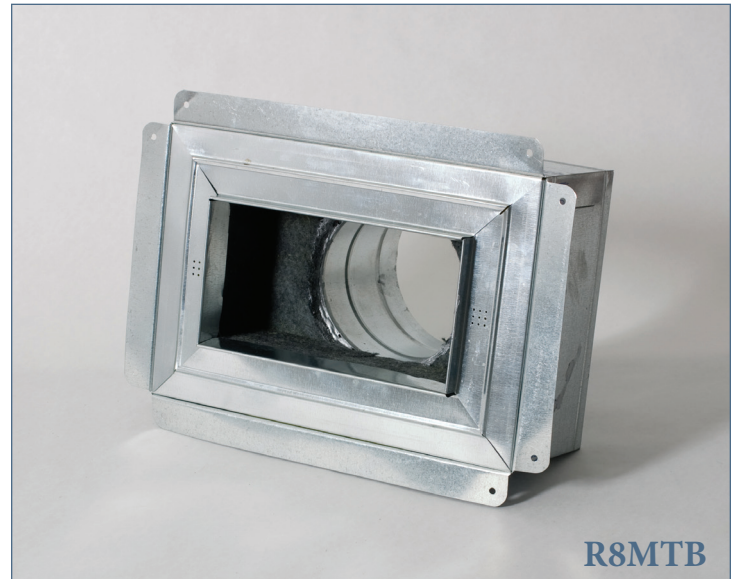
**R-6 METAL TOP BOX WITH COLLAR**

Part No.	Size	Gauge	Qty.
R6MTB060404	6" x 4" x 4"	30ga	40
R6MTB060604	6" x 6" x 4"	30ga	30
R6MTB060605	6" x 6" x 5"	30ga	30
R6MTB080404	8" x 4" x 4"	30ga	32
R6MTB080405	8" x 4" x 5"	30ga	28
R6MTB080606	8" x 6" x 6"	30ga	27
R6MTB080807	8" x 8" x 7"	30ga	20
R6MTB100605	10" x 6" x 5"	30ga	25
R6MTB100606	10" x 6" x 6"	30ga	25
R6MTB100607	10" x 6" x 7"	30ga	20
R6MTB100807	10" x 8" x 7"	30ga	20
R6MTB100808	10" x 8" x 8"	30ga	20
R6MTB101007	10" x 10" x 7"	30ga	14
R6MTB101008	10" x 10" x 8"	30ga	14
R6MTB120606	12" x 6" x 6"	30ga	20
R6MTB120607	12" x 6" x 7"	30ga	16
R6MTB120808	12" x 8" x 8"	30ga	17
R6MTB121208	12" x 12" x 8"	30ga	10
R6MTB140608	14" x 6" x 8"	30ga	12
R6MTB140808	14" x 8" x 8"	30ga	12



## R-8 METAL TOP BOX WITH COLLAR

Part No.	Size	Gauge	Qty.
R8MTB060404	6" x 4" x 4"	30ga	1
R8MTB060604	6" x 6" x 4"	30ga	1
R8MTB060605	6" x 6" x 5"	30ga	1
R8MTB080404	8" x 4" x 4"	30ga	1
R8MTB080405	8" x 4" x 5"	30ga	1
R8MTB080606	8" x 6" x 6"	30ga	1
R8MTB080807	8" x 8" x 7"	30ga	1
R8MTB100605	10" x 6" x 5"	30ga	1
R8MTB100606	10" x 6" x 6"	30ga	1
R8MTB100607	10" x 6" x 7"	30ga	1
R8MTB100807	10" x 8" x 7"	30ga	1
R8MTB100808	10" x 8" x 8"	30ga	1
R8MTB101007	10" x 10" x 7"	30ga	1
R8MTB101008	10" x 10" x 8"	30ga	1
R8MTB120606	12" x 6" x 6"	30ga	1
R8MTB120608	12" x 6" x 8"	30ga	1
R8MTB120808	12" x 8" x 8"	30ga	1
R8MTB121208	12" x 12" x 8"	30ga	1
R8MTB140608	14" x 6" x 8"	30ga	1
R8MTB140808	14" x 8" x 8"	30ga	1



R8MTB

**Product Information**

- 1" perimeter flange provided for easy installation.
- Design includes 1/2" drywall lip and rounded corners for added safety.
- Opening 1/4" oversized to accommodate register/grille.
- Collar installed with expansion lock and sealed air tight with hot melt glue.
- Black diffuser board coated with EPA-registered, anti-microbial, protective acrylic agent along air stream side.
- Dual bead box design for added strength.

**Product Models**

- R8MTB: R-8 metal top box plain.
- R8MTBU: R-8 metal top box without flange.
- R8MTBG: R-8 metal top box with gasket.

## SIDE-OUTLET REGISTER BOX

Part No.	Size	Gauge	Qty.
R6SRB060404	6" x 4" x 4"	30ga	1
R6SRB060604	6" x 6" x 4"	30ga	1
R6SRB060605	6" x 6" x 5"	30ga	1
R6SRB080404	8" x 4" x 4"	30ga	1
R6SRB080405	8" x 4" x 5"	30ga	1
R6SRB080806	8" x 8" x 6"	30ga	1
R6SRB080807	8" x 8" x 7"	30ga	1
R6SRB101007	10" x 10" x 7"	30ga	1
R6SRB101008	10" x 10" x 8"	30ga	1
R6SRB120606	12" x 6" x 6"	30ga	1
R6SRB120808	12" x 8" x 8"	30ga	1
R6SRB121208	12" x 12" x 8"	30ga	1
R6SRB140606	14" x 6" x 6"	30ga	1
R6SRB140807	14" x 8" x 7"	30ga	1
R6SRB160807	16" x 8" x 7"	30ga	1
R6SRB160808	16" x 8" x 8"	30ga	1
R6SRB161607	16" x 16" x 7"	30ga	1
R6SRB161608	16" x 16" x 8"	30ga	1
R6SRB181808	18" x 18" x 8"	30ga	1
R6SRB242407	24" x 24" x 7"	30ga	1



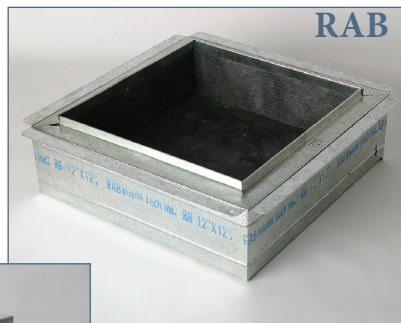
SRB

**Product Information**

- 1" perimeter flange provided for easy installation.
- Design includes 1/2" drywall lip and rounded corners for added safety.
- Opening 1/4" oversized to accommodate register/grille.
- Dual bead box design for added strength.
- Black diffuser board coated with EPA-registered, anti-microbial, protective acrylic agent along air stream side.
- Collar installed with expansion lock and sealed air tight with hot melt glue.

**Product Models**

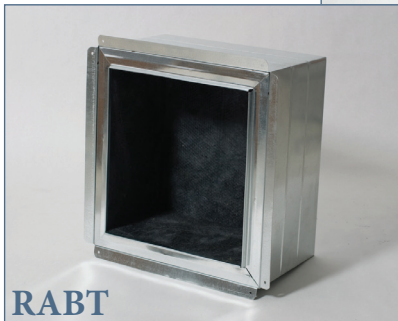
- R6SRB: R-6 side-outlet register box.



RAB

## RETURN AIR BOX

Part No.	Size	Gauge	Qty.
R6RAB1212	12" x 12"	30ga	12
R6RAB1414	14" x 14"	30ga	8
R6RAB1616	16" x 16"	30ga	8
R6RAB1812	18" x 12"	30ga	8
R6RAB1818	18" x 18"	30ga	7
R6RAB2020	20" x 20"	30ga	6
R6RAB2412	24" x 12"	30ga	6
R6RAB2418	24" x 18"	30ga	6
R6RAB2424	24" x 24"	30ga	6
R6RAB3018	30" x 18"	30ga	5



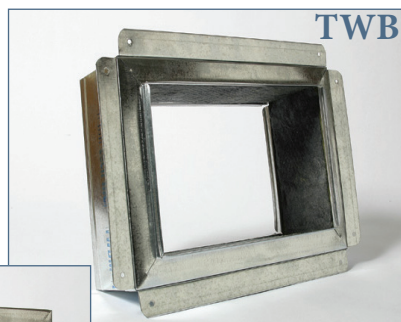
RABT

**Product Information**

- Design includes 1/2" drywall lip and rounded corners for added safety.
- Opening 1/4" oversized to accommodate filter grilles.
- Dual bead box design for added strength.
- Black diffuser board coated with EPA-registered, anti-microbial, protective acrylic agent along air stream side.

**Product Models**

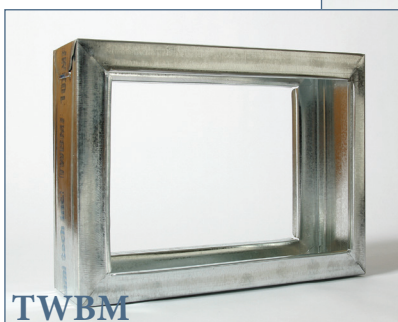
- R6RAB: R-6 return air box with 4.5" tall body.
- R6RABT: R-6 return air box with 9.25" tall body.



TWB

THRU-WALL BOX  
(RETURN-AIR TRANSFER BOX)

Part No.	Size	Gauge	Qty.
TWB0804	8" x 4"	28ga	1
TWB0806	8" x 6"	28ga	1
TWB0808	8" x 8"	28ga	1
TWB1006	10" x 6"	28ga	1
TWB1008	10" x 8"	28ga	1
TWB1010	10" x 10"	28ga	1
TWB1206	12" x 6"	28ga	1
TWB1208	12" x 8"	28ga	1
TWB1210	12" x 10"	28ga	1
TWB1212	12" x 12"	28ga	1
TWB1406	14" x 6"	28ga	1
TWB1408	14" x 8"	28ga	1
TWB1410	14" x 10"	28ga	1
TWB1412	14" x 12"	28ga	1
TWB1414	14" x 14"	28ga	1
TWB1606	16" x 6"	28ga	1
TWB1608	16" x 8"	28ga	1
TWB1610	16" x 10"	28ga	1



TWBM

**Product Information**

- Design includes 1/2" drywall lip and rounded corners for added safety.
- Opening 1/4" oversized to accommodate register/grille.
- Black diffuser board coated with EPA-registered, anti-microbial, protective acrylic agent along air stream side.

**Product Models**

- TWB: Insulated metal thru-wall box with flange.
- TWBM: Non-insulated thru-wall box plain without flange.
- TWBMF: Non-insulated thru-wall box with flange.



## MOBILE HOME RETURN BOX

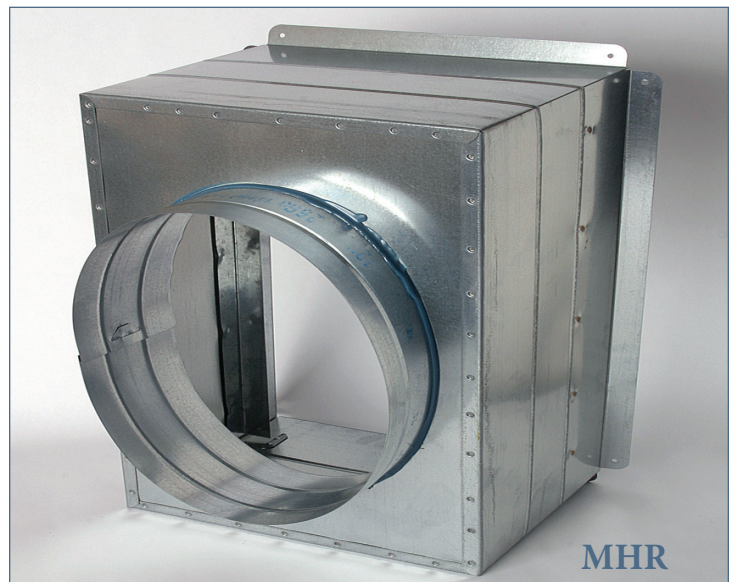
### Product Information

- Factory-installed filter rack.
- Collars sealed with UL approved sealant.
- Box opening 1/4" oversized to accommodate register grilles.
- Flange base provides a solid fastening surface.
- Long galvanized collar allows for an easy union to other components.

### Product Models

- MHR: 9.25" tall
- MHRS: 4.5" tall

Part No.	Size	Gauge	Qty.
MHR122012	12" x 20" x 12"	26ga	1
MHR141410	14" x 14" x 10"	26ga	1
MHR141412	14" x 14" x 12"	26ga	1
MHR142012	14" x 20" x 12"	26ga	1
MHR142014	14" x 20" x 14"	26ga	1



## FIBERGLASS SLANTED REGISTER BOX

Part No.	Size	Qty.
R6SFGB0604	6" x 4"	1
R6SFGB0606	6" x 6"	1
R6SFGB0804	8" x 4"	1
R6SFGB0806	8" x 6"	1
R6SFGB0808	8" x 8"	1
R6SFGB1006	10" x 6"	1
R6SFGB1008	10" x 8"	1
R6SFGB1010	10" x 10"	1
R6SFGB1206	12" x 6"	1
R6SFGB1208	12" x 8"	1
R6SFGB1212	12" x 12"	1
R6SFGB1406	14" x 6"	1
R6SFGB1408	14" x 8"	1
R6SFGB1414	14" x 14"	1
R6SFGB1606	16" x 6"	1
R6SFGB1608	16" x 8"	1
R6SFGB1616	16" x 16"	1
R6SFGB1818	18" x 18"	1
R6SFGB2020	20" x 20"	1
R6SFGB2424	24" x 24"	1



### Product Information

- Insulated with R-4 or R-6 fiberglass ductboard.
- 1" perimeter flange provided for easy installation.
- Design includes 1/2" drywall lip and rounded corners for added safety.
- Fiberglass ductboard coated with EPA registered anti-microbial protective acrylic agent along air stream side.
- Fiberglass register boxes can be easily field cut to fit a variety of collar sizes.

## ADJUSTABLE ELBOWS

### Product Information

- Crimped on one end.
- Available in 45 degree model (AE-45).
- Packaging available in donuts upon request.
- Sizes 4"-14" sold boxed.



AE

30 Gauge Elbows			
Part No.	Size	Gauge	Qty.
AE303	3"	30ga	12
AE304	4"	30ga	12
AE305	5"	30ga	12
AE306	6"	30ga	12
AE307	7"	30ga	12
AE308	8"	30ga	12
AE309	9"	30ga	9
AE3010	10"	30ga	9
AE3012	12"	30ga	4



Elbow sizes 4" thru 14" are sold boxed.

28 Gauge Elbows			
Part No.	Size	Gauge	Qty.
AE2810	10"	28ga	9
AE2812	12"	28ga	4
AE2814	14"	28ga	4



AE

26 Gauge Elbows			
Part No.	Size	Gauge	Qty.
AE263	3"	26ga	12
AE264	4"	26ga	12
AE265	5"	26ga	12
AE266	6"	26ga	12
AE267	7"	26ga	12
AE268	8"	26ga	12
AE269	9"	26ga	9
AE2610	10"	26ga	9
AE2612	12"	26ga	4
AE2614	14"	26ga	4
AE2616	16"	26ga	4
AE2618	18"	26ga	4
AE2620	20"	26ga	4



## SNAP LOCK PIPE

### Product Information

- All snap lock pipes are quick-button lock.
- Sizes 8" and larger are ribbed.
- Available in 24 gauge in 3ft sections for size 10" and larger (SLP24).
- Custom sizes available upon request.

26 Gauge			
Part No.	Diameter	Length	Qty.
SLP264	4"	5 ft.	25 ft.
SLP265	5"	5 ft.	50 ft.
SLP266	6"	5 ft.	50 ft.
SLP267	7"	5 ft.	50 ft.
SLP268	8"	5 ft.	50 ft.
SLP2610	10"	5 ft.	50 ft.
SLP2612	12"	5 ft.	50 ft.
SLP2614	14"	5 ft.	50 ft.
SLP26163	16"	3 ft.	30 ft.
SLP26183	18"	3 ft.	30 ft.
SLP26203	20"	3ft.	30 ft.

28 Gauge			
Part No.	Diameter	Length	Qty.
SLP284	4"	5 ft.	25 ft.
SLP285	5"	5 ft.	50 ft.
SLP286	6"	5 ft.	50 ft.
SLP287	7"	5 ft.	50 ft.
SLP288	8"	5 ft.	50 ft.
SLP2810	10"	5 ft.	50 ft.
SLP2812	12"	5 ft.	50 ft.
SLP2814	14"	5 ft.	50 ft.



30 Gauge			
Part No.	Diameter	Length	Qty.
SLP303	3"	5 ft.	25 ft.
SLP304	4"	5 ft.	25 ft.
SLP305	5"	5 ft.	50 ft.
SLP306	6"	5 ft.	50 ft.
SLP307	7"	5 ft.	50 ft.
SLP308	8"	5 ft.	50 ft.
SLP309	9"	5 ft.	50 ft.
SLP3010	10"	5 ft.	50 ft.
SLP3012	12"	5 ft.	50 ft.

## RIGID VENT PIPE

### Product Information

- Crimped on one end.
- Mechanically locked seam, no assembly required.
- Shipped in crates.

Part No.	Diameter	Length	Gauge	Qty.
RVP3-30	3"	10 ft.	30ga	1500 ft.
RVP4-30	4"	10 ft.	30ga	900 ft.
RVP3-28	3"	10 ft.	28ga	1500 ft.
RVP4-28	4"	10 ft.	28ga	900 ft.
RVP3	3"	10 ft.	26ga	1500 ft.
RVP4	4"	10 ft.	26ga	900 ft.





## METAL TEE

### Product Information

- Available in 24 gauge in sizes 6" and larger.

Part No.	Size	Gauge	Qty.
TEE3	3"	30ga	15
TEE4	4"	30ga	15
TEE5	5"	30ga	15
TEE6	6"	30ga	15
TEE7	7"	30ga	15
TEE8	8"	30ga	1
TEE9	9"	28ga	1
TEE10	10"	28ga	1
TEE12	12"	28ga	1
TEE14	14"	26ga	1
TEE16	16"	26ga	1
TEE18	18"	26ga	1



## END CAP

### Product Information

- Available in 24 gauge.
- Custom sizes available upon request.

Part No.	Size	Gauge	Qty.
EC4	4"	26ga	1
EC5	5"	26ga	1
EC6	6"	26ga	1
EC7	7"	26ga	1
EC8	8"	26ga	1
EC9	9"	26ga	1
EC10	10"	26ga	1
EC12	12"	26ga	1
EC14	14"	26ga	1
EC16	16"	26ga	1
EC18	18"	26ga	1



METAL REDUCER

Part No.	Size	Gauge	Qty.
RED43	4" x 3"	28ga	20
RED54	5" x 4"	28ga	20
RED64	6" x 4"	28ga	20
RED65	6" x 5"	28ga	20
RED75	7" x 5"	28ga	20
RED76	7" x 6"	28ga	20
RED86	8" x 6"	28ga	20
RED87	8" x 7"	28ga	20
RED97	9" x 7"	28ga	20
RED98	9" x 8"	28ga	20
RED106	10" x 6"	28ga	20
RED108	10" x 8"	28ga	20
RED109	10" x 9"	28ga	20
RED1210	12" x 10"	28ga	20
RED1410	14" x 10"	28ga	1
RED1412	14" x 12"	28ga	1
RED1612	16" x 12"	28ga	1
RED1816	18" x 16"	28ga	1
RED2018	20" x 18"	28ga	1



**Product Models**

- RED: Standard metal reducer.
- FRED: Flat metal reducer.
- RED-NC: Standard metal reducer without crimp.

RECTANGULAR TRANSITION (WITH GASKET)

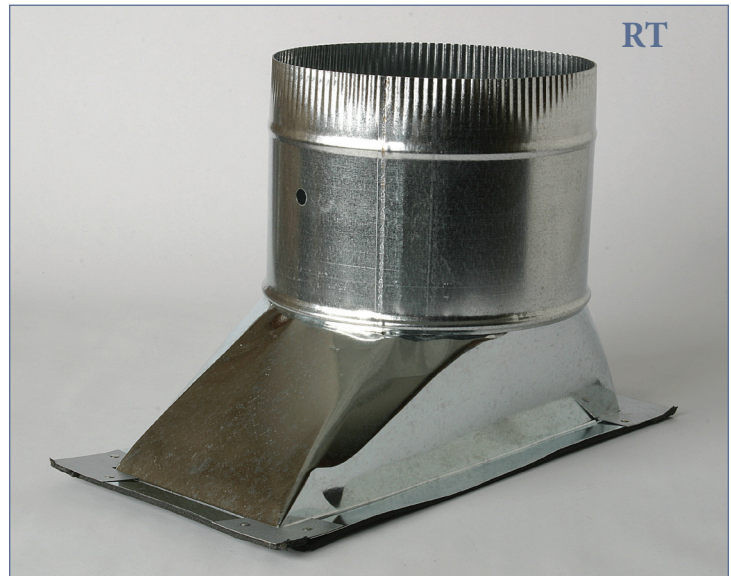
**Product Information**

- Continuous welded seam prevents air leakage.
- 1" pre-drilled flange with gasket face helps provide a secure connection.

**Product Models**

- RT: Plain rectangular transition.
- RTD: Rectangular transition with damper.
- RTDS: Rectangular transition with damper and 2" stand-off.
- RTDS-HD: Heavy-duty rectangular transition with damper and 2" stand-off.
- RTDS-HDG: Heavy-duty rectangular transition with damper, 2" stand-off and blade total-seal gasket.
- Refer to page 33 for hardware details.

Part No.	Size	Gauge	Qty.
RT4	4"	28ga	1
RT5	5"	28ga	1
RT6	6"	28ga	1
RT7	7"	28ga	1
RT8	8"	28ga	1
RT10	10"	28ga	1
RT12	12"	28ga	1
RT14	14"	28ga	1
RT16	16"	28ga	1
RT18	18"	28ga	1

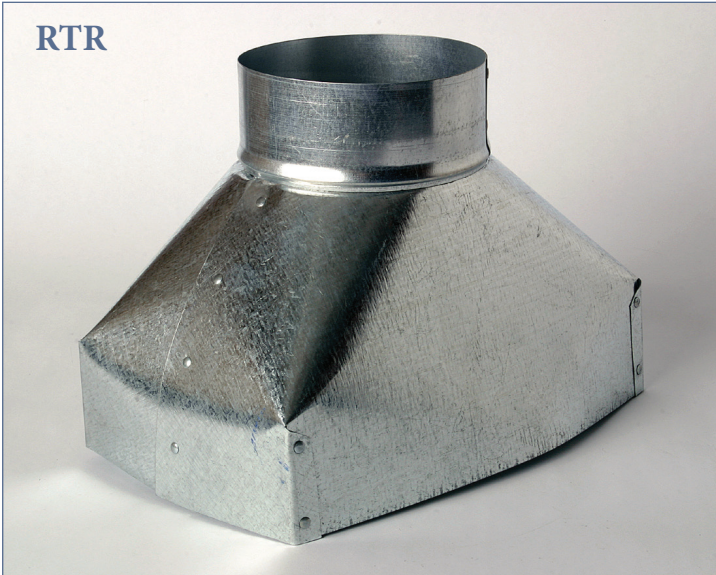


RTD

RTDS

RTDS-HD

**RTR**



**RECTANGULAR TO ROUND ADAPTER**

**Product Information**

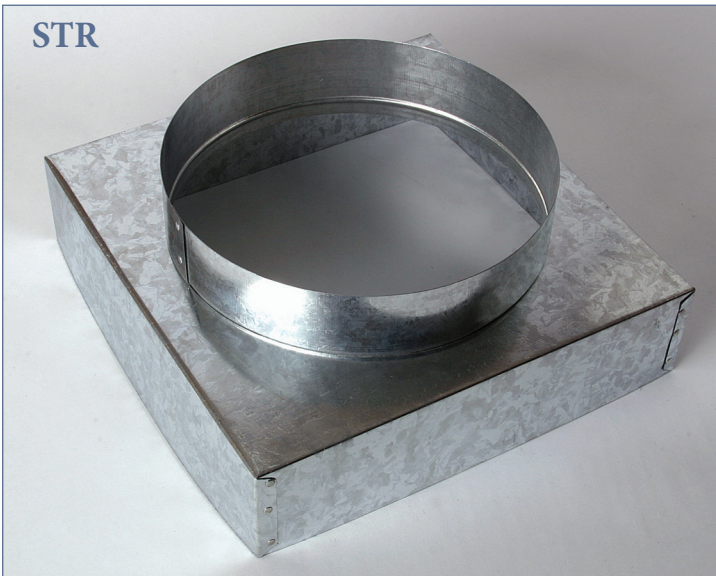
- Rectangular end fits over grille neck.
- Round collar is oversized with a bead to accept pipe or flexible duct.
- Custom sizes available upon request.

Part No.	Rectangle Size	Round Size	Gauge	Qty.
RTR644	6" x 4"	4"	26ga	1
RTR844	8" x 4"	4"	26ga	1
RTR866	8" x 6"	6"	26ga	1
RTR1066	10" x 6"	6"	26ga	1
RTR1088	10" x 8"	8"	26ga	1
RTR1244	12" x 4"	4"	26ga	1
RTR1266	12" x 6"	6"	26ga	1
RTR1288	12" x 8"	8"	26ga	1
RTR121010	12" x 10"	10"	26ga	1
RTR1466	14" x 6"	6"	26ga	1
RTR1488	14" x 8"	8"	26ga	1
RTR141010	14" x 10"	10"	26ga	1
RTR141212	14" x 12"	12"	26ga	1

**Product Models**

- RTR: Plain rectangular to round adapter.
- RTRF: Rectangular to round adapter with flange.
- RTR-24: Rectangular to round adapter in 24ga.

**STR**



**SQUARE TO ROUND ADAPTER**

**Product Information**

- Square end fits over grille neck.
- Round collar is oversized with a bead to accept pipe or flexible duct.
- Custom sizes available upon request.

Part No.	Square Size	Round Size	Gauge	Qty.
STR666	6" x 6"	6"	26ga	1
STR888	8" x 8"	8"	26ga	1
STR101010	10" x 10"	10"	26ga	1
STR121212	12" x 12"	12"	26ga	1
STR141414	14" x 14"	14"	26ga	1
STR161616	16" x 16"	16"	26ga	1
STR181818	18" x 18"	18"	26ga	1
STR222222	22" x 22"	22"	26ga	1

**Product Models**

- STR: Square to round adapter, 2" tall body.
- STRB: Square to round adapter, 4" tall body.
- STRC: Square to round adapter, 6" tall body.
- STR-F: Square to round adapter with flange.
- STR-24: Square to round adapter in 24 gauge.



**IN-LINE WYE**

Part No.	Size	Gauge	Qty.
ILW444	4" x 4" x 4"	30ga	15
ILW544	5" x 4" x 4"	30ga	15
ILW554	5" x 5" x 4"	30ga	15
ILW555	5" x 5" x 5"	30ga	15
ILW644	6" x 4" x 4"	30ga	15
ILW666	6" x 6" x 6"	30ga	15
ILW866	8" x 6" x 6"	30ga	15
ILW12128	12" x 12" x 8"	28ga	1
ILW121010	12" x 10" x 10"	28ga	1
ILW141212	14" x 12" x 12"	28ga </td <td>1</td>	1



**BULL-NOSE WYE**

Part No.	Size	Gauge	Qty.
BNW43	4" x 3" x 3"	30ga	15
BNW44	4" x 4" x 4"	30ga	15
BNW54	5" x 4" x 4"	30ga	15
BNW55	5" x 5" x 5"	30ga	15
BNW64	6" x 4" x 4"	30ga	15
BNW66	6" x 6" x 6"	30ga	15
BNW86	8" x 6" x 6"	30ga	15
BNW108	10" x 8" x 8"	28ga	1
BNW1210	12" x 10" x 10"	28ga	1
BNW1212	12" x 12" x 12"	28ga	1
BNW1412	14" x 12" x 12"	28ga	1
BNW1814	18" x 14" x 14"	26ga	1
BNW2016	20" x 16" x 16"	26ga	1
BNW2218	22" x 18" x 18"	26ga	1
BNW2418	24" x 18" x 18"	24ga	1
BNW2420	24" x 20" x 20"	24ga	1



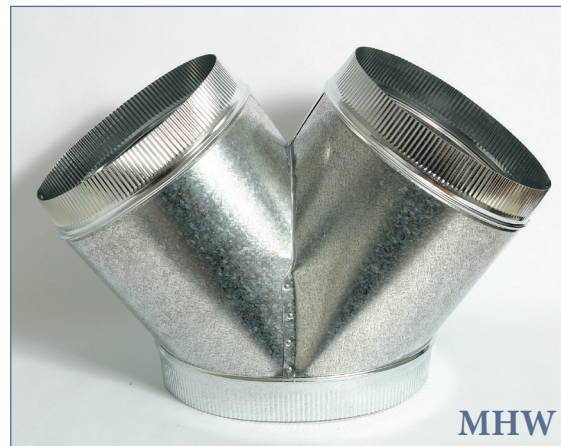
**ADJUSTABLE WYE (TWO WAY)**

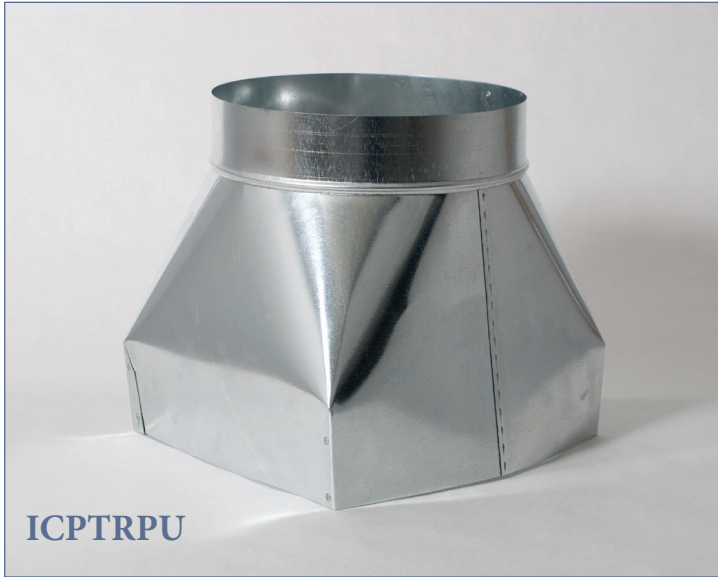
Part No.	Size	Gauge	Qty.
AWT64	6" x 4" x 4"	30ga	1
AWT75	7" x 5" x 5"	30ga	1
AWT86	8" x 6" x 6"	30ga	1
AWT97	9" x 7" x 7"	28ga	1
AWT108	10" x 8" x 8"	28ga	1
AWT1210	12" x 10" x 10"	28ga	1



**MOBILE HOME WYE / 965**

Part No.	Size	Gauge	Qty.
MHW121010	12" x 10" x 10"	30ga	1
MHW121212	12" x 12" x 12"	30ga	1
MHW141212	14" x 12" x 12"	30ga	1

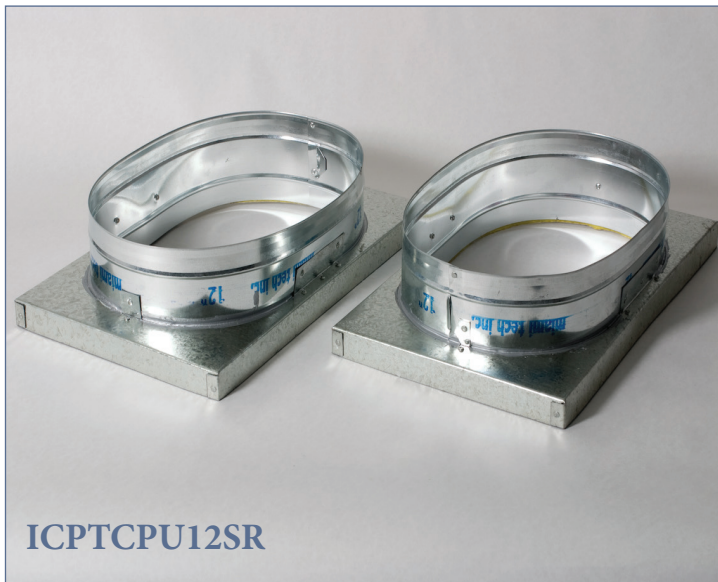




TAKE-OFF COLLAR  
FOR ICP PACKAGE-UNIT

ICPTRPU

Part No.	Size	Gauge	Qty.
ICPTRPU161012	16" x 10" x 12"	26ga	1
ICPTRPU161014	16" x 10" x 14"	26ga	1
ICPTRPU161016	16" x 10" x 16"	26ga	1



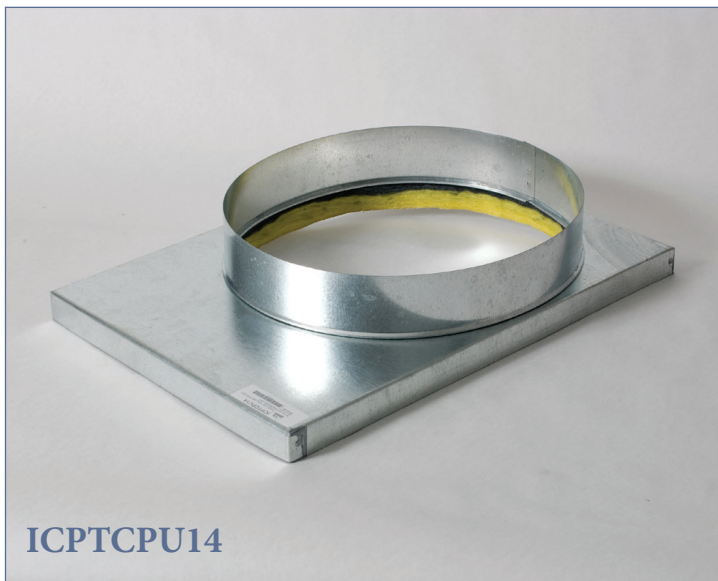
TAKE-OFF COLLAR  
FOR ICP PACKAGE-UNIT

ICPTCPU12SR

**Product Information**

- Sold in sets of 2 (supply and return are same size).

Part No.	Size	Gauge	Qty.
ICPTCPU12SR	10" x 16" x 12"	26ga	1 set (2pcs)



TAKE-OFF COLLAR  
FOR ICP PACKAGE-UNIT

ICPTCPU14

Part No.	Size	Gauge	Qty.
ICPTCPU14	14" x 20" x 14"	26ga	1



## TAKE-OFF COLLAR FOR RHEEM/RUUD PACKAGE-UNIT

**Product Information**

- Sold in sets of 2 (supply and return are same size).

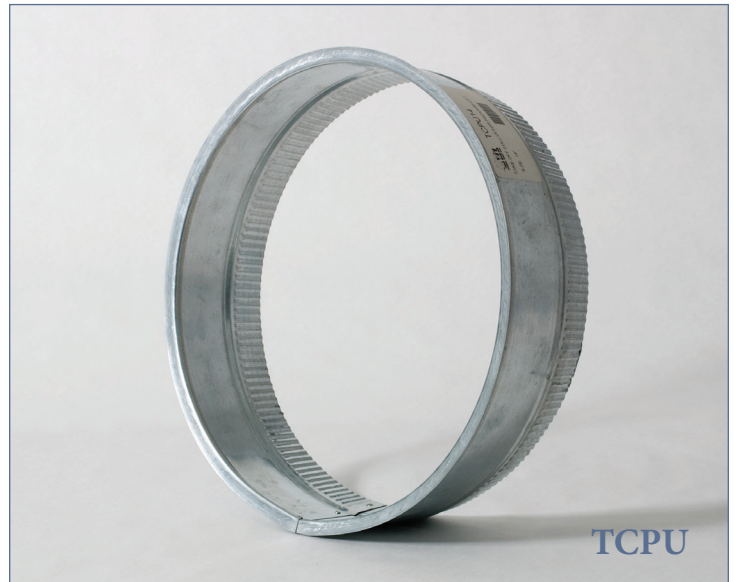
Part No.	Size (Diameter)	Gauge	Qty.
RTCPU12SR	12"	26ga	1 set (2pcs)
RTCPU14SR	14"	26ga	1 set (2pcs)



RTCPU

## TAKE-OFF COLLAR FOR NORDYNE PACKAGE-UNIT

Part No.	Size (Diameter)	Gauge	Qty.
TCPU12	12"	26ga	1
TCPU14	14"	26ga	1



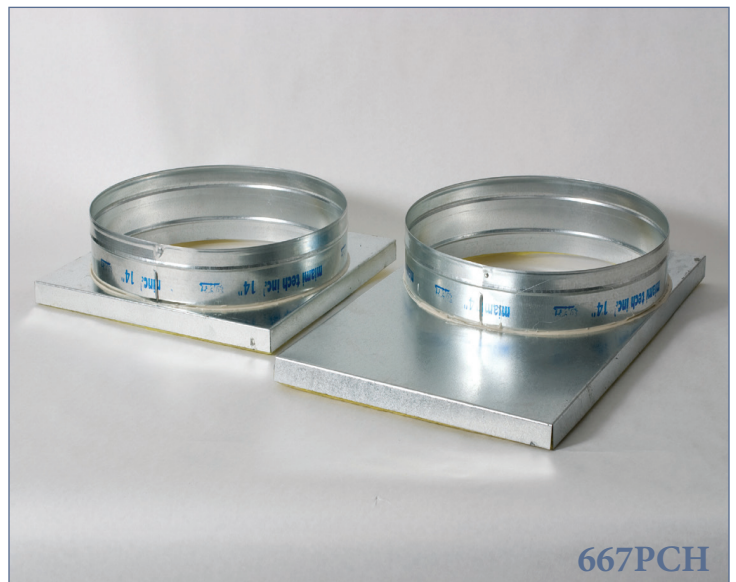
TCPU

## TAKE-OFF COLLAR FOR DAIKIN PACKAGE-UNIT

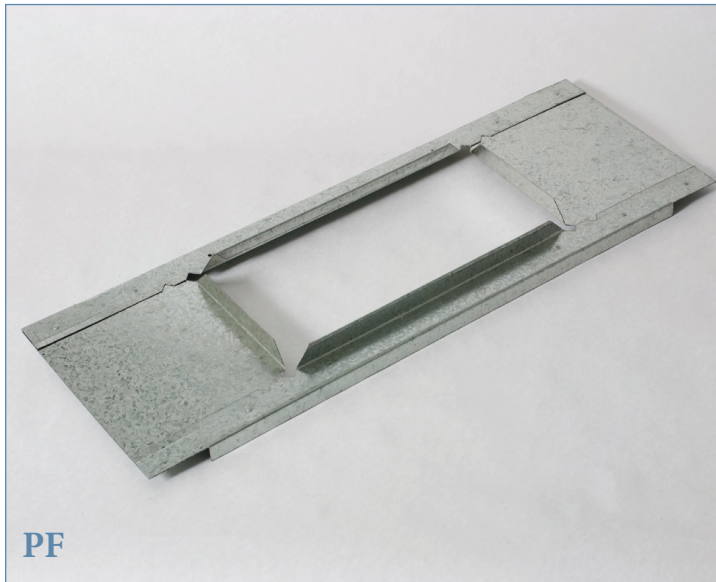
**Product Information**

- Sold in sets of 2 (supply and return are same size).

Part No.	Supply Size	Return Size	Gauge	Qty.
667PCH2	14-3/16" x 14-3/16"	14-3/16" x 22-3/16"	26ga	1 set
667PCH3	14-3/16" x 14-3/16"	14-3/16" x 24-3/16"	26ga	1 set



667PCH

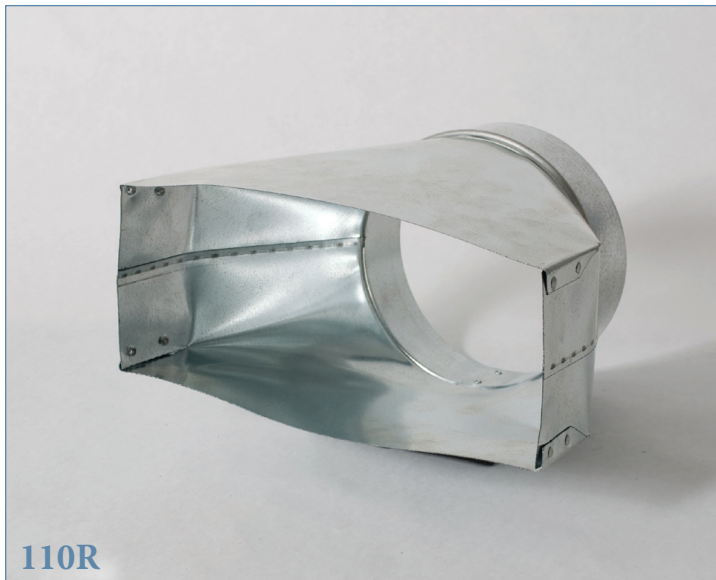


## PLASTER GROUND FRAME

### Product Information

- Design includes a 1/2" drywall lip and rounded corners for added safety.
- Opening is 1/4" oversized to accommodate register/grille.
- Standard height of 9".
- Dual bead box design for added strength.

Part No.	Size	Gauge	Qty.
PF0804-24	8" x 4"	28ga	1
PF1004-24	10" x 4"	28ga	1
PF1006-24	10" x 6"	28ga	1
PF1204-24	12" x 4"	28ga	1
PF1206-24	12" x 6"	28ga	1
PF1404-24	14" x 4"	28ga	1
PF1406-24	14" x 6"	28ga	1



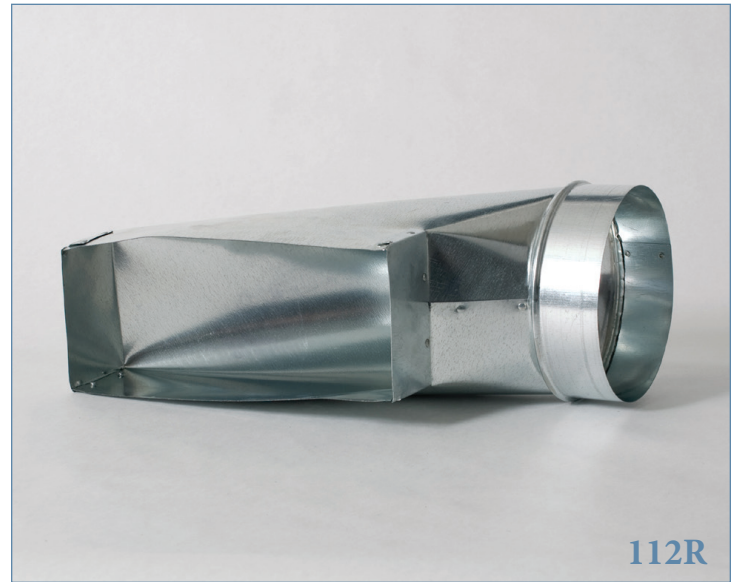
## STRAIGHT REGISTER BOOT

Part No.	Size	Gauge	Qty.
110R080404	8" x 4" x 4"	26ga	1
110R080405	8" x 4" x 5"	26ga	1
110R100405	10" x 4" x 5"	26ga	1
110R100406	10" x 4" x 6"	26ga	1
110R100604	10" x 6" x 4"	26ga	1
110R100605	10" x 6" x 5"	26ga	1
110R100606	10" x 6" x 6"	26ga	1
110R120405	12" x 4" x 5"	26ga	1
110R120406	12" x 4" x 6"	26ga	1
110R120606	12" x 6" x 6"	26ga	1
110R120608	12" x 6" x 8"	26ga	1
110R120808	12" x 8" x 8"	26ga	1
110R140406	14" x 4" x 6"	26ga	1
110R140408	14" x 4" x 8"	26ga	1
110R140610	14" x 6" x 10"	26ga	1



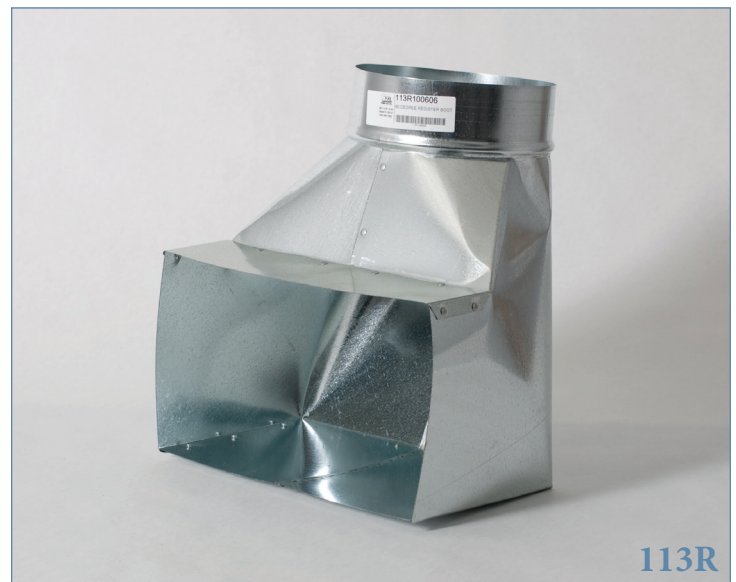
## CENTER-END REGISTER BOOT

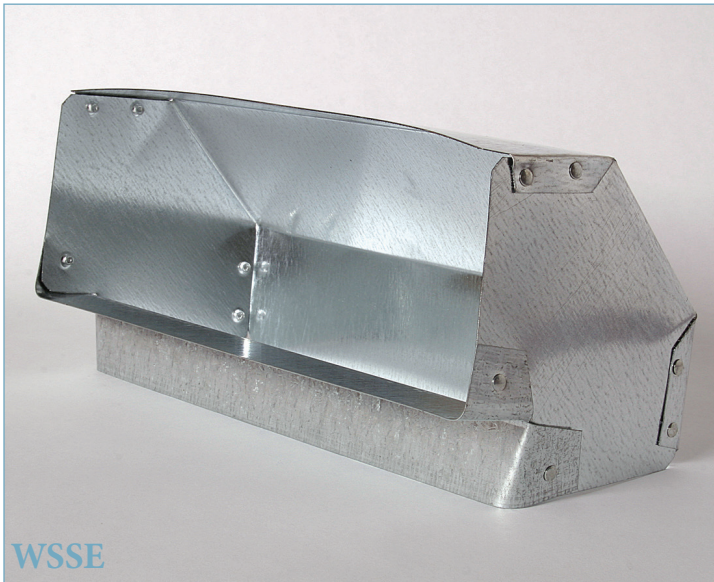
Part No.	Size	Gauge	Qty.
112R080404	8" x 4" x 4"	26ga	1
112R080405	8" x 4" x 5"	26ga	1
112R100405	10" x 4" x 5"	26ga	1
112R100406	10" x 4" x 6"	26ga	1
112R100604	10" x 6" x 4"	26ga </td <td>1</td>	1
112R100605	10" x 6" x 5"	26ga	1
112R100606	10" x 6" x 6"	26ga	1
112R120405	12" x 4" x 5"	26ga	1
112R120406	12" x 4" x 6"	26ga	1
112R120606	12" x 6" x 6"	26ga	1
112R120608	12" x 6" x 8"	26ga	1
112R120808	12" x 8" x 8"	26ga	1
112R140406	14" x 4" x 6"	26ga	1
112R140408	14" x 4" x 8"	26ga	1
112R140610	14" x 6" x 10"	26ga	1



## ELBOW REGISTER BOOT

Part No.	Size	Gauge	Qty.
113R080404	8" x 4" x 4"	26ga	1
113R080405	8" x 4" x 5"	26ga	1
113R100405	10" x 4" x 5"	26ga	1
113R100406	10" x 4" x 6"	26ga	1
113R100604	10" x 6" x 4"	26ga	1
113R100605	10" x 6" x 5"	26ga	1
113R100606	10" x 6" x 6"	26ga	1
113R120405	12" x 4" x 5"	26ga	1
113R120406	12" x 4" x 6"	26ga	1
113R120606	12" x 6" x 6"	26ga	1
113R120608	12" x 6" x 8"	26ga	1
113R120808	12" x 8" x 8"	26ga	1
113R140406	14" x 4" x 6"	26ga	1
113R140408	14" x 4" x 8"	26ga	1
113R140610	14" x 6" x 10"	26ga	1



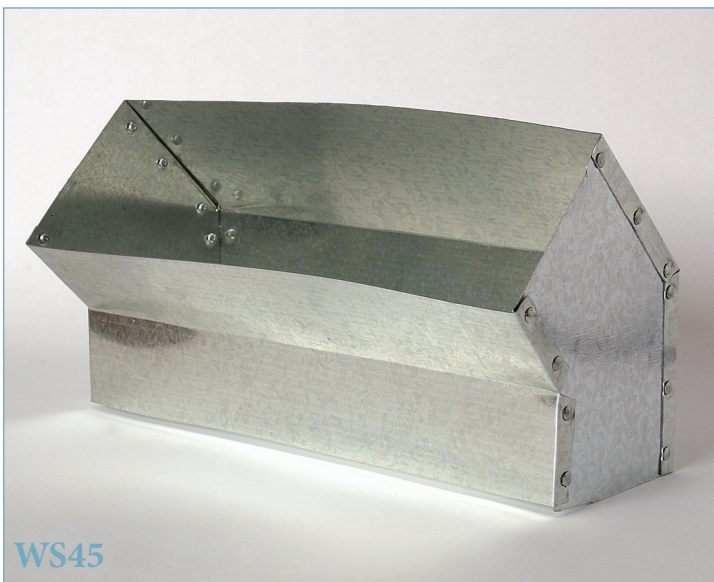


## WALL STACK SHORT-WAY ELBOW

### Product Information

- Riveted body creates strong, permanent seams.

Part No.	Size	Gauge	Qty.
WSSE10	3.25" x 10"	26ga	1
WSSE12	3.25" x 12"	26ga	1
WSSE14	3.25" x 14"	26ga	1

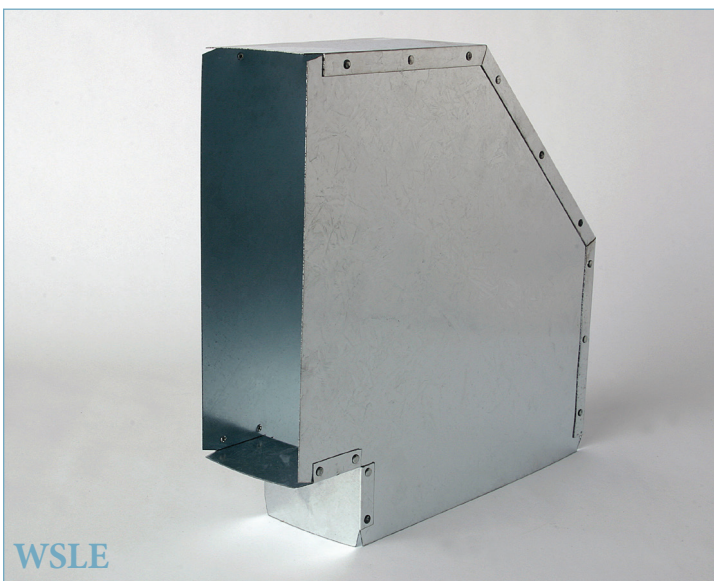


## WALL STACK SHORT-WAY ELBOW (45°)

### Product Information

- Riveted body creates strong, permanent seams.
- 45° angle.

Part No.	Size	Gauge	Qty.
WS4510	3.25" x 10"	26ga	1
WS4512	3.25" x 12"	26ga	1
WS4514	3.25" x 14"	26ga	1



## WALL STACK LONG-WAY ELBOW

### Product Information

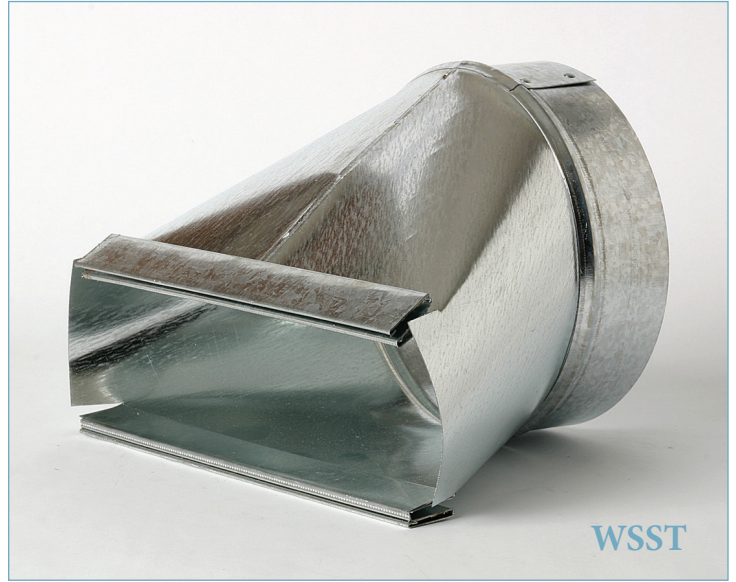
- Riveted body creates strong, permanent seams.

Part No.	Size	Gauge	Qty.
WSLE10	3.25" x 10"	26ga	1
WSLE12	3.25" x 12"	26ga	1
WSLE14	3.25" x 14"	26ga	1



## WALL STACK STRAIGHT TRANSITION

Part No.	Size	Gauge	Qty.
WSST104	3.25" x 10" x 4"	26ga	1
WSST105	3.25" x 10" x 5"	26ga	1
WSST106	3.25" x 10" x 6"	26ga	1
WSST107	3.25" x 10" x 7"	26ga	1
WSST108	3.25" x 10" x 8"	26ga	1
WSST124	3.25" x 12" x 4"	26ga	1
WSST125	3.25" x 12" x 5"	26ga	1
WSST126	3.25" x 12" x 6"	26ga	1
WSST127	3.25" x 12" x 7"	26ga	1
WSST128	3.25" x 12" x 8"	26ga	1
WSST144	3.25" x 14" x 4"	26ga	1
WSST145	3.25" x 14" x 5"	26ga	1
WSST146	3.25" x 14" x 6"	26ga	1
WSST147	3.25" x 14" x 7"	26ga	1
WSST148	3.25" x 14" x 8"	26ga	1



## WALL STACK ELBOW TRANSITION

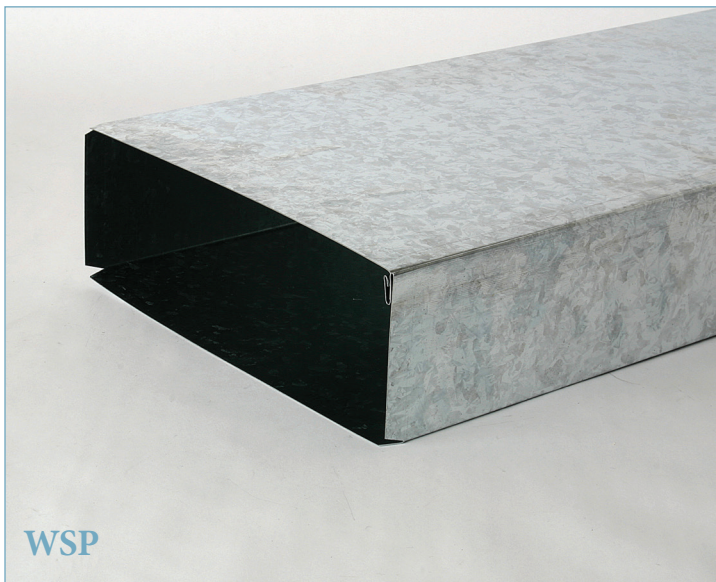
Part No.	Size	Gauge	Qty.
WSET104	3.25" x 10" x 4"	26ga	1
WSET105	3.25" x 10" x 5"	26ga	1
WSET106	3.25" x 10" x 6"	26ga	1
WSET107	3.25" x 10" x 7"	26ga	1
WSET108	3.25" x 10" x 8"	26ga	1
WSET124	3.25" x 12" x 4"	26ga	1
WSET125	3.25" x 12" x 5"	26ga	1
WSET126	3.25" x 12" x 6"	26ga	1
WSET127	3.25" x 12" x 7"	26ga	1
WSET128	3.25" x 12" x 8"	26ga	1
WSET144	3.25" x 14" x 4"	26ga	1
WSET145	3.25" x 14" x 5"	26ga	1
WSET146	3.25" x 14" x 6"	26ga	1
WSET147	3.25" x 14" x 7"	26ga	1
WSET148	3.25" x 14" x 8"	26ga	1





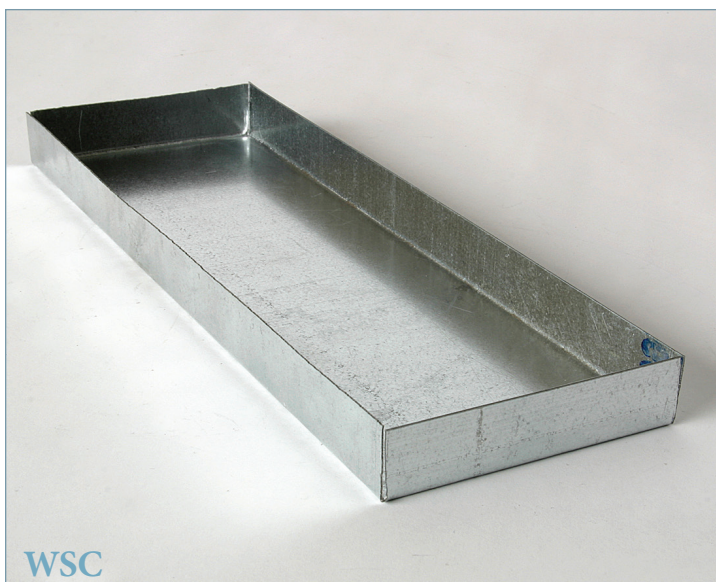
### WALL STACK CENTERED TRANSITION

Part No.	Size	Gauge	Qty.
WSCT104	3.25" x 10" x 4"	26ga	1
WSCT105	3.25" x 10" x 5"	26ga	1
WSCT106	3.25" x 10" x 6"	26ga	1
WSCT107	3.25" x 10" x 7"	26ga	1
WSCT108	3.25" x 10" x 8"	26ga	1
WSCT124	3.25" x 12" x 4"	26ga	1
WSCT125	3.25" x 12" x 5"	26ga	1
WSCT126	3.25" x 12" x 6"	26ga	1
WSCT127	3.25" x 12" x 7"	26ga	1
WSCT128	3.25" x 12" x 8"	26ga	1
WSCT144	3.25" x 14" x 4"	26ga	1
WSCT145	3.25" x 14" x 5"	26ga	1
WSCT146	3.25" x 14" x 6"	26ga	1
WSCT147	3.25" x 14" x 7"	26ga	1
WSCT148	3.25" x 14" x 8"	26ga	1



### WALL STACK PIPE

Part No.	Size	Gauge	Qty.
WSP10	3.25" x 10" x 3'	26ga	15 ft.
WSP12	3.25" x 12" x 3'	26ga	15 ft.
WSP14	3.25" x 14" x 3'	26ga	15 ft.



### WALL STACK CAP

Part No.	Size	Gauge	Qty.
WSC10	3.25" x 10"	26ga	1
WSC12	3.25" x 12"	26ga	1
WSC14	3.25" x 14"	26ga	1



## SIDE WALL CAP

### Product Information

- Discharge hood area equal or greater than inlet pipe area.
- Includes a long galvanized neck for easy union through walls to interior ducts. Stitch welded inlet pipe.

### Product Models

- SWC: Galvanized side wall cap.
- SWCD: Galvanized side wall cap with damper.

Part No.	Size	Gauge	Qty.
SWC03	3"	26ga	1
SWC04	4"	26ga	1
SWC05	5"	26ga	1
SWC06	6"	26ga	1
SWC07	7"	26ga	1
SWC08	8"	26ga	1
SWC10	10"	26ga	1
SWC12	12"	26ga	1



SWC

## TWIN SIDE WALL CAP

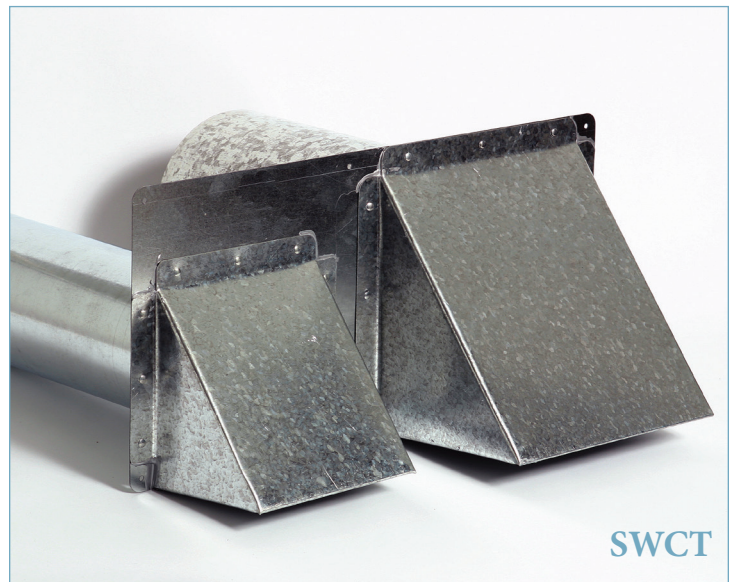
### Product Information

- Expanded metal screen keeps debris and small animals out of ductwork.
- Riveted, heat-glued seams create a strong, moisture resistant seal.
- Flanged base provides for good vent-to-wall contact and easy caulking surface.
- Includes a long galvanized neck for easy union through walls to interior ducts.

### Product Models

- SWCT: Plain twin side wall cap.
  - SWCTXDXD: Twin side wall cap with damper.
- (X to be replaced with either 4 or 6 to indicate size)

Part No.	Size	Gauge	Qty.
SWCT44	Left: 4" Right: 4"	26ga	1
SWCT64	Left: 6" Right: 4"	26ga	1
SWCT46	Left: 4" Right: 6"	26ga	1
SWCT66	Left: 6" Right: 6"	26ga	1



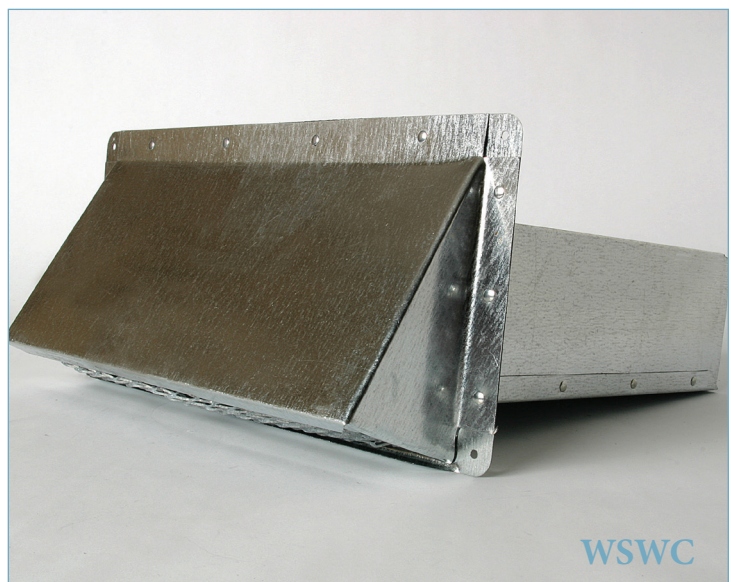
SWCT

## WALL STACK SIDE WALL CAP

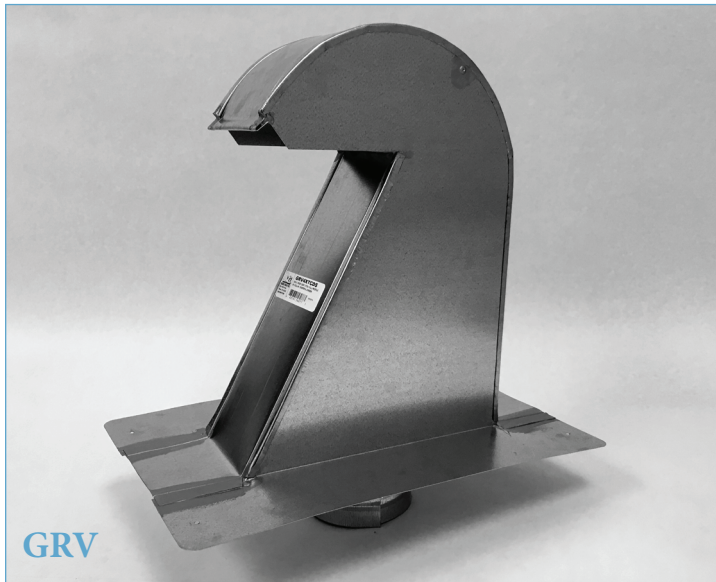
### Product Information

- Back draft damper and expanded metal screen included.
- Discharge hood area equal or greater than inlet pipe area.
- Includes damper as a standard option.
- Includes a long galvanized neck for easy union through walls to interior ducts.

Part No.	Size	Gauge	Qty.
WSWC10	10"	26ga	1
WSWC12	12"	26ga	1
WSWC14	14"	26ga	1



WSWC



## GALVANIZED ROOF VENTS

### Product Information

- Bird-screen standard on all roof vents.
- Sealed seams keep out the elements.
- Flanged base provides for good vent-to-roof contact and an easy caulking surface.

### Product Models

- GRV: Galvanized roof vent, standard profile.
- GRVT: Galvanized roof vent, tall profile.
- GRVXT: Galvanized roof vent, extra tall profile.
- GRVC: Galvanized roof vent with collar.
- GRVD: Galvanized roof vent with damper.
- GRVCD: Galvanized roof vent with collar and damper.

Part No.	Size	Profile	Gauge	Qty.
GRV4	4"	Standard	26ga	40
GRV4T	4"	Tall	26ga	25
GRV4XT	4"	Extra Tall	26ga	15
GRV6	6"	Standard	26ga	25
GRV6T	6"	Tall	26ga	20
GRV6XT	6"	Extra Tall	26ga	12
GRV7	7"	Standard	26ga	1
GRV7T	7"	Tall	26ga	1
GRV7XT	7"	Extra Tall	26ga	1
GRV8	8"	Standard	26ga	1
GRV8T	8"	Tall	26ga	1
GRV8XT	8"	Extra Tall	26ga	1
GRV10	10"	Standard	26ga	14
GRV10T	10"	Tall	26ga	8
GRV10XT	10"	Extra Tall	26ga	8
GRV12	12"	Standard	26ga	1
GRV12T	12"	Tall	26ga	1
GRV12XT	12"	Extra Tall	26ga	1
GRV14	14"	Standard	26ga	1
GRV14T	14"	Tall	26ga	1
GRV14XT	14"	Extra Tall	26ga	1



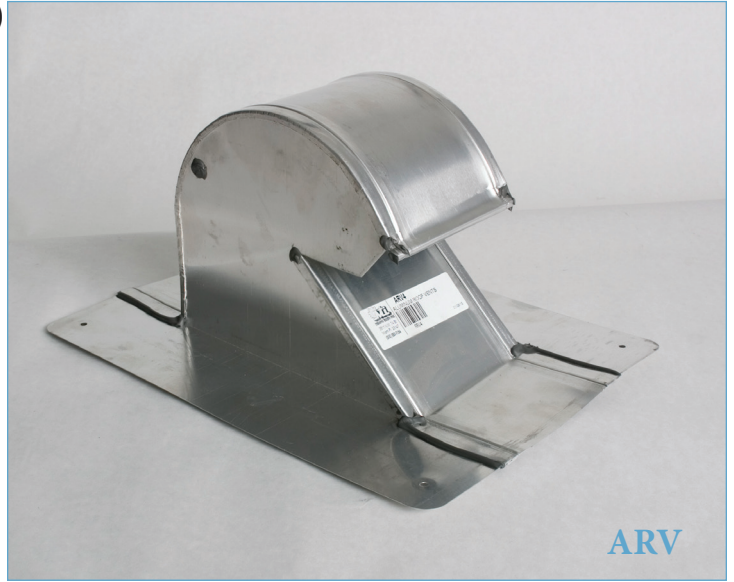
## ALUMINUM ROOF VENTS (DISCONTINUED)

### Product Information

- Bird-screen standard on all roof vents unless ordered with damper.
- Sealed seams keep out the elements.
- Flanged base provides for good vent-to-roof contact and an easy caulking surface.

### Product Models

- ARV: Aluminum roof vent, standard profile.
- ARVT: Aluminum roof vent, tall profile.
- ARVXT: Aluminum roof vent, extra tall profile.
- ARVC: Aluminum roof vent with collar.
- ARVD: Aluminum roof vent with damper.
- ARVCD: Aluminum roof vent with collar and damper.



ARV

Part No.	Size	Profile	Gauge	Qty.
ARV4	4"	Standard	26ga	40
ARV4T	4"	Tall	26ga	25
ARV4XT	4"	Extra Tall	26ga	15
ARV6	6"	Standard	26ga	25
ARV6T	6"	Tall	26ga	20
ARV6XT	6"	Extra Tall	26ga	12
ARV7	7"	Standard	26ga	1
ARV7T	7"	Tall	26ga	1
ARV7XT	7"	Extra Tall	26ga	1
ARV8	8"	Standard	26ga	1
ARV8T	8"	Tall	26ga	1
ARV8XT	8"	Extra Tall	26ga	1
ARV10	10"	Standard	26ga	14
ARV10T	10"	Tall	26ga	8
ARV10XT	10"	Extra Tall	26ga	8
ARV12	12"	Standard	26ga	1
ARV12T	12"	Tall	26ga	1
ARV12XT	12"	Extra Tall	26ga	1
ARV14	14"	Standard	26ga	1
ARV14T	14"	Tall	26ga	1
ARV14XT	14"	Extra Tall	26ga	1

## ROOF JACK (STRAIGHT / ANGLED)

### Product Information

- Acme lock seam creates a strong, rigid body.
- Seam sealed with parabond aluminum adhesive.
- Screen included on all roof jacks.

### Product Models

- SRJ: Straight roof jack, 12" clearance.
- ARJ: Angled roof jack, 12" clearance.



Straight	Angled	Size	Gauge	Qty.
SRJ4	ARJ4	4"	26ga	1
SRJ5	ARJ5	5"	26ga	1
SRJ6	ARJ6	6"	26ga	1
SRJ7	ARJ7	7"	26ga	1
SRJ8	ARJ8	8"	26ga	1
SRJ10	ARJ10	10"	26ga	1
SRJ12	ARJ12	12"	26ga	1
SRJ14	ARJ14	14"	26ga	1
SRJ16	ARJ16	16"	26ga	1
SRJ18	ARJ18	18"	26ga	1

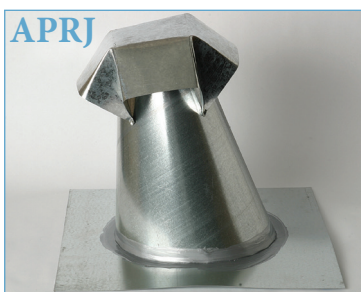
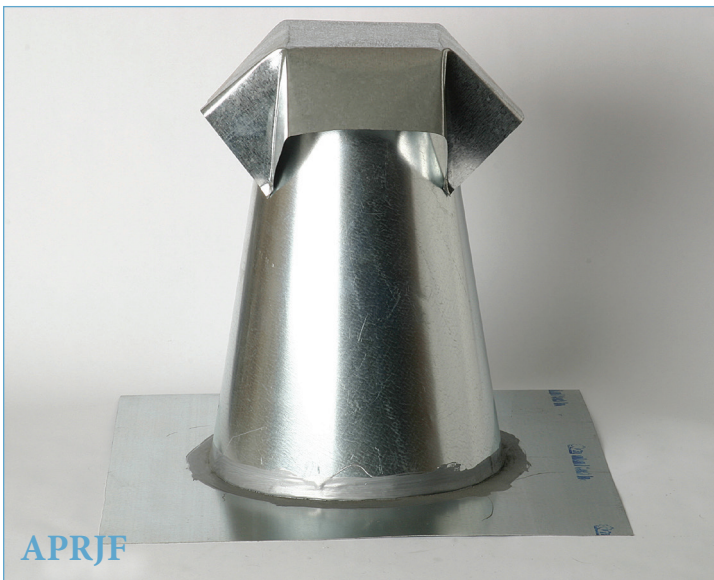
## ALL PURPOSE ROOF JACK (STRAIGHT/ ANGLED)

### Product Information

- Acme lock seam creates a strong, rigid body.
- Seam sealed with parabond aluminum adhesive.
- Screen included on all roof jacks.

### Product Models

- APRJF: All-purpose straight roof jack, 12" clearance.
- APRJ: All-purpose angled roof jack, 12" clearance.



Part No.	Size	Gauge	Qty.
APRJF	3"-10"	26ga	1
APRJ	3"-10"	26ga	1

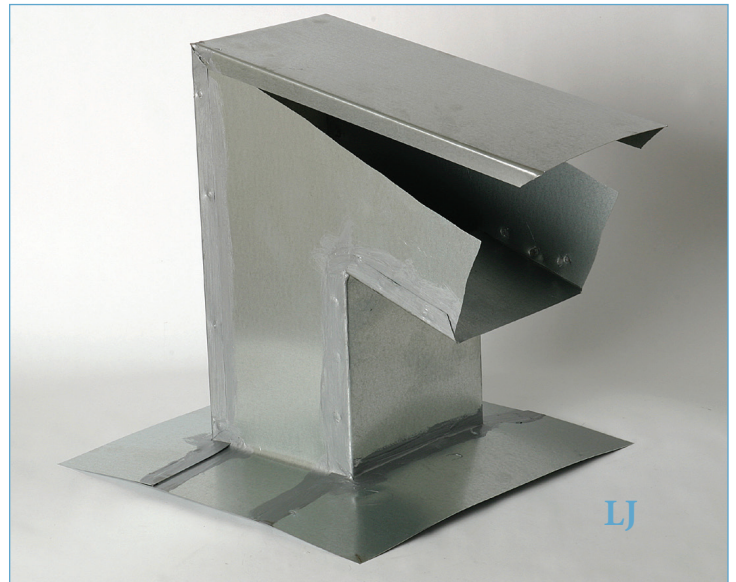


## LINE JACK

### Product Information

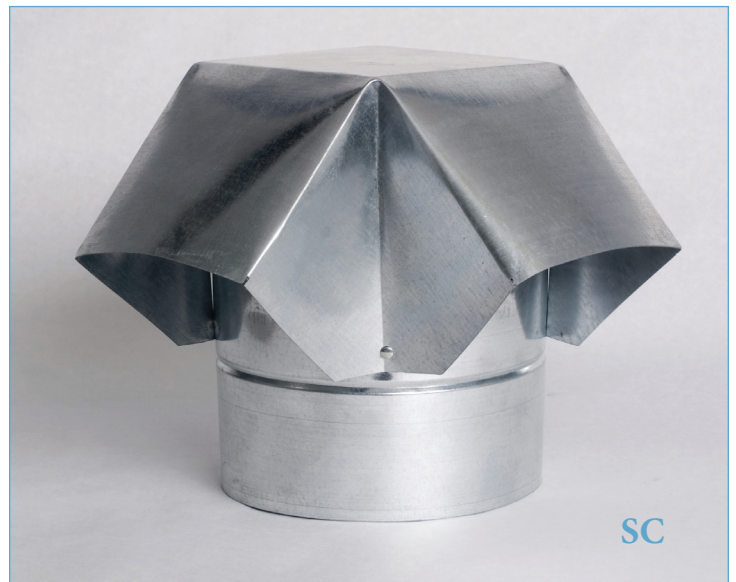
- Spot welded body with parabond sealed seams.
- 7" clearance standard.

Part No.	Size	Gauge	Qty.
LJ5	5"	26ga	1
LJ6	6"	26ga	1
LJ7	7"	26ga	1
LJ10	10"	26ga	1



## SHANTY CAP

Part No.	Size	Gauge	Qty.
SC06	6"	26ga	1
SC08	8"	26ga	1
SC10	10"	26ga	1
SC12	12"	26ga	1
SC14	14"	26ga	1



## EAVE VENT

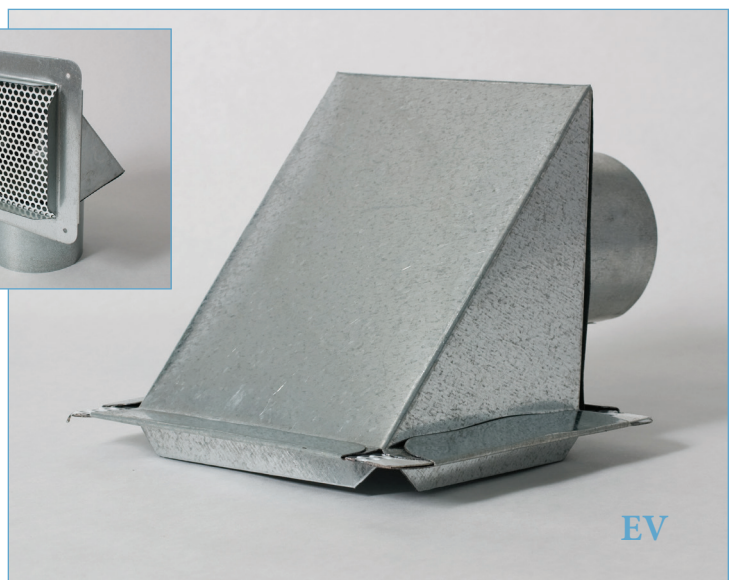
### Product Information

- Discharge hood area equal or greater than inlet pipe area.
- Stitch welded inlet tube.
- Rounded flange corners for added safety.
- Flanged base provides a solid fastening surface.

### Product Models

- EVL: Plain eave vent with 1/2" lip.
- EVDL: Eave vent with 1/2" lip and damper.

Part No.	Size	Gauge	Qty.
EV3L	3"	26ga	1
EV4L	4"	26ga	1
EV3DL	3"	26ga	1
EV4DL	4"	26ga	1



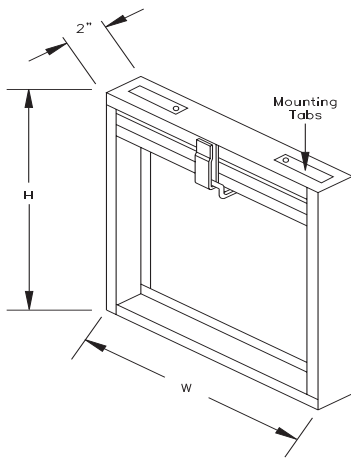
## FIRE DAMPER PRODUCT LINE

### STATIC SYSTEM APPLICATION - UL555 CLASSIFICATION

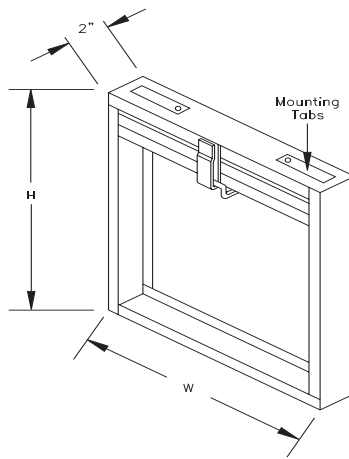
Model	Rating	Fusible Link	Blade Gauge	Closure Springs	Blade Configuration	Mounting	Page
150E	1.5 Hour	165 or 212	22ga	Stainless Steel	In Airstream	Horizontal	70
150F	3 Hour	165 or 212	22ga	N/A	In Airstream	Vertical	71

### DYNAMIC SYSTEM APPLICATION - UL555 CLASSIFICATION

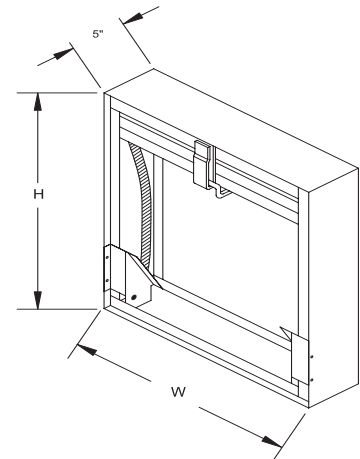
Model	Rating	Fusible Link	Blade Gauge	Closure Springs	Blade Configuration	Mounting	Page
151A	1.5 Hour	165 or 212	22ga	Stainless Steel	In Airstream	Horizontal/Vertical	72
151B	1.5 Hour	165 or 212	22ga	Stainless Steel	Out of Airstream	Horizontal/Vertical	73
151C	1.5 Hour	165 or 212	22ga	Stainless Steel	Out of Airstream	Horizontal/Vertical	74
US-3	1.5 Hour	165	16ga	Stainless Steel	In Airstream	Horizontal/Vertical	75



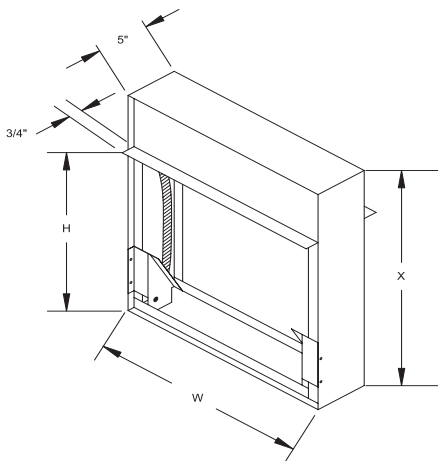
**150E**



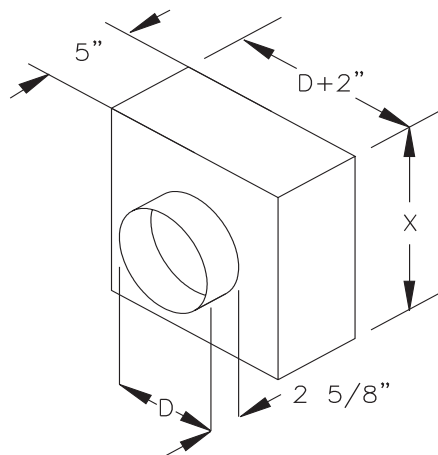
**150F**



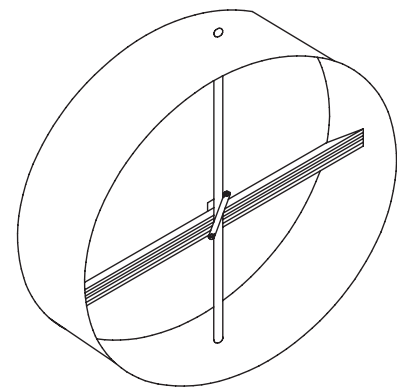
**151A**



**151B**



**151C**



**US-3**

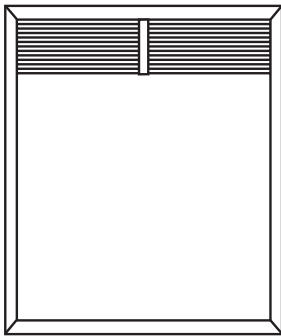


## FIRE DAMPER SELECTION GUIDE

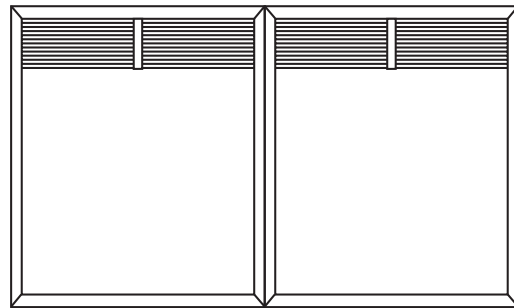
Maximum Size Availability For Static System Application Dampers				
Model	Mounting Position	Single Piece (W x H)	Two Piece (Vertical)	Four Piece
150E	Vertical	36" x 24"	N/A	N/A
150E	Horizontal/Vertical	36" x 24"	N/A	N/A
150F	Vertical	36" x 24"	N/A	N/A

Maximum Size Availability For Dynamic System Application Dampers		
Model	Mounting Position	Single Piece
151A	Horizontal/Vertical	24" x 24"
151B	Horizontal/Vertical	24" x 24"
151C	Horizontal/Vertical	22" Round
US-3	Horizontal/Vertical	12" Round

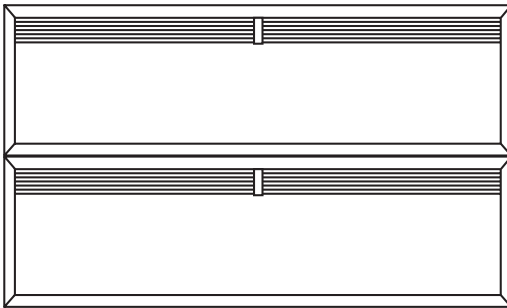
**Note:** All fire dampers are available in 1/4" increments



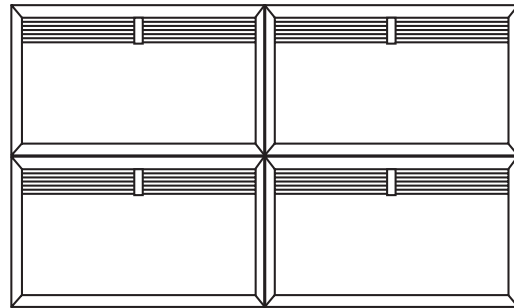
**Single Piece Construction**



**Two Piece Construction  
(Horizontal)**



**Two Piece Construction  
(Vertical)**



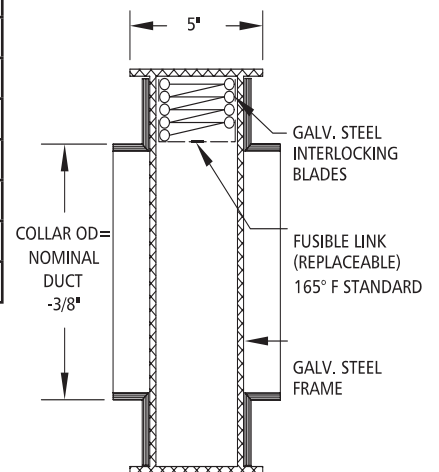
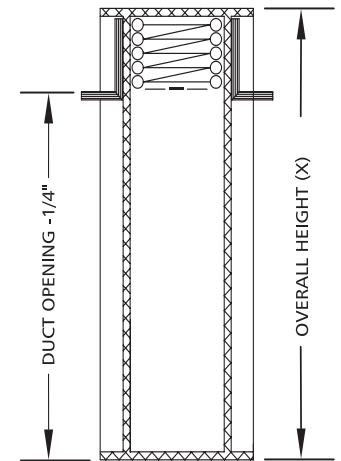
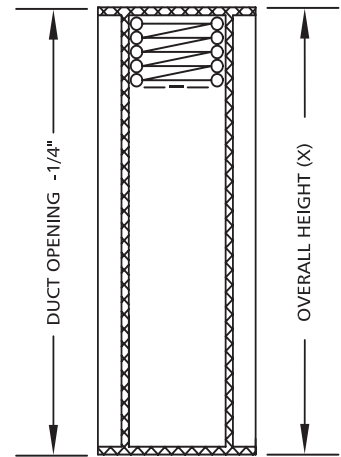
**Four Piece Construction**

## FIRE DAMPER SELECTION GUIDE

Fire Damper Sizing Table			
Duct Opening / Nominal Size	Type A, E, F Overall Height (x)	Type B Overall Height (x)	Type C Overall Height (x)
4"	3 3/4"	5 3/4"	6 3/4"
5"	4 3/4"	6 3/4"	7 3/4"
6"	5 3/4"	7 3/4"	8 3/4"
7"	6 3/4"	8 3/4"	9 3/4"
8"	7 3/4"	9 3/4"	10 3/4"
9"	8 3/4"	10 3/4"	11 3/4"
10"	9 3/4"	11 3/4"	12 3/4"
11"	10 3/4"	12 3/4"	13 3/4"
12"	11 3/4"	13 3/4"	14 3/4"
13"	12 3/4"	14 3/4"	15 3/4"
14"	13 3/4"	15 3/4"	16 3/4"
15"	14 3/4"	16 3/4"	17 3/4"
16"	15 3/4"	18 3/4"	19 3/4"
17"	16 3/4"	19 3/4"	20 3/4"
18"	17 3/4"	20 3/4"	21 3/4"
19"	18 3/4"	21 3/4"	22 3/4"
20"	19 3/4"	22 3/4"	23 3/4"
21"	20 3/4"	23 3/4"	24 3/4"
22"	21 3/4"	24 3/4"	N/A
23"	22 3/4"	N/A	N/A
24"	23 3/4"	N/A	N/A
25"	24 3/4"	N/A	N/A
26"	25 3/4"	N/A	N/A
27"	26 3/4"	N/A	N/A
28"	27 3/4"	N/A	N/A
29"	28 3/4"	N/A	N/A
30"	29 3/4"	N/A	N/A
31"	30 3/4"	N/A	N/A
32"	31 3/4"	N/A	N/A
33"	32 3/4"	N/A	N/A
34"	33 3/4"	N/A	N/A
35"	34 3/4"	N/A	N/A
36"	35 3/4"	N/A	N/A

**Notes:**

- Type A, E, and F Damper Overall Width = Duct Opening/Nominal Size minus 1/4"
- Type B Damper Overall Width = Duct Opening/Nominal Size minus 1/4"
- Type C Damper Overall Width = Duct Opening/Nominal Size plus 2"
- All fire dampers are available in 1/4" increments.





# FIRE DAMPER SELECTION GUIDE

## Fire Damper Description

Curtain-type fire dampers are designed to restrict the spread of fire through ventilation systems by shutting when the fusible link melts. Fire dampers are evaluated for use in either Static applications (for HVAC systems that are automatically shut down in the event of a fire) or Dynamic applications (for HVAC systems that continue to operate in the event of a fire).

## Dynamic Fire Damper Description

Underwriters Laboratories (UL) Standard for Safety 555 categorizes smoke and fire control systems as either static and dynamic. UL555 defines dampers intended to close under no airflow conditions as dampers for static systems, and dampers intended to close under flow conditions as dampers for dynamic systems.

For dynamically rated dampers, the label indicates airflow direction, maximum rated velocity through the open damper, and the maximum pressure differential across the closed damper.

## Ceiling Radiation Damper Description

Butterfly-style ceiling radiation dampers are installed in the air distribution portion of a fire-rated ceiling assembly. The sole purpose of which is to help maintain the fire endurance rating of the assembly. A ceiling radiation damper shuts automatically to restrict the passage of heat.

## Dynamic Fire Damper Ratings

The following figures represent the approved flow ratings for dynamically rated dampers in various mounting arrangements.

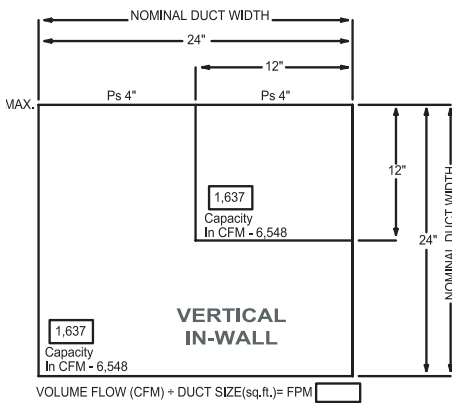


FIGURE 1

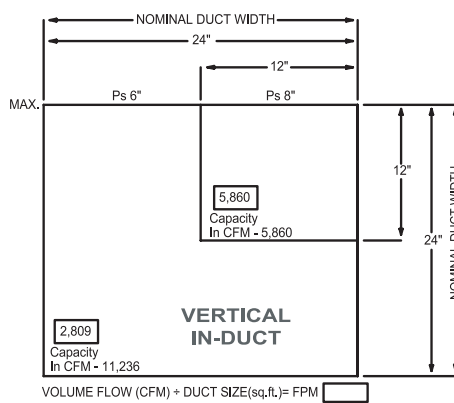


FIGURE 2

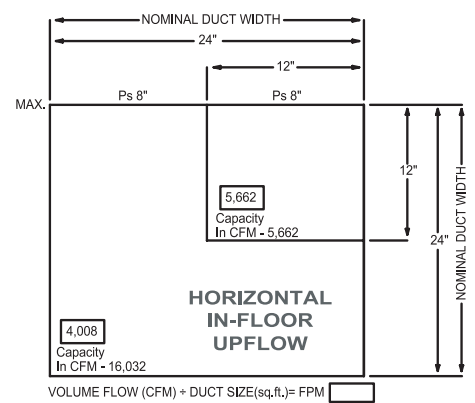


FIGURE 3

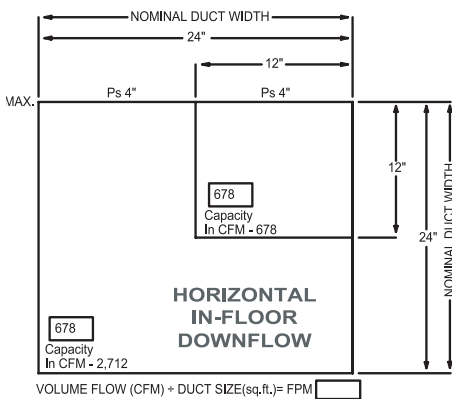


FIGURE 4

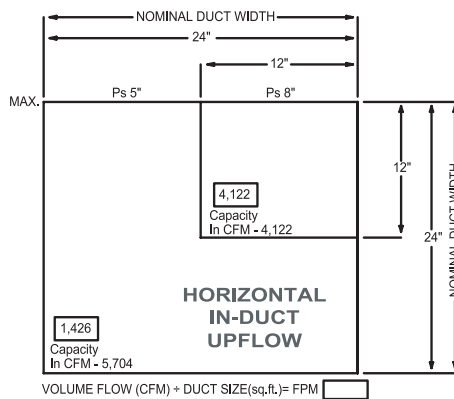


FIGURE 5

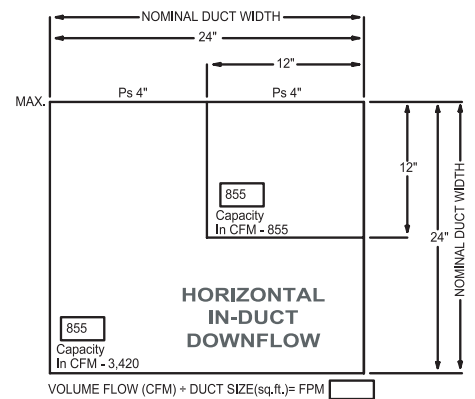


FIGURE 6



# FIRE DAMPER AND CEILING DAMPER ORDERING GUIDE

## Fire Damper Ordering Guidelines

- When ordering fire dampers, designate the appropriate model number to specify static or dynamic rating (see Model Ordering Guidelines below).
- When ordering dynamically rated fire dampers, also refer to Figures 1 through 6 on page 68. When duct sizes are larger than the sizes shown, multiple unit assemblies are required. Since each individual damper in the assembly has its own heat responsive device, it must be assumed that each damper will close at slightly different times. Because of this, Underwriters Laboratories (UL), requires that the total volume of air for the assembly must not exceed the allowable rating of the smallest unit in the assembly.

**Example:** A model 151A 24" x 24" is ordered to be installed in a Vertical In-Duct position (see Figure 2, page 68). This unit shall be assembled in (1) 24" x 24" section, which according to the table, is rated for an air volume of 11,236 CFM with an air velocity of 2,809 FPM and a static pressure (Ps) of 6" w.g. Therefore, the 24" x 24" unit will have a maximum air volume of no more than 11,236 CFM with an air velocity of 2,809 FPM and a static air pressure (Ps) of 6" w.g.

- For CFM of a Round Collar unit (Type C), multiply the CFM in the appropriate figure by .785.

## Model Ordering Guide

Square and Rectangle Fire Damper Ordering Guide					
Model 15X	Type X	Width (Inches)	Height (Inches)	Collar Size (C Only)	Fusible Link Rating (°F)
Static --- 0	Blades In Airstream --- A	XX Specify	XX Specify	XX Specify	L1 - 165° L2 - 212°
Dynamic ---- 1	Blades out of Airstream --- B				
	High Pressure --- C				
	Slimline (1-1/2 Hours) --- E				
	Slimline (3 hours) --- F	Note: For Model 150E, please specify mounting position V (vertical) or H (horizontal).			

Round Fire Damper Ordering Guide	
Model	Diameter (inches)
US3 ---Round	XX Specify

Ceiling Radiation Damper Ordering Guide			
Model 61X	Width (Inches)	Height (Inches)	Fusible Link Rating (°F)
Square/Rectangle --- 5	XX	XX	165°
Round --- 6	Specify	Specify	212°

## Required Information For Ordering

- Please specify dimensions of damper: Width (in.) x Height (in.).  
Note: For round dampers, specify diameter. Dampers are manufactured 1/4" undersized, unless actual size is requested.

- Please select model number:
  - 151A - Dynamic Fire Damper, blades in the airstream. (1-1/2 hour fire-rated)
  - 151B - Dynamic Fire Damper, blades out of the airstream. (1-1/2 hour fire-rated)
  - 151C - Dynamic Fire Damper with round transitions. (1-1/2 hour fire-rated)
  - 150E - Static Slimline Fire Damper, blades in the airstream. (Vertical/Horizontal, 1-1/2 hour fire-rated)
  - 150F - Static Slimline Fire Damper, blades in the airstream. (Vertical 3 hour fire-rated)
  - 615 - Ceiling Radiation Damper, UL555 classification, square and rectangle.
  - 616 - Ceiling Radiation Damper, UL555 classification, round.

- Please specify temperature of the fusible link:
  - 165°F - Standard.
  - 212°F - Optional.

- Are factory-installed leaves required? Y/N, if yes, please specify length of the sleeve.  
Note: Available lengths - 8", 10", 12", 14", 16", 18", 20", 24".  
Standard sleeve is 12" in length and 22 gauge. As a default, fire dampers are installed centered in the sleeve. Off-center installation is available upon request.

- Are pre-cut mounting angles required? Y/N  
Note: Set includes 4 individual angles per side, 8 in total.

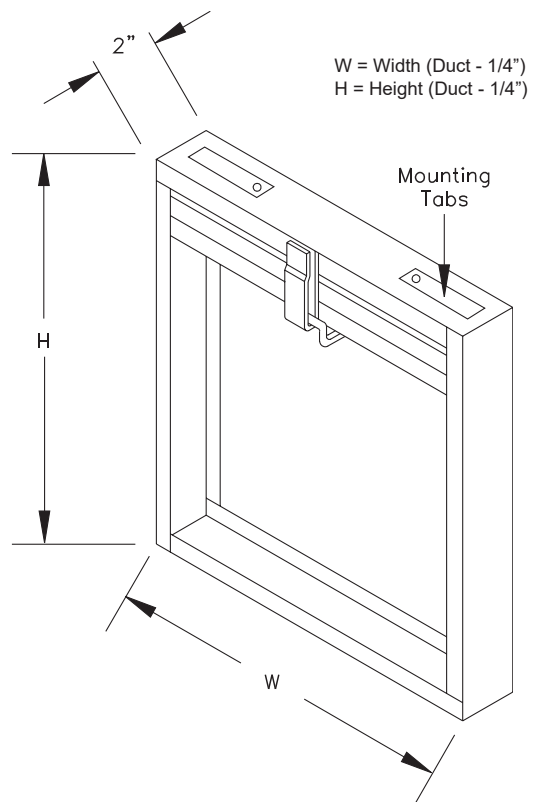
Replacement Fusible Links	
Part No.	Applications
FL-165-JS	165°F - For use in models 150E/150F
FL-165-GS	165°F - For use in models 151A/B/C
FL-165-J14	165°F - For use in models 616, Diameter 4"-7" 165°F - For use in models 615, Height: 4"-7"
FL-165-J316	165°F - For use in models 616, Diameter: 8"+ 165°F - For use in models 615, Height: 8"+

Note: Also available in 212° F.





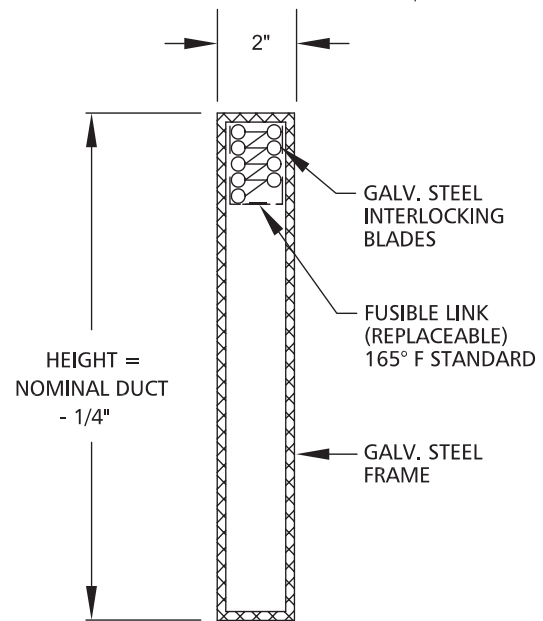
**MODEL 150E - SLIMLINE**  
 Curtain Type Fire Damper - UL555 Classification  
 Horizontal and Vertical, 1.5 Hour Rating



**Product Information**

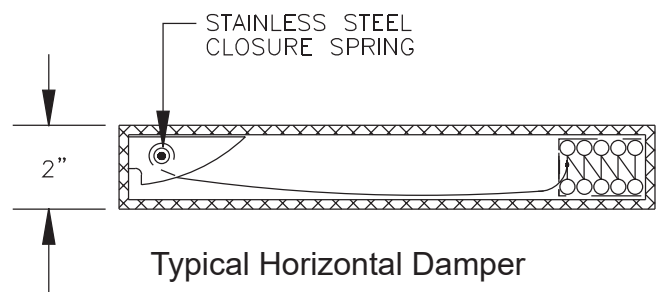
- Slimline frame profile where narrow clearances are required.
- Meets all UL and NFPA requirements for **Primary Fire Dampers** and carries a UL555 classified fire damper label.
- **Approved for use where ducts penetrate partitions with fire resistance ratings of two hours or less.**
- Gravity operated for vertical installation.
- Closure springs and latches included for horizontal installation.
- 1.5 hour rating for use in fire barriers rated two hours or less.
- Integral mounting tabs for quick installation.
- Optional installed duct sleeves available, see page 85.

UL File No. 10250



Typical Vertical Damper

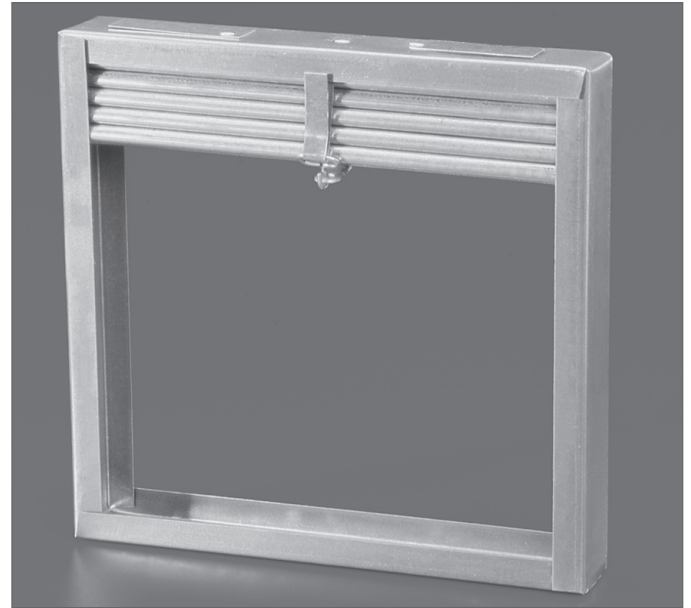
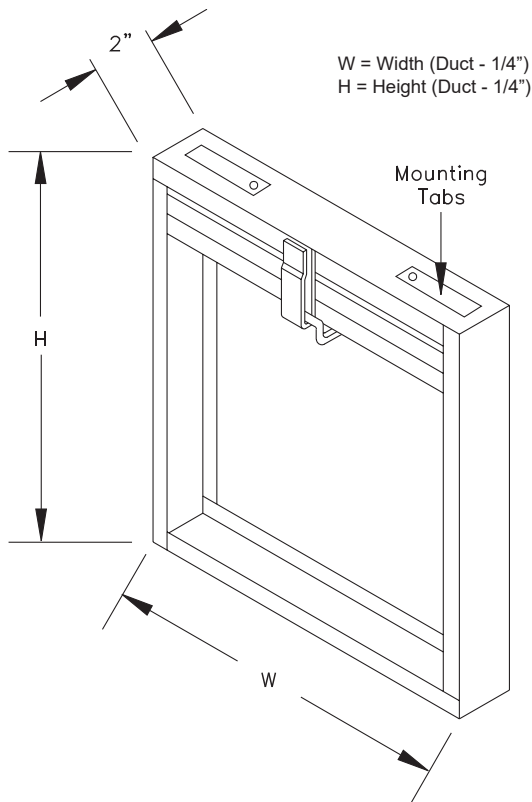
Minimum Available Sizes (W" x H")	
Horizontal (150E)	Vertical (150E)
6" x 6"	6" x 6"



Typical Horizontal Damper

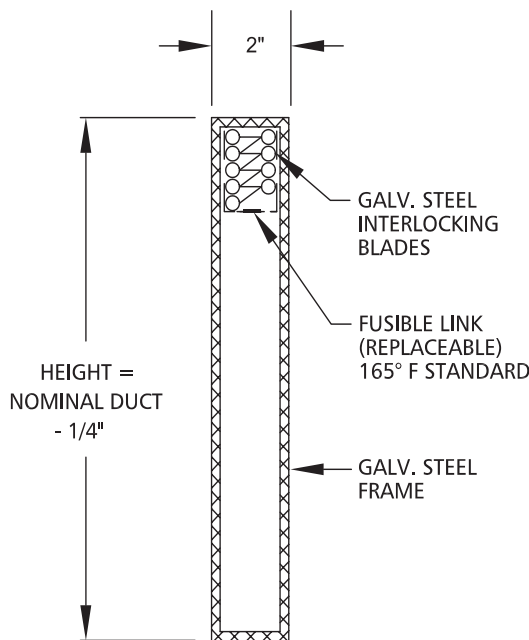


**MODEL 150F - SLIMLINE**  
**Curtain Type Fire Damper - UL555 Classification**  
**Vertical, 3 Hour Rating**



**Product Information**

- Slimline frame profile where narrow clearances are required.
- Meets all UL and NFPA requirements for **Primary Fire Dampers** and carries a UL555 classified fire damper label.
- **Approved for use where ducts penetrate partitions with fire resistance ratings of two hours or less.**
- Gravity operated for vertical installation.
- 3 hour rating or use in fire barriers rated four hours or less.
- Integral mounting tabs for quick installation.
- Optional installed duct sleeves available, see page 85.



Typical Vertical Damper

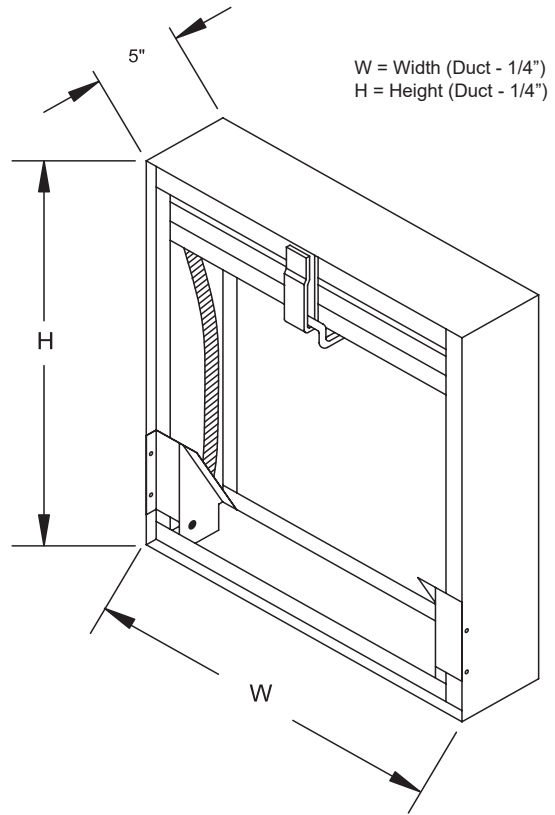
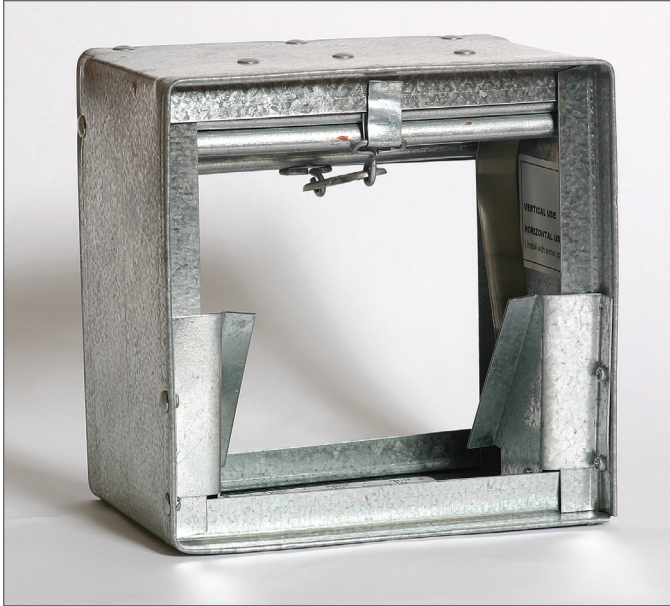
UL File No. 10250



Minimum Available Sizes (W" x H")
Vertical (150F)
6" x 6"



**MODEL 151A**  
 Curtain Type Fire Damper - UL555 Classification  
 Horizontal and Vertical, 1.5 Hour Rating



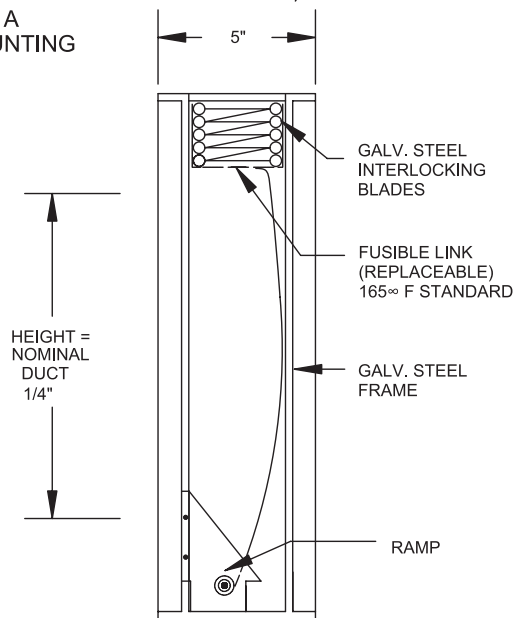
**Product Information**

- Designed with constant force springs in the horizontal configurations to ensure closure under airflow conditions.
- Meets all UL and NFPA requirements for **Primary Fire Dampers**, and carries a UL555 classified fire damper label.
- **Approved for use where ducts penetrate partitions with fire resistance ratings of two hours or less.**
- 1.5 hour rating for use in fire barriers rated two hours or less.
- Optional installed duct sleeves available, see page 85.

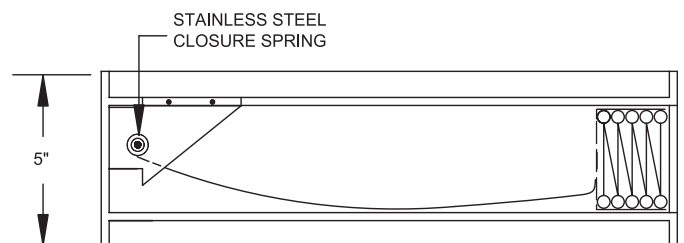
UL File No. 10250



MODEL 151A  
 VERTICAL MOUNTING



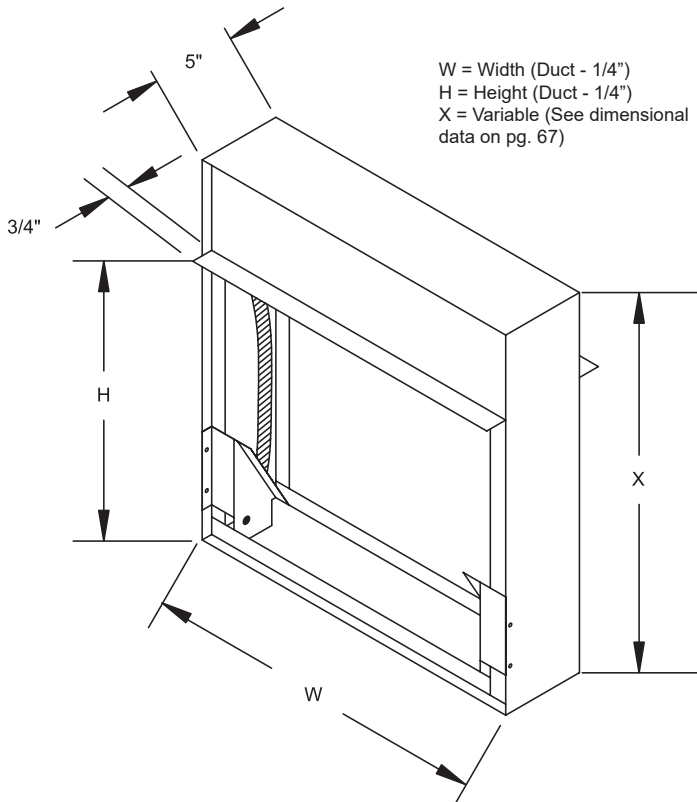
MODEL 151A  
 HORIZONTAL MOUNTING



Minimum Available Sizes (W" x H")	
Horizontal (151A)	Vertical (151A)
6" x 6"	6" x 6"

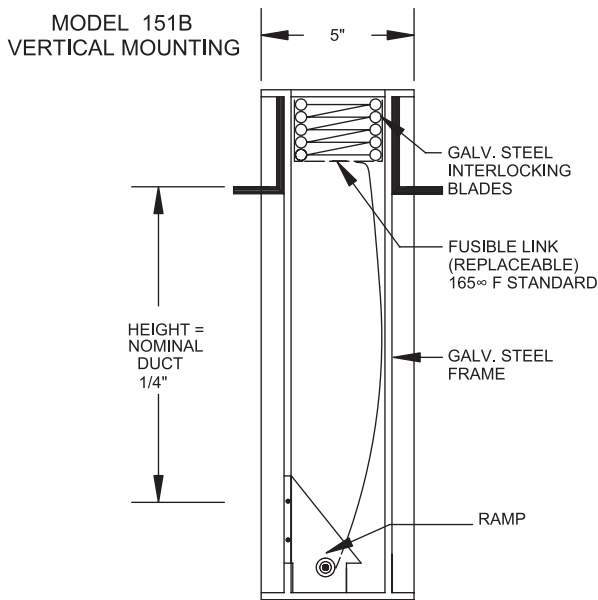


## MODEL 151B Curtain Type Fire Damper - UL555 Classification Horizontal and Vertical, 1.5 Hour Rating



### Product Information

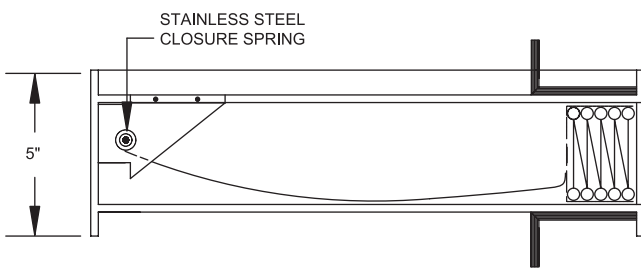
- Designed with constant force springs in the horizontal configurations to ensure closure under airflow conditions.
- Meets all UL and NFPA requirements for **Primary Fire Dampers**, and carries a UL555 classified fire damper label.
- **Approved for use where ducts penetrate partitions with fire resistance ratings of two hours or less.**
- 1.5 hour rating for use in fire barriers rated two hours or less.
- Optional installed duct sleeves available, see page 85.



UL File No. 10250



MODEL 151B  
HORIZONTAL MOUNTING



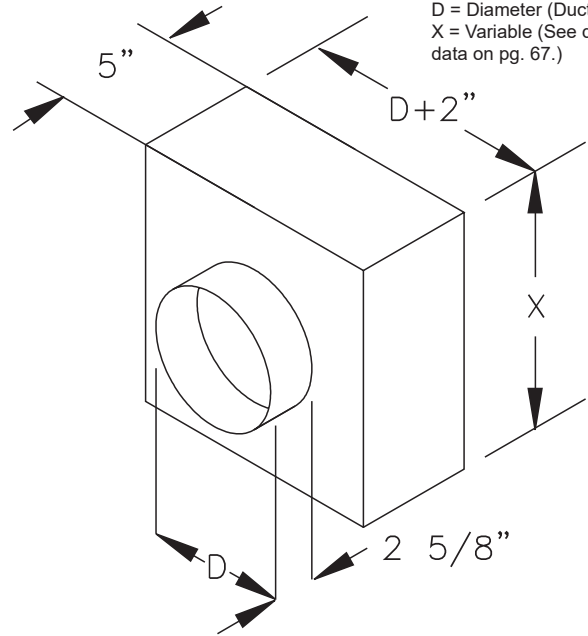
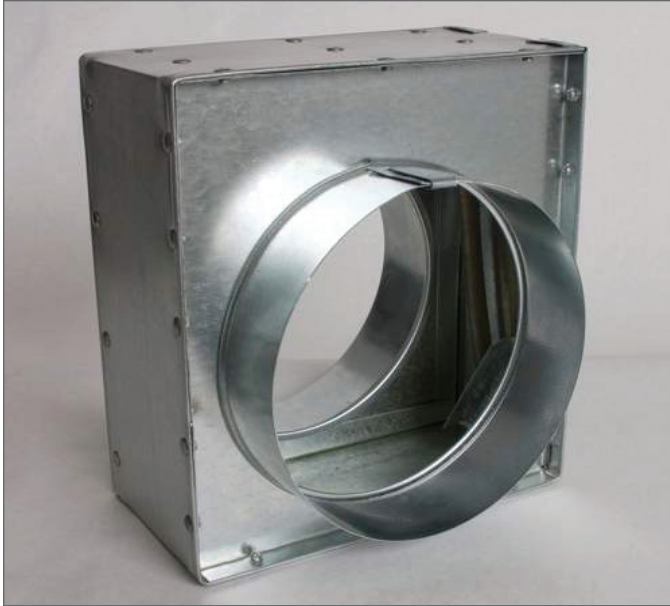
### Minimum Available Sizes (W" x H")

Horizontal (151B)	Vertical (151B)
6" x 6"	6" x 6"



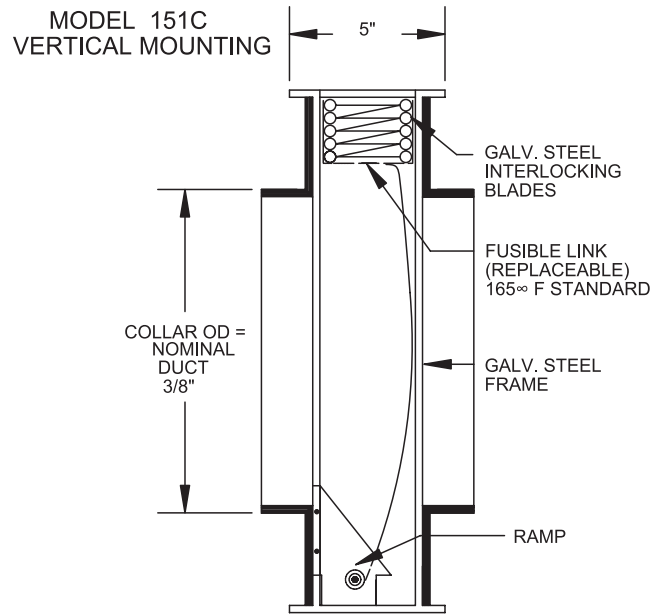
**MODEL 151C - High Pressure Series  
Curtain Type Fire Damper - UL555 Classification  
Horizontal and Vertical, 1.5 Hour Rating**

W = Width (Duct - 1/4")  
H = Height (Duct - 1/4")  
D = Diameter (Duct - 1/4")  
X = Variable (See dimensional data on pg. 67.)



**Product Information**

- Designed with constant force springs in the horizontal configurations to ensure closure under airflow conditions.
- Meets all UL and NFPA requirements for **Primary Fire Dampers**, and carries a UL555 classified fire damper label.
- **Approved for use where ducts penetrate partitions with fire resistance ratings of two hours or less.**
- 1.5 hour rating for use in fire barriers rated two hours or less.
- Transition collars in round configurations for simple duct attachment.
- Units also available with collar on one side only.
- Optional installed duct sleeves available, see page 85.

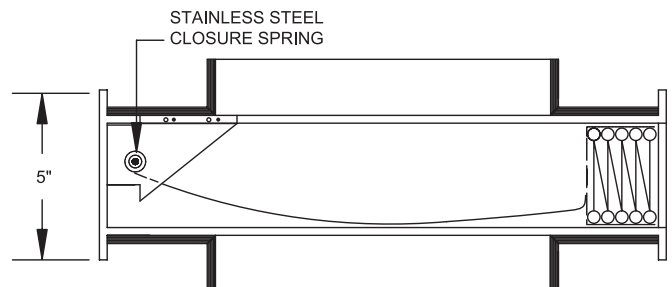


UL File No. 10250

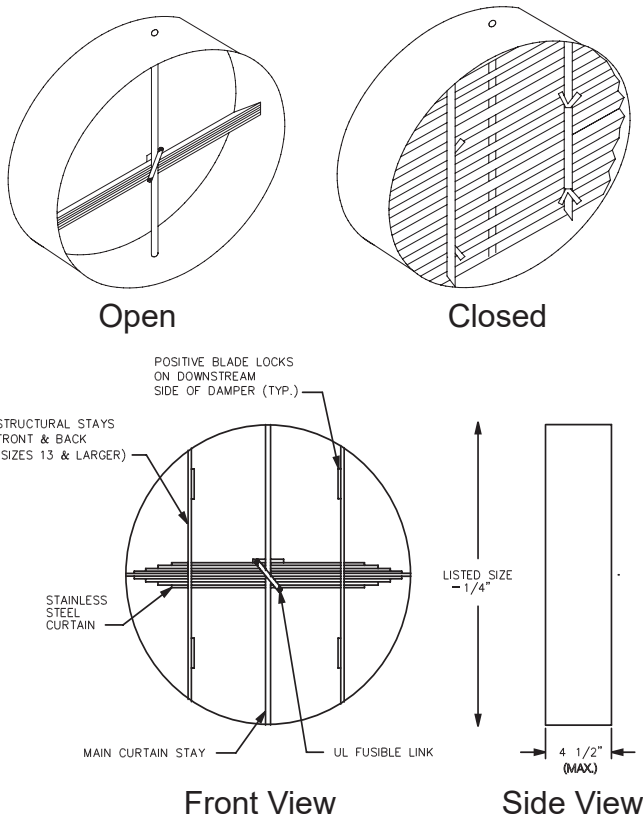


Minimum Available Sizes (W" x H")	
Horizontal (151C)	Vertical (151C)
4" (diameter)	4" (diameter)

**MODEL 151C  
HORIZONTAL MOUNTING**



## MODEL US-3 Curtain Type Fire Damper - UL555 Classification Horizontal and Vertical, 1.5 Hour Rating



### Product Information

- Designed with constant force stainless steel curtain in both vertical and horizontal configurations to ensure closure under airflow conditions. Can also be used in static system applications.
- Meets all UL and NFPA requirements for **Primary Fire Dampers**, and carries a UL555 classified fire damper label.
- **Approved for use where ducts penetrate partitions with fire resistance ratings of two hours or less.**
- 1.5 hour rating for use in fire barriers rated two hours or less.

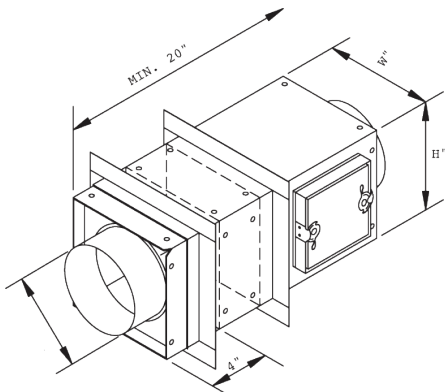


Available Sizes (Diameter Inches)	
Minimum	Maximum
4"	12"

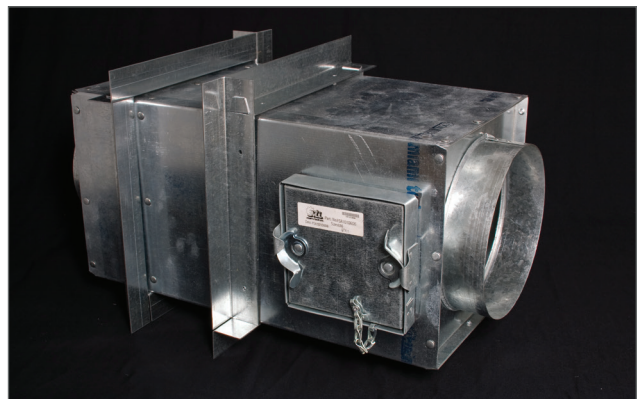
Size Availability: 4" to 12" diameter in one inch increments.

### Product Information

- Dynamic fire rated damper (Model 151A or 151B).
- Minimum sleeve length 20".
- Square cam-lock access door included.
- Standard 4" offset from the edge of the sleeve to the fire damper frame.
- Picture frame mounting angles included.



### BIRDCAGE FIRE DAMPER ASSEMBLY



### Available Sizes

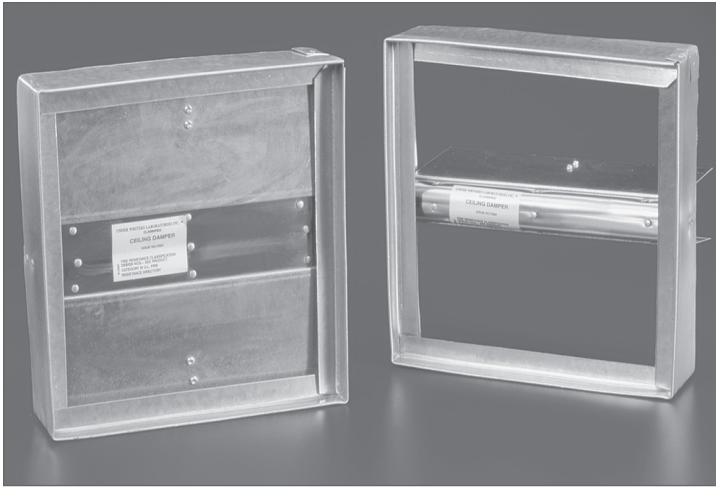
Visit [miamitech.com](http://miamitech.com) for a full list of available sizes.



# MODEL 615

## Ceiling Radiation Damper - UL555 Classification

### Square and Rectangular



#### Product Construction

- **Frame:** Minimum 22 gauge galvanized steel.
- **Blades:** Minimum 22 gauge galvanized steel.
- **Springs:** Tempered stainless steel.
- **Fusible Link:** UL Listed 165° Standard or 212° Optional.
- **Thermal Barrier:** Non-asbestos ceramic blanket.

#### Product Information

- UL fire-rated floor/ceiling assemblies and roof/ceiling assemblies require specially tested and classified ceiling dampers (also called Ceiling Fire Dampers or Heat Radiation Dampers) to provide proper protection where HVAC components penetrate the ceiling membrane. Standard primary fire dampers (1.5 hour and 3 hour) **do not** provide the necessary fire and heat protection.
- UL classified Model 615 ceiling damper may be substituted for each 113 square inch or larger steel duct outlet protected with a hinged sheet metal damper in any floor or roof/ceiling design with a restrained or unrestrained assembly rating of 3 hours or less.
- Thermal barrier supplied on units larger than 70 square inches. Smaller sizes do not require thermal barrier on blades.

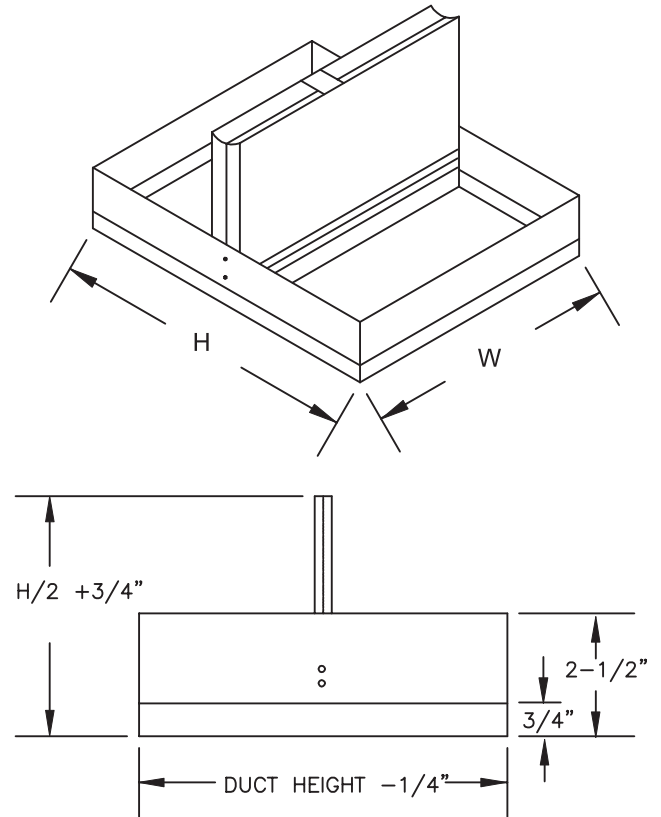


UL File No. 10967

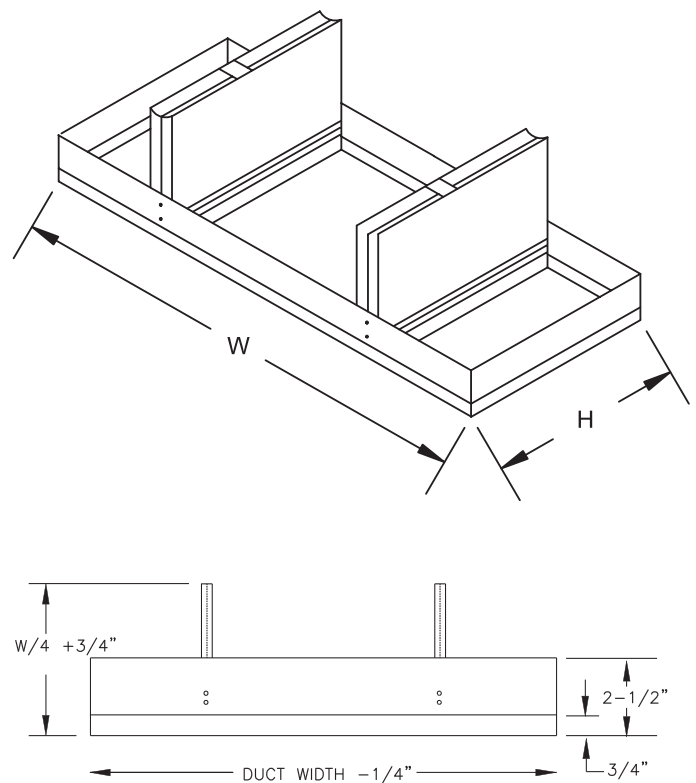
Available Sizes (W" x H")			
Single Butterfly		Double Butterfly	
Minimum	Maximum	Minimum	Maximum
6" x 4"	18" x 18"	20" x 20"	24" x 24"

All fire dampers are available in 1/4" increments.

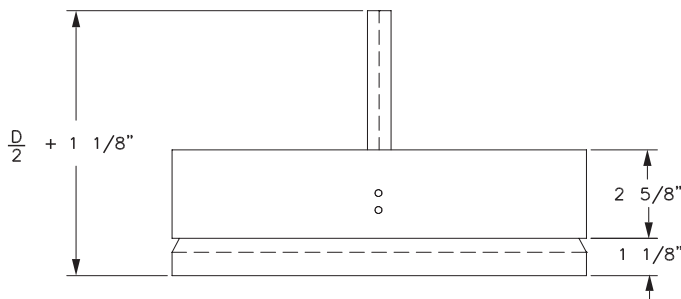
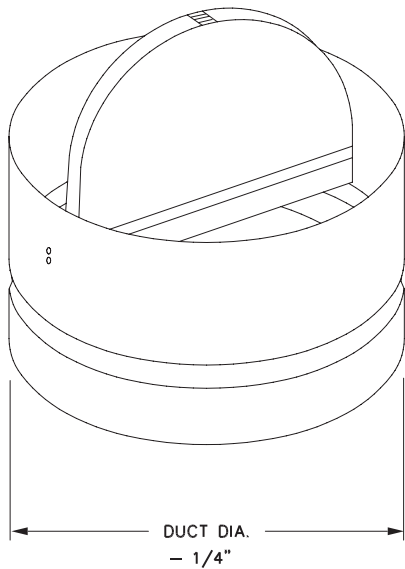
#### Single Butterfly



#### Double Butterfly

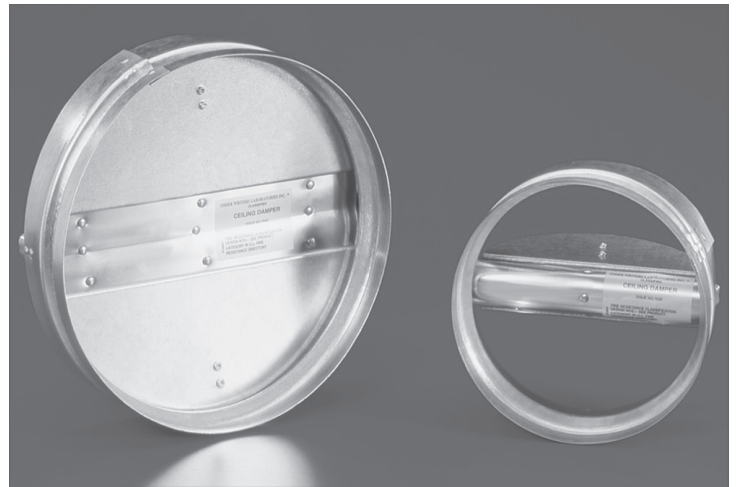


## MODEL 616 Ceiling Radiation Damper - UL555 Classification Round



UL File No. 10967

Available Sizes (Diameter Inches)	
Minimum	Maximum
4"	24"



### Product Construction

- **Frame:** Minimum 22 gauge galvanized steel.
- **Blades:** Minimum 22 gauge galvanized steel.
- **Springs:** Tempered stainless steel.
- **Fusible Link:** UL Listed 165° Standard or 212° Optional.
- **Thermal Barrier:** Non-asbestos ceramic blanket.

### Product Information

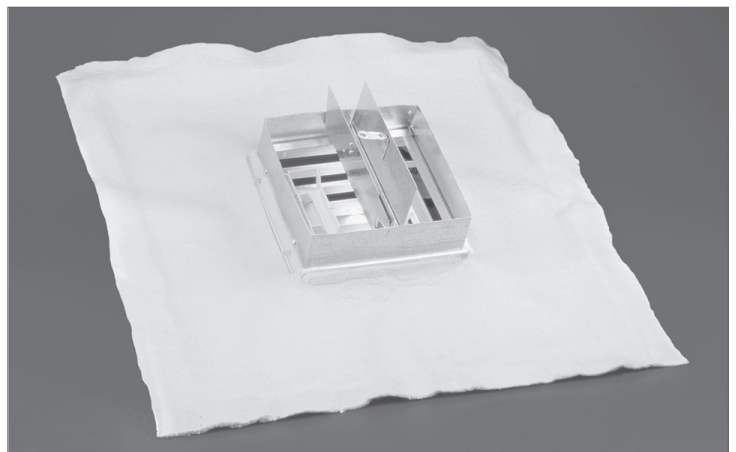
- UL fire-rated floor/ceiling assemblies and roof/ceiling assemblies require specially tested and classified ceiling dampers (also called Ceiling Fire Dampers or Heat Radiation Dampers) to provide proper protection where HVAC components penetrate the ceiling membrane. Standard primary fire dampers (1.5 hour and 3 hour) **do not** provide the necessary fire and heat protection.
- UL classified Model 616 ceiling damper may be substituted for each 113 square inch or larger steel duct outlet protected with a hinged sheet metal damper in any floor or roof/ceiling design with a restrained or unrestrained assembly rating of 3 hours or less.
- Thermal barrier supplied on units larger than 70 square inches. Smaller sizes do not require thermal barrier on blades.

## MODEL FCB Fire Ceramic Blanket

### Product Information

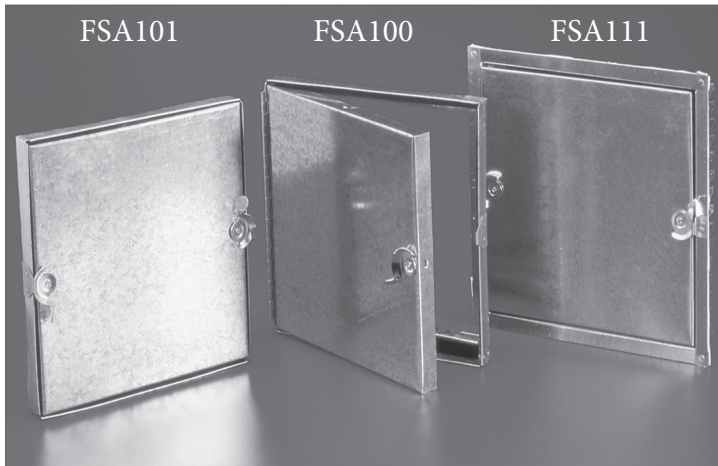
Lay-in diffusers or grilles supporting ceiling dampers must include a thermal blanket for adequate protection. The Miami Tech thermal blanket is constructed of the following:

- 1/4" thick KAOWOOL® ceramic fiber.
- 8lbs./ft<sup>3</sup> density
- Designed with field cut center for any diffuser or grille neck size.
- Also available in 1/2".





## MODEL FSA100 and FSA101 Access Door for Metal Duct



### Product Construction

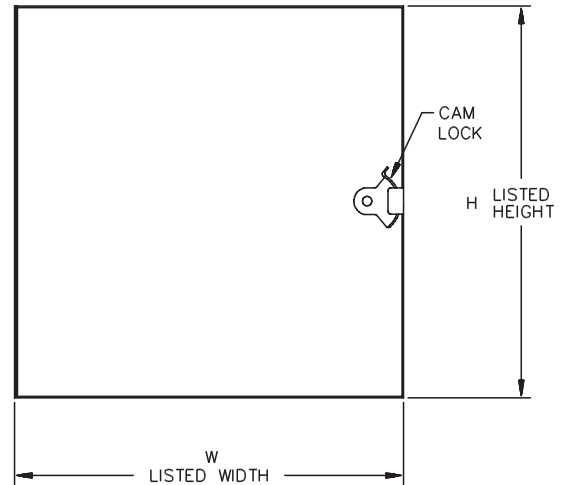
- **Frame:** 24 gauge galvanized steel roll formed with pre-notched “knock over” edges for easy installation.
- **Door:** 24 gauge edge riveted galvanized steel front and back face containing 1” UL classified insulation.
- **Hinge:** Pivot type hinge top and bottom for rigidity.
- **Closure:** All cam locks are zinc plated steel.
- **Opening:** Duct cutout is 1” less than listed size.

### Product Information

- Miami Tech Model FSA100 and FSA101 access doors are designed for quick installation in metal duct. They provide direct access to fire dampers for resetting, as well as any item requiring maintenance or inspection.
- All FSA 101 access doors are built with safety chain to secure door frame.

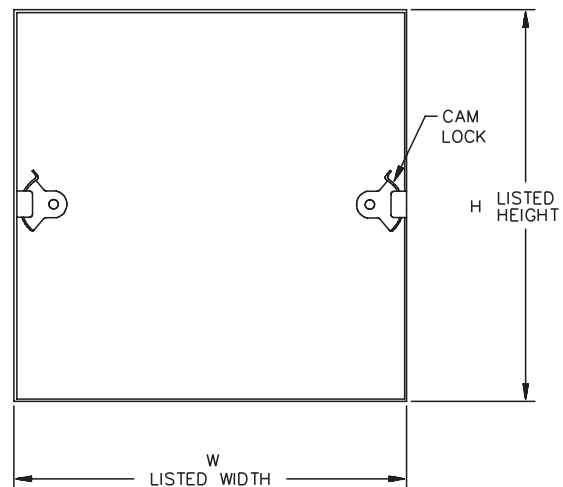
Available Sizes (H” x W”)	
Minimum	Maximum
6” x 6”	24” x 24”
Size	Box Quantity
6” x 6”	10
8” x 8”	10
10” x 10”	10
12” x 12”	10
14” x 14”	5
16” x 16”	5
18” x 18”	5
20” x 20”	5
22” x 22”	5
24” x 24”	5

### Model FSA100 Hinged Access Door for Metal Duct

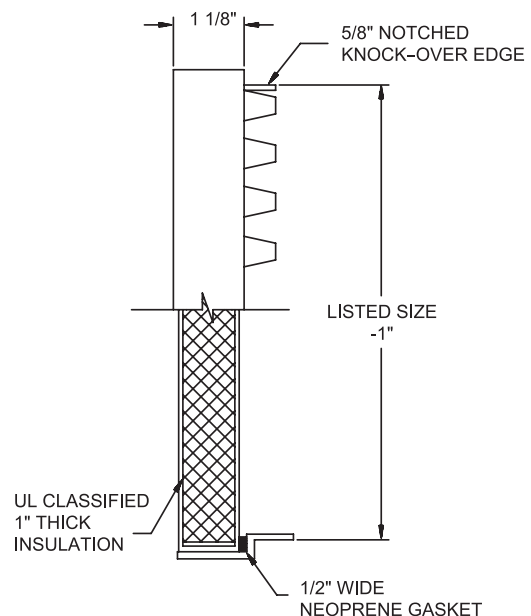


Hinged doors larger than 14” x 14” have a minimum of two cam locks.

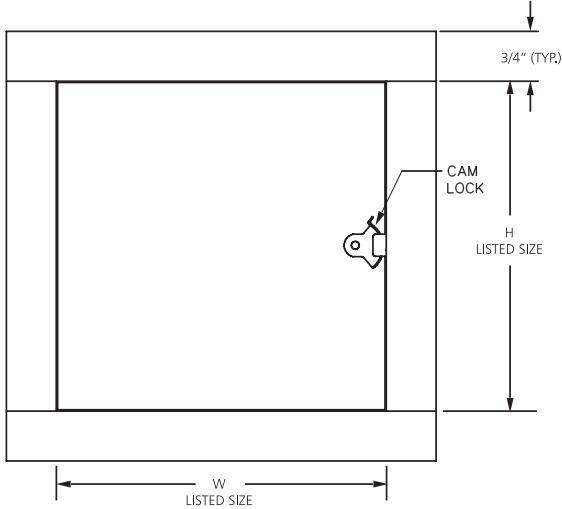
### Model FSA101 All Cam Lock Access Door for Metal Duct



Cam lock doors larger than 14” x 14” have a minimum of two cam locks.

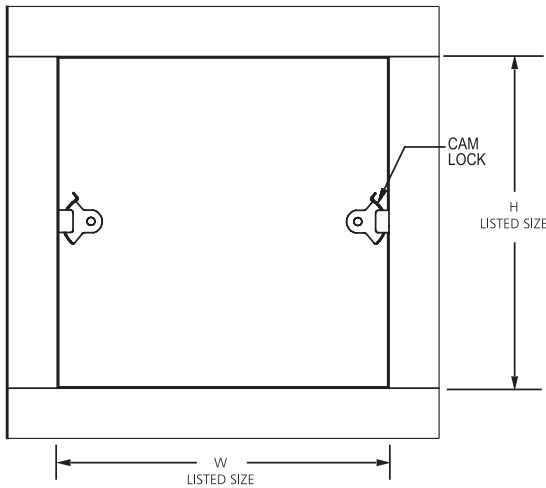


Model FSA110 Hinged Access Door for Fiberglass Duct

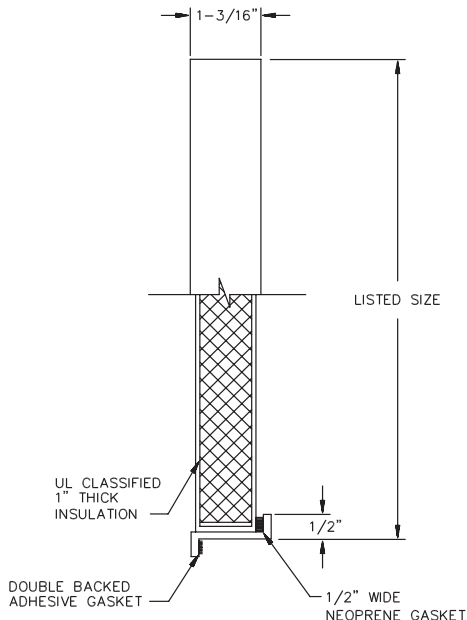


Hinged doors larger than 14" x 14" have a minimum of two cam locks.

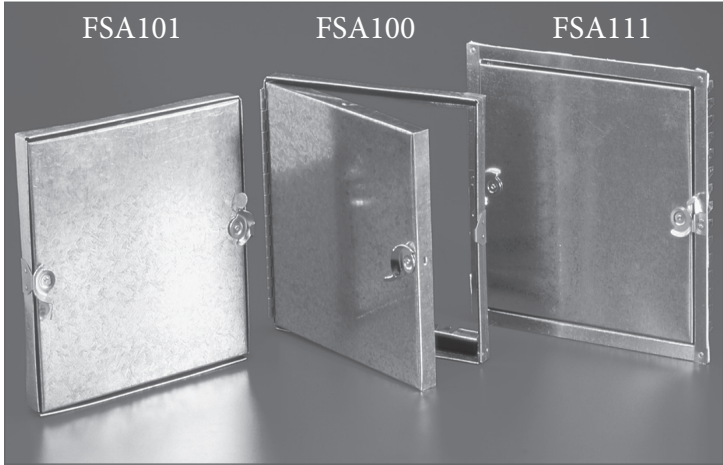
Model FSA111 All Cam Lock Access Door for Fiberglass Duct



Cam lock doors larger than 14" x 14" have a minimum of two cam locks.



MODEL FSA110 and FSA111 Access Doors for Fiberglass Duct



Product Construction

- **Frame:** 24 gauge galvanized steel roll formed with 1/6" x 1" double backed adhesive on inside of flange.
- **Door:** 24 gauge edge riveted galvanized steel front and back face containing 1" UL classified insulation.
- **Hinge:** Pivot type hinge top and bottom for rigidity.
- **Closure:** All cam locks are zinc plated steel.
- **Opening:** Duct cutout is 1" less than listed size.

Product Information

- Miami Tech Model FSA110 and FSA111 access doors are designed for quick installation in fiberglass duct. They provide direct access to fire dampers for resetting, as well as any item requiring maintenance or inspection.
- All FSA 111 access doors are built with safety chain to secure door frame.

Available Sizes (H" x W")	
Minimum	Maximum
6" x 6"	24" x 24"
Size	Box Quantity
6" x 6"	10
8" x 8"	10
10" x 10"	10
12" x 12"	10
14" x 14"	5
16" x 16"	5
18" x 18"	5
20" x 20"	5
22" x 22"	5
24" x 24"	5





## MODEL FSA115 and FSA116 Access Door for Metal or Fiberglass Duct



### Product Construction

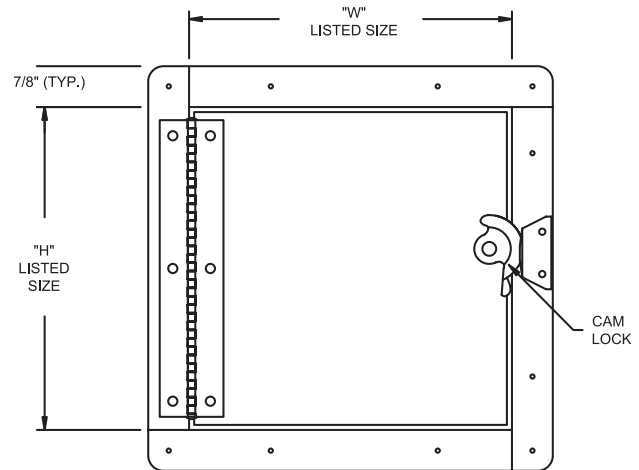
- **Door Frame:** 24 gauge galvanized steel roll formed.
- **Door:** 24 gauge edge riveted galvanized steel front and back face containing 1" UL classified insulation.
- **Hinge:** Pivot type hinge top and bottom for rigidity.
- **Closure:** All cam locks are zinc plated steel.
- **Opening:** Duct cutout is 1" less than listed size.
- **Sleeve Frame:** 24 gauge galvanized steel roll formed with pre-notched "knock over edges for easy installation.

### Product Information

- Miami Tech Model FSA115 and FSA116 access doors are designed for quick installation in metal duct. They provide direct access to fire dampers for resetting, as well as any item requiring maintenance or inspection.
- All FSA 116 access doors are built with safety chain to secure door frame.
- Custom sizes available.

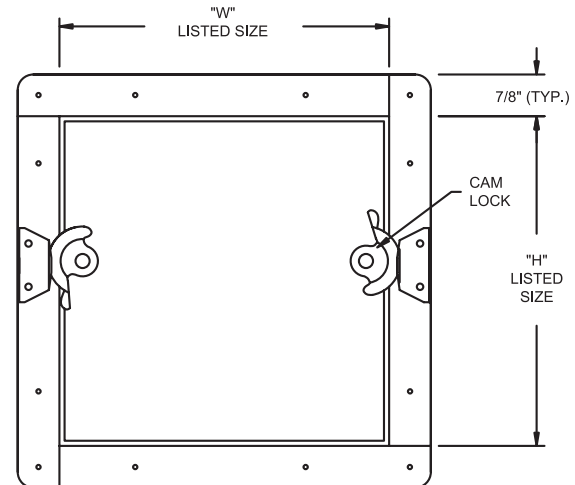
Available Sizes (H" x W")	
Minimum	Maximum
6" x 6"	24" x 24"
Size	Box Quantity
6" x 6"	10
8" x 8"	10
10" x 10"	10
12" x 12"	10
14" x 14"	5
16" x 16"	5
18" x 18"	5
20" x 20"	5
22" x 22"	5
24" x 24"	5

## Model FSA115 All Hinged Access Door for Metal or Fiberglass Duct

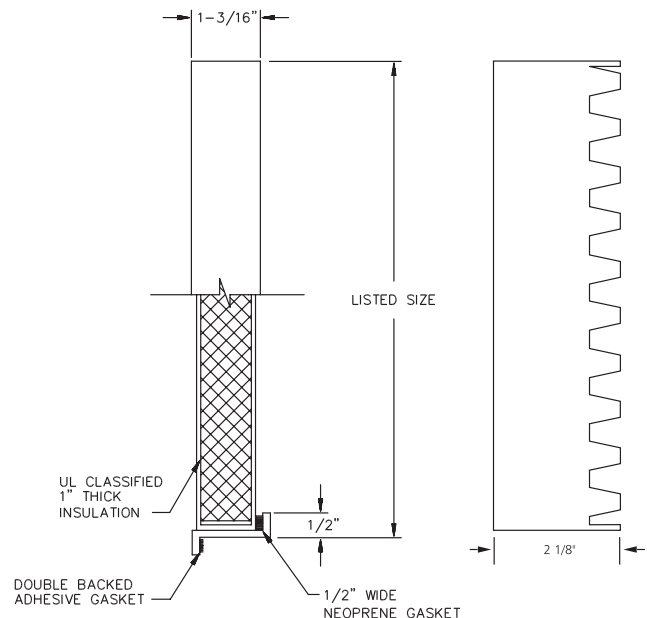


Hinged doors larger than 14" x 14" have a minimum of two cam locks.

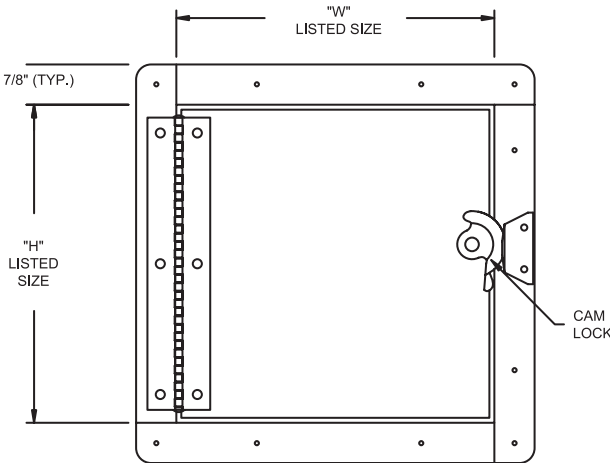
## Model FSA116 All Cam Lock Access Door for Metal or Fiberglass Duct



Cam lock doors larger than 14" x 14" have a minimum of two cam locks.

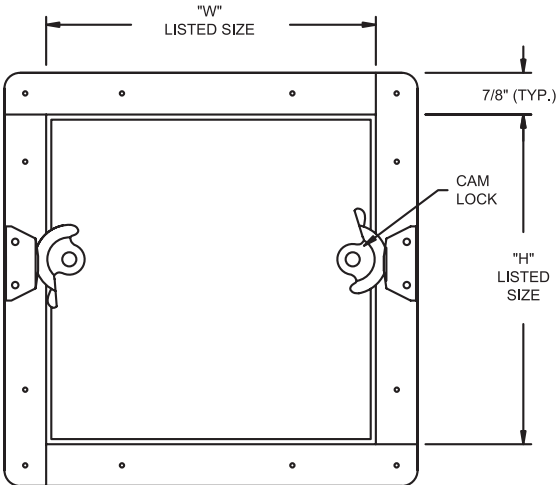


**Model FSA125SM Hinged Access Door  
for Metal or Fiberglass Duct**



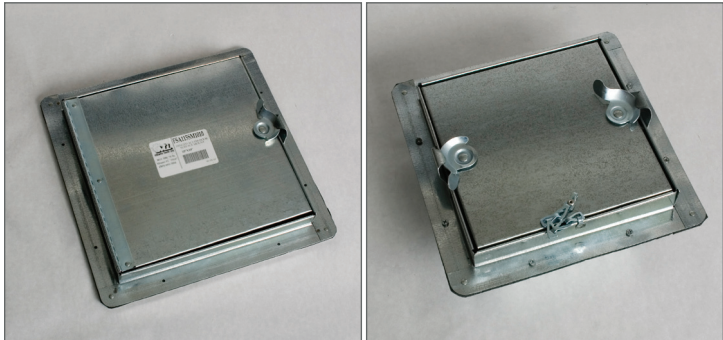
Hinged doors larger than 14" x 14" have a minimum of two cam locks.

**Model FSA126SM All Cam Lock Access Door  
for Metal or Fiberglass Duct**



Cam lock doors larger than 14" x 14" have a minimum of two cam locks.

**MODEL FSA125SM and FSA126SM  
Access Doors for Metal or Fiberglass Duct  
(Surface Mount)**



**Product Construction**

- **Frame:** 24 gauge galvanized steel roll formed with 1/6" x 1" double backed adhesive on inside of flange.
- **Door:** 24 gauge edge riveted galvanized steel front and back face containing 1" UL classified insulation.
- **Hinge:** Pivot type hinge top and bottom for rigidity.
- **Closure:** All cam locks are zinc plated steel.
- **Opening:** Duct cutout is 1" less than listed size.

**Product Information**

- Miami Tech Model FSA125 and FSA126 access doors are designed for quick installation in fiberglass duct. They provide direct access to fire dampers for resetting, as well as any item requiring maintenance or inspection.
- All FSA 126 access doors are built with safety chain to secure door frame.

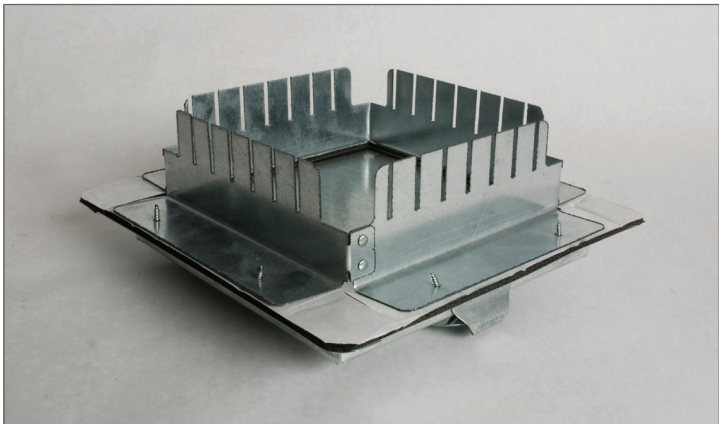
Available Sizes (H" x W")	
Minimum	Maximum
6" x 6"	24" x 24"

**Product Information**

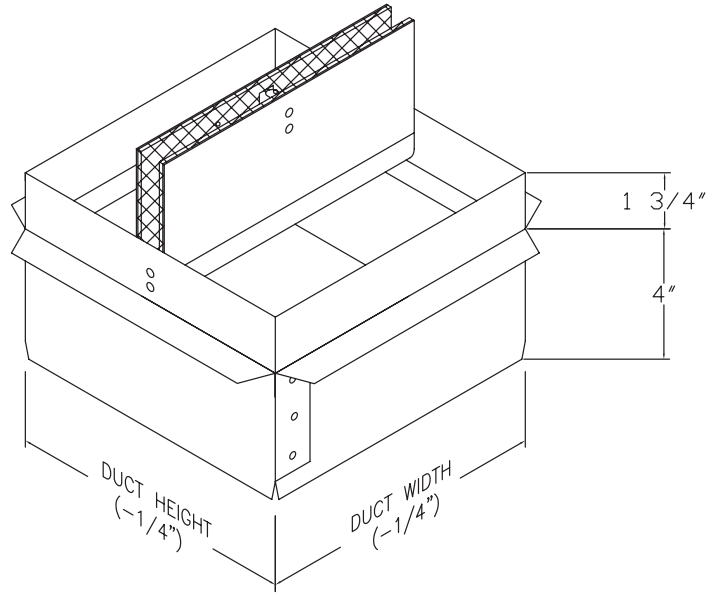
- 24 gauge galvanized steel roll formed with pre-notched "knock-over" edges for easy installation.
- Optional accessory kit for fiberglass duct installation.
- Sold separately.

Available Sizes (H" x W")	
Minimum	Maximum
6" x 6"	24" x 24"

**MODEL FSASMF  
Surface Mount Crown Frame**



## MODEL CRPD Ceiling Radiation Plenum Damper Box



### Product Construction

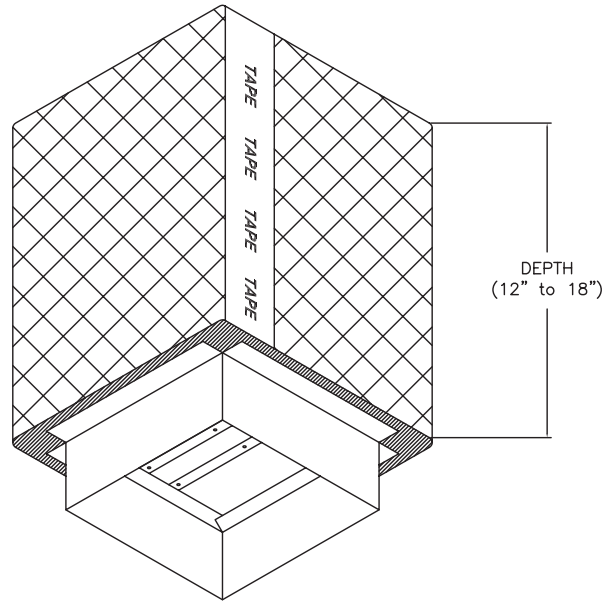
- **Body:** 22 gauge galvanized steel construction.
- **Fusible Link:** UL-listed fusible (165°F Standard)

### Product Information

- UL classified.
- Designed to function as a heat barrier in air handler openings in fire resistant membrane ceilings.
- UL approved for use in design types: L-528, L-546, L-558, L-562, L-563, L-585, M-516, P-533, P-544, and P-547 (similar design applications\*: L-521, L-550, L-586, and P-522).
- Available with R-6 or R-8 ductboard plenum installed with depths 12" through 18".
- 1" perimeter flange provided for boot clip or angle installation.
- Insulation available in R-6 or R-8.
- Special sizes available upon request.



UL File No. 10967



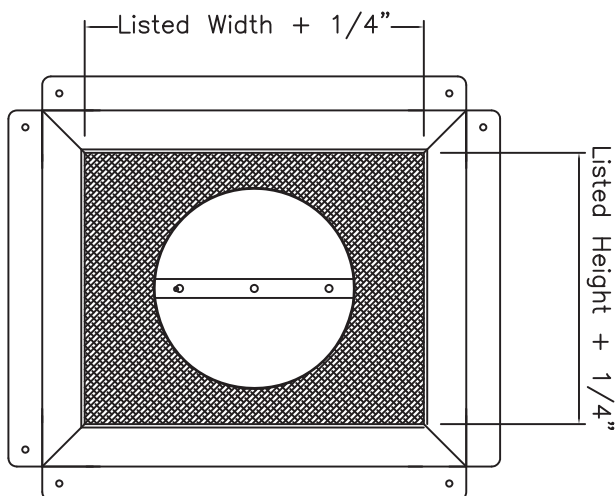
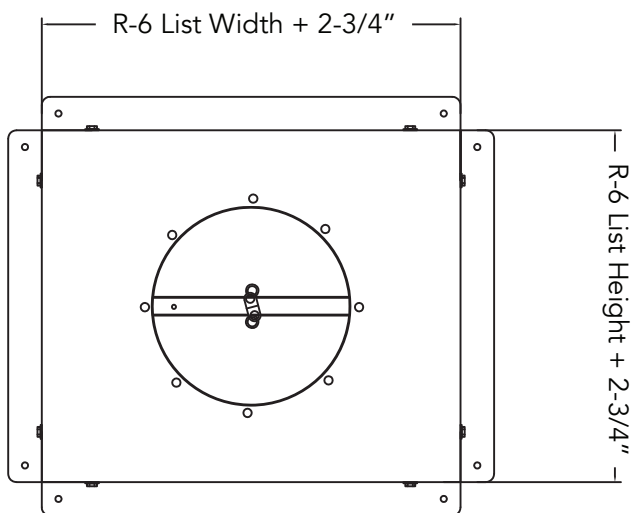
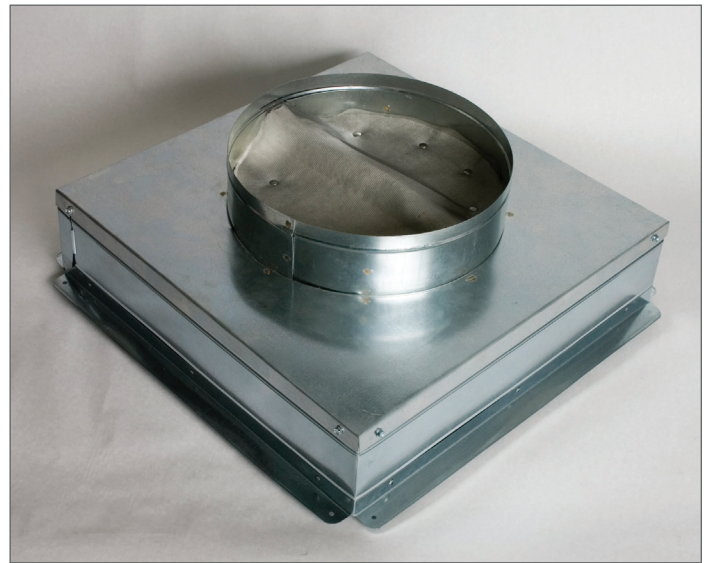
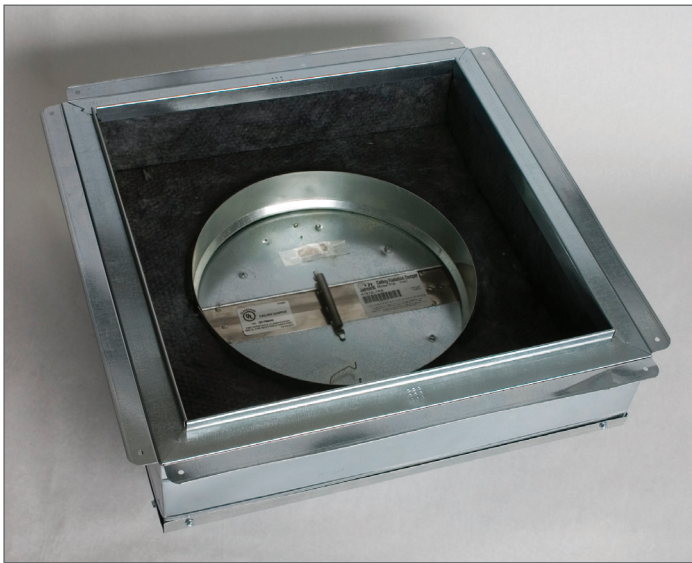
\*Optional ductboard plenum shown (PB)

Available Sizes (W" x H")	
Minimum	Maximum
6" x 6"	16" x 16"

\*Similar design applications have not been evaluated and are not UL Classified for use with the associated Miami Tech products.



## MODEL CRD Ceiling Radiation Damper Box



### Ceiling Radiation Damper Construction

- **Body:** Roll-formed round 22 gauge galvanized steel frame.
- **Blades:** 22 gauge galvanized steel.
- **Fusible Link:** UL-listed fusible (165°F Standard).

### Register Box

- **Outer Box:** 30 gauge galvanized steel.
- **Collar:** Roll-formed 28 gauge galvanized steel with roll-formed 1/4" bead.
- **Insulation:** Fiberglass diffuser-board 1-1/2" thick.

### Product Information

- UL classified.
- Body case is fabricated from hot dipped G60 galvanized steel sheets as per ASTM A-653.
- UL approved for use in design types: L-528, L-546, L-558, L-562, L-563, L-585, M-516, P-533, P-544, and P-547 (similar design applications\*: L-521, L-550, L-586, and P-522).
- Box design includes 1/2" drywall lip.
- Overall assembly height is 7.75"
- Dual bead box design for added strength.
- No assembly required, ready to mount.
- Insulation available in R-6 or R-8.
- Plaster ground extension available in 1", 1-1/2", and 2".
- Special sizes available upon request.

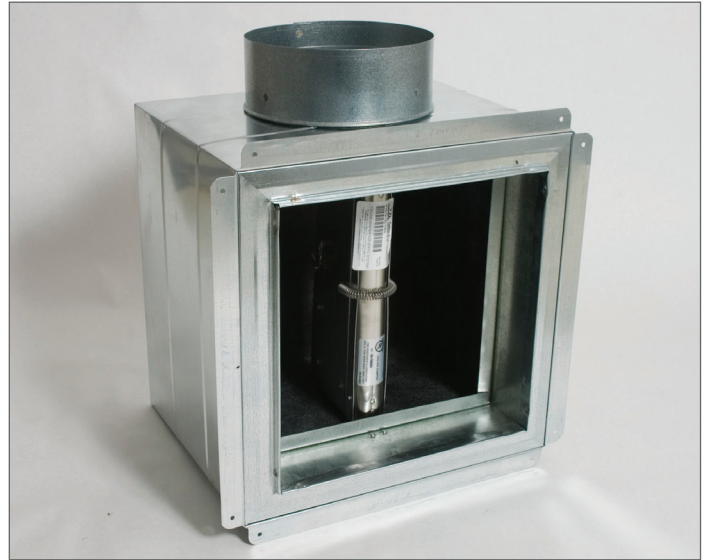
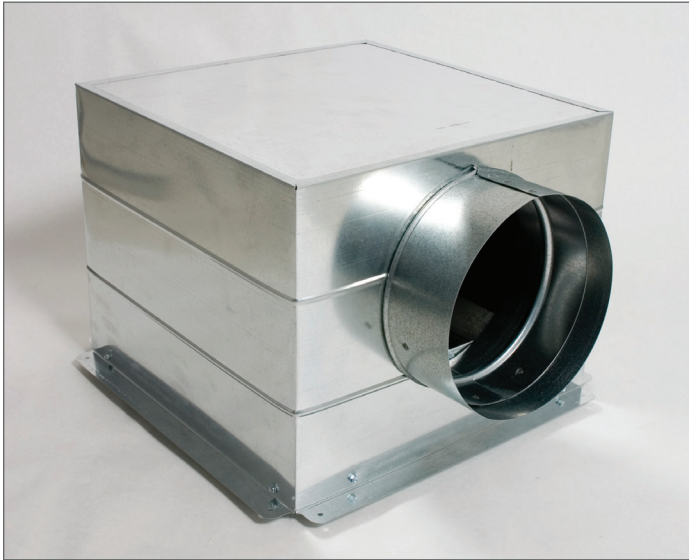


UL File No. 10967

Minimum	Maximum	Outlet Size	Box Height
4" x 4"	16" x 16"	4"-12"	4.5"

\*Similar design applications have not been evaluated and are not UL Classified for use with the associated Miami Tech products.

## MODEL CRDS Ceiling Radiation Damper Box

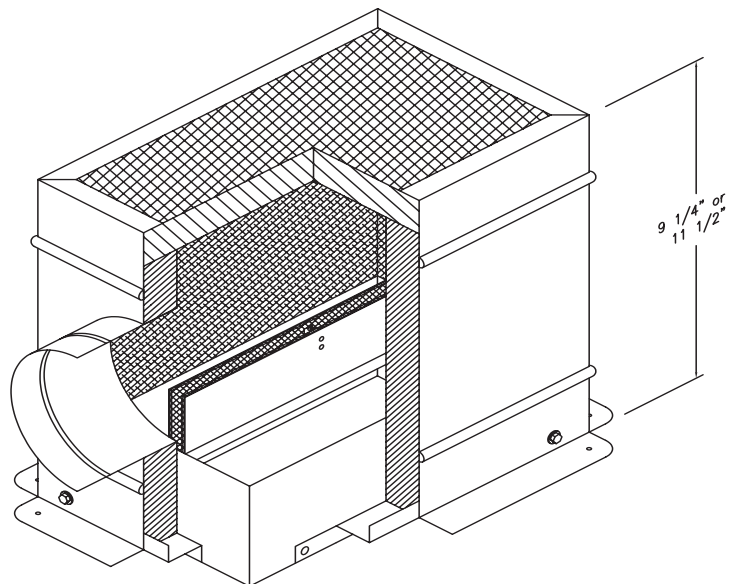


### Product Construction

- **Fusible Link:** UL-listed fusible (165°F Standard)

### Product Information

- UL classified.
- Designed to function as a heat barrier in air handler openings in fire resistant membrane ceilings.
- UL approved for use in design types: L-528, L-546, L-558, L-562, L-563, L-585, M-516, P-533, P-544, and P-547 (similar design applications\*: L-521, L-550, L-586, and P-522).
- 1" perimeter flange provided for boot clip or angle installation.
- Opening 1/4" oversized to accommodate register/grille.
- Approved for use with steel and aluminum registers/grilles.
- Body case is fabricated from hot dipped G60 galvanized steel sheets as per ASTM A-653.
- No assembly required, ready to mount.
- Insulation available in R-6 or R-8.
- Available collar diameters 4"-12".
- Box depth is 11-1/2" for collars over 8". All others are 9-1/4".
- Damper surface depth is minimum 3" from drywall lip.
- Plaster ground extension available in 1", 1-1/2", and 2".
- Special sizes available upon request.

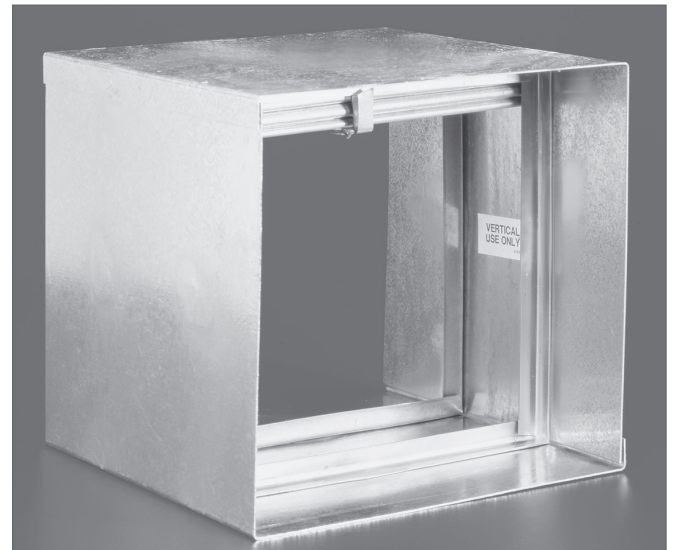
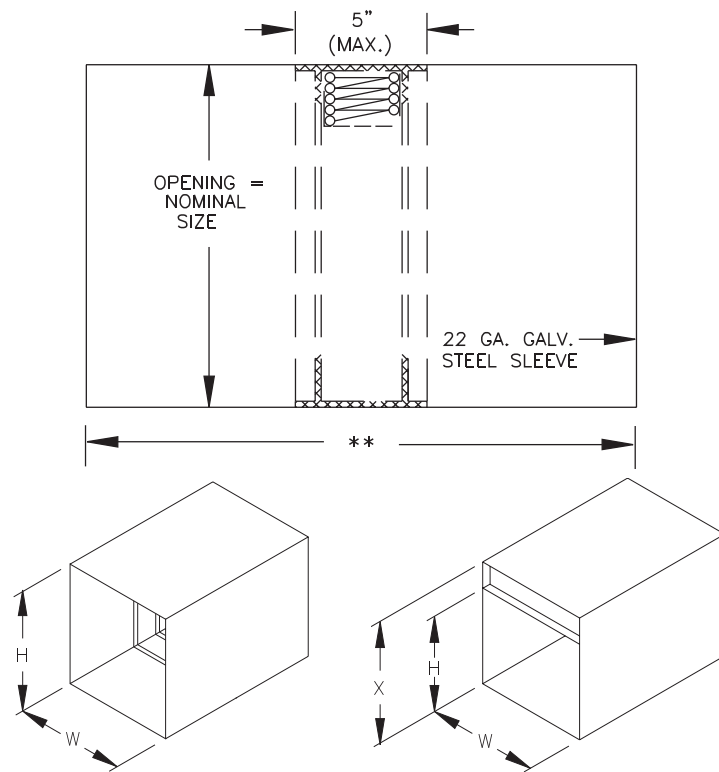


UL File No. 10967

Available Sizes (W" x H")	
Minimum	Maximum
6" x 4"	16" x 16"

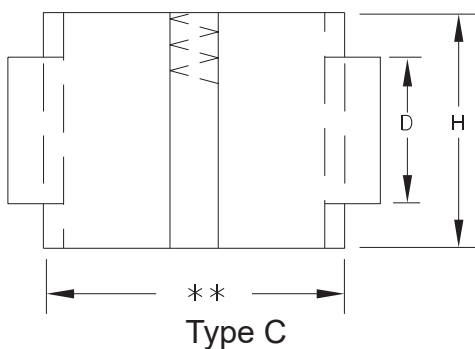
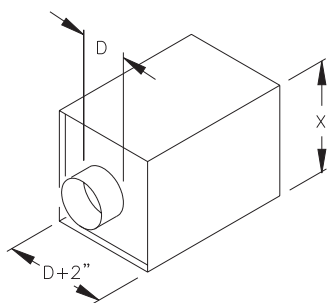
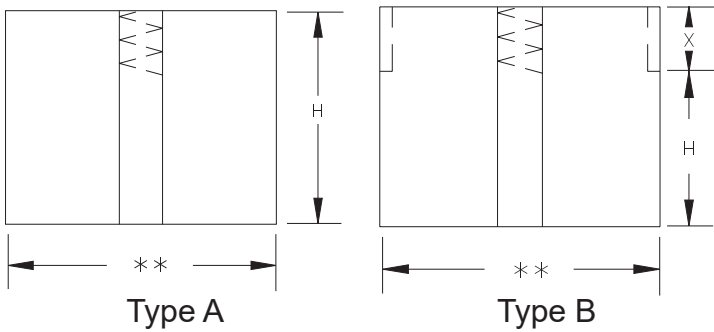
\*Similar design applications have not been evaluated and are not UL Classified for use with the associated Miami Tech products.

## Fixed Fire Damper Sleeve Optional Accessory



### Product Information

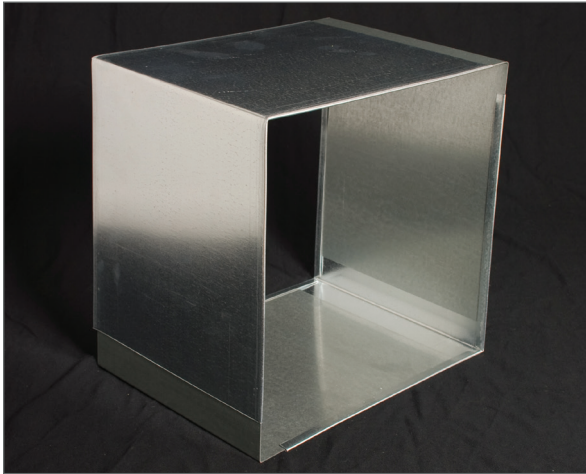
- Standard 22 gauge galvanized steel sleeves for use with Type A, B, C, E, and F curtain fire dampers.
- Assembled at the factory, each fire damper sleeve ensures appropriate UL approved installation.
- Available for both static and dynamic system applied fire dampers.
- Assembly meets all UL and NFPA requirements for Primary Fire Dampers and carries a UL555 classified fire damper label. Approved for use where ducts penetrate partitions with fire resistance ratings of two hours or less.
- Dampers are mounted in the center of the sleeve as standard. Optional off-center mounting locations are also available.



W = Width (Duct), H = Height (Duct), D = Duct Diameter - 1/4"  
 X = Variable (see Dimensional Data on page 67). Available in 8", 12", 14", 16", 18", 20" and 24" lengths.

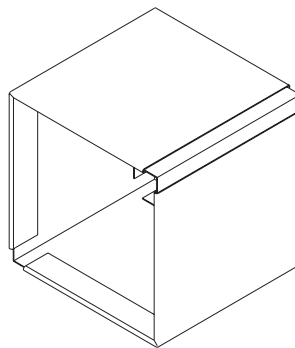


## Adjustable Fire Damper Sleeve Optional Accessory

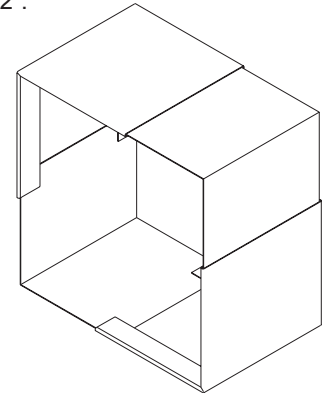


### Product Information

- Adjustable sleeves for all 150 series fire dampers allowing stocking of one sleeve to accommodate a multitude of damper sizes.
- Standard configurations use 22 gauge galvanized steel in 12" lengths. Custom sizes and gauges are also available.
- Available in four base sizes:
- Model 8 can accommodate square or rectangular dampers from 8" x 8" through 12" x 12".
- Model 12 can accommodate square or rectangular dampers from 12" x 12" through 16" x 16".
- Model 16 can accommodate square or rectangular dampers from 16" x 16" through 18" x 18".
- Model 16 can accommodate square or rectangular dampers from 18" x 18" through 22" x 22".

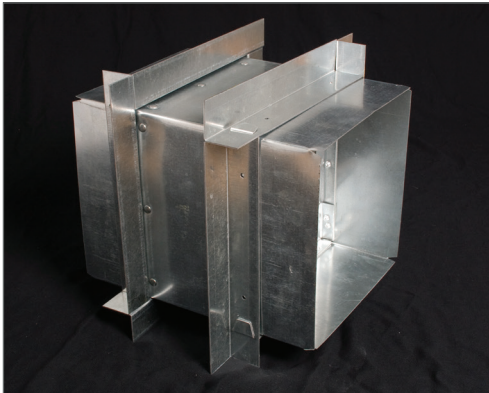


Minimum Size



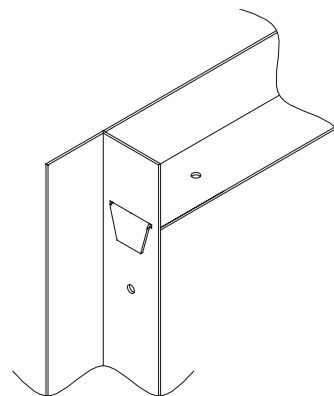
Fully Expanded

## Model PFA - Picture Frame Angle Optional Accessory

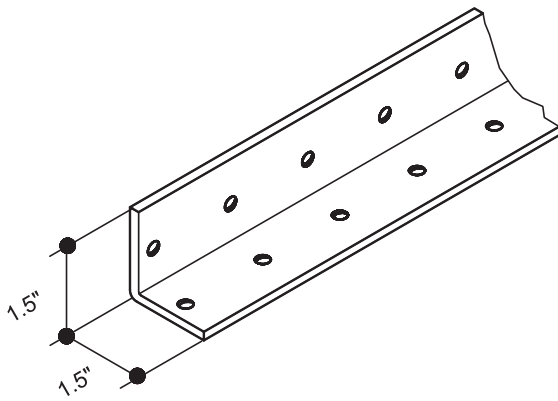


### Product Information

- Retaining angles are required to ensure correct installation per UL instructions.
- All retaining angles are manufactured for each individual fire damper to ensure correct size.
- Standard angles are manufactured of 1-1/2" x 1-1/2" x 16 gauge galvanized steel.
- Angles are shipped loose with each individual damper.



### RDB Mounting Angles Models: RDBSA & RDBSA10

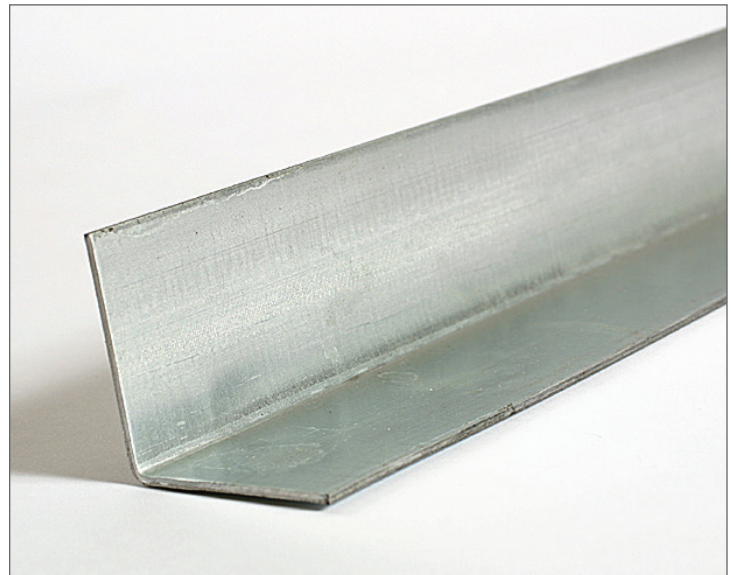
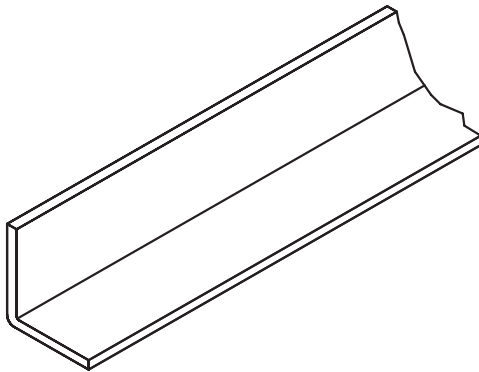


Available Sizes, (1.5" x 1.5")		
Part No.	Size	Bundle Qty.
RDBSA	26"	10 pcs
RDBSA10	10'	100 ft.

#### Product Information

- Custom sizes available.
- Standard 16 gauge.

### Mounting Angles Models: MA1, MA15, & MA2

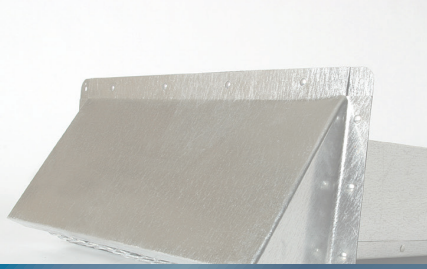
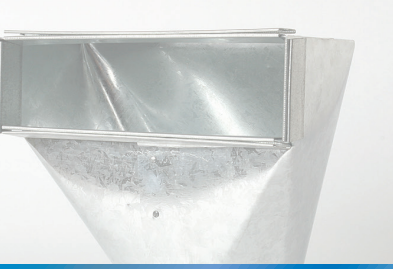
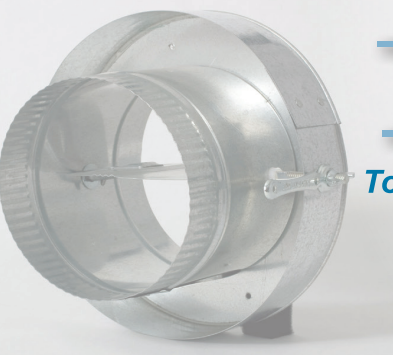
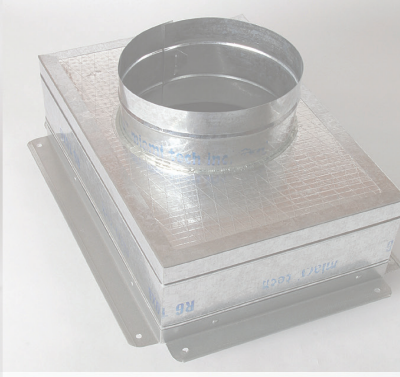
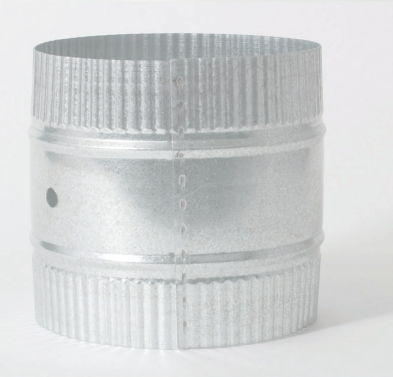
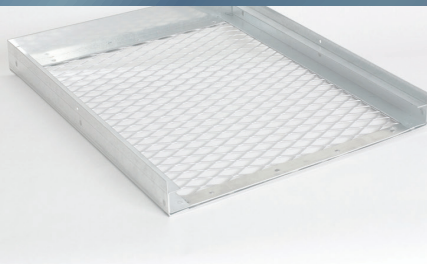


Available Sizes				
Part No.	Size	Gauge	Length	Qty.
MA261-10	1" x 1"	26ga.	10'	50 ft.
MA2615-10	1.5" x 1.5"	26ga.	10'	50 ft.
MA2222-10	2" x 2"	22ga.	10'	50 ft.
MA1615-10	1.5" x 1.5"	16ga.	10'	50 ft.
MA261	1" x 1"	26ga.	26"	10 pcs

#### Product Information

- Available in 26" length.
- Available in 10ft length.
- Various sizes available.
- Various gauges available.





[WWW.MIAMITECH.COM](http://WWW.MIAMITECH.COM)

Toll Free: (800) 339-2290 Ph: (305) 693-7054 Fax: (305) 693-6152

2023