



STANDARD CONSTRUCTION

MATERIAL:
26/28 GAUGE ASTM A-653 HOT-DIPPED GALVANIZED STEEL SHEET

CONSTRUCTION:
MECHANICALLY RIVETED BODY

FEATURES

GALVANIZED STEEL PROVIDES EXCELLENT CORROSION RESISTANCE AND LONGEVITY.

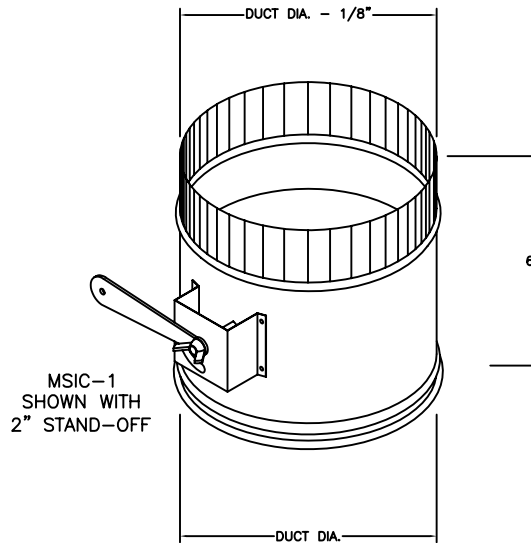
SPIN-IN GROOVE FABRICATED INTO BODY TO ENSURE ACCURATE INLET DIAMETER.

CLAMP BAND AND PIPE CRIMP FACILITATE QUICK AND SECURE FIELD INSTALLATION.

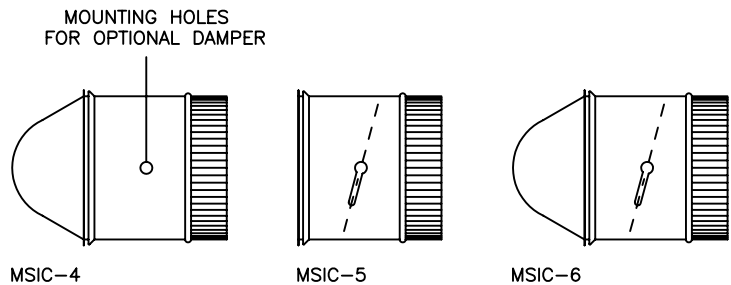
OPTIONS: CUSTOM SIZES AVAILABLE.
2" STAND-OFF (MSIC-SO)
TAPERED STYLE (MSICT)
3" BODY (MSICA)

STANDARD SIZES:

PLAIN	W/ SCOOP	W/ DAMPER	W/ SCOOP AND DAMPER	GAUGE	SIZE	QTY.
MSIC4-1	MSIC4-4	MSIC4-5	MSIC4-6	28	4"	1
MSIC5-1	MSIC5-4	MSIC5-5	MSIC5-6	28	5"	1
MSIC6-1	MSIC6-4	MSIC6-5	MSIC6-6	28	6"	1
MSIC7-1	MSIC7-4	MSIC7-5	MSIC7-6	28	7"	1
MSIC8-1	MSIC8-4	MSIC8-5	MSIC8-6	28	8"	1
MSIC10-1	MSIC10-4	MSIC10-5	MSIC10-6	28	10"	1
MSIC12-1	MSIC12-4	MSIC12-5	MSIC12-6	26	12"	1
MSIC14-1	MSIC14-4	MSIC14-5	MSIC14-6	26	14"	1
MSIC16-1	MSIC16-4	MSIC16-5	MSIC16-6	26	16"	1
MSIC18-1	MSIC18-4	MSIC18-5	MSIC18-6	26	18"	1
MSIC20-1	MSIC20-4	MSIC20-5	MSIC20-6	26	20"	1



JOB NAME:
LOCATION:
ARCHITECT:
ENGINEER:
CONTRACTOR:
CONTACT MIAMI TECH INC. FOR ADDITIONAL INFORMATION OR WITH SPECIAL REQUIREMENTS.
3611 NW 74TH ST MIAMI, FL 33147 PHONE: 305-693-7054 FAX: 305-693-6152
WEB: WWW.MIAMITECH.COM EMAIL: SALES@MIAMITECH.COM



MSIC-1

SPIN-IN COLLAR FOR METAL
PRODUCT SPECIFICATIONS

NOTE: ALL DRAWINGS SUBJECT TO CHANGE WITHOUT PRIOR NOTICE.



DRAWN BY: AF	DATE: 10/10/07	SCALE: NOT TO SCALE	DRAWING NO. MSIC-1
CHECKED BY: IG	DATE: 10/10/07	REVISION: 1	