



STANDARD CONSTRUCTION

FRAME:
6063T5 EXTRUDED ALUMINUM
NOMINAL WALL THICKNESS OF 0.081"
UNIVERSAL C-CHANNEL FRAME

BLADES:
6063T5 EXTRUDED ALUMINUM
NOMINAL WALL THICKNESS OF 0.081"
SPACED AT APPROXIMATE 4" CENTERS

BEARINGS:
PERMANENTLY LUBRICATED NYLON BUSHING
PRESS FIT INTO FRAME

OPERATOR SHAFT:
1/2" DIAMETER PLATED STEEL SHAFT EXTENDS
6" PAST FRAME

OPERATOR MOTOR:
HIGH-TORQUE ACTUATOR (24/120VAC)

FINISH:
MILL ALUMINUM

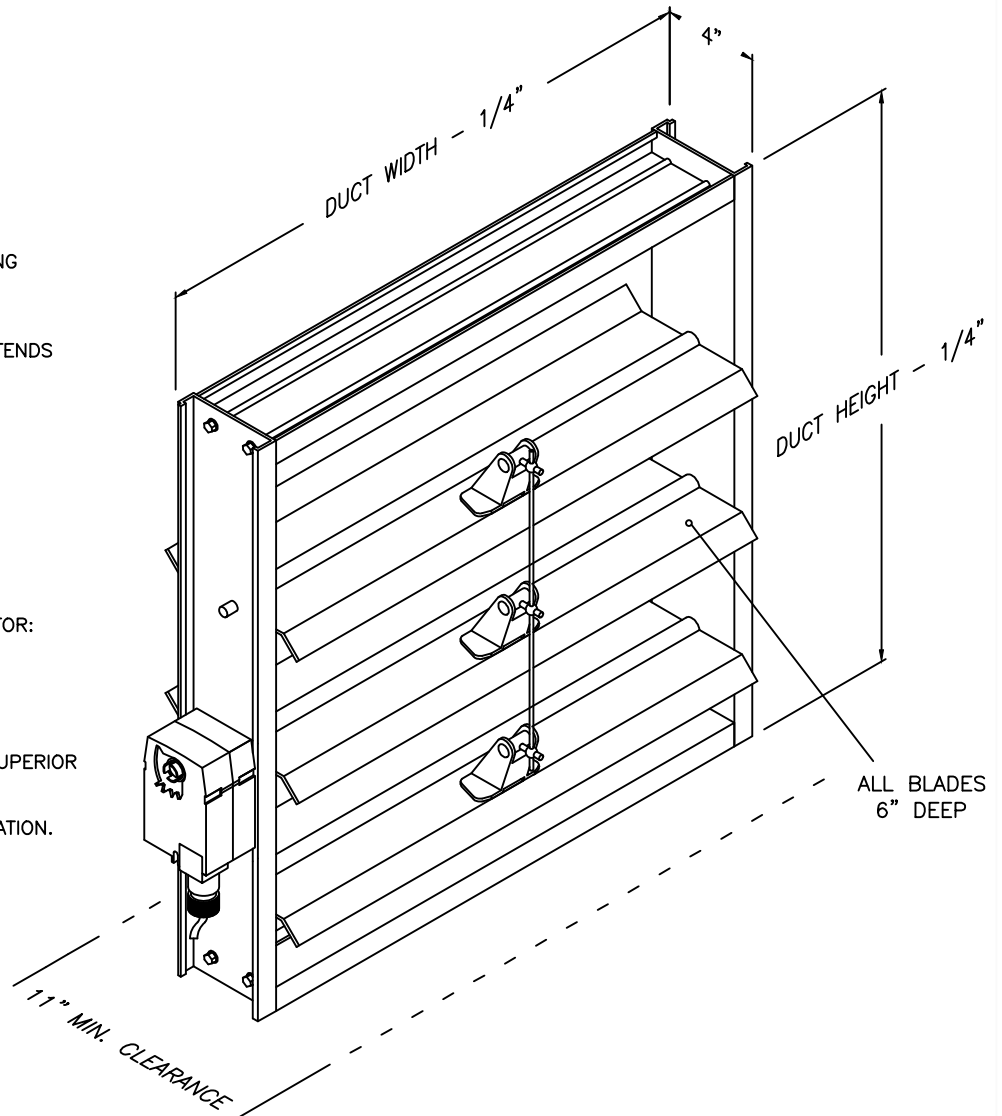
MINIMUM SIZE:
12" W X 12" H

MAXIMUM DAMPER SIZE WITH SINGLE MOTOR:
60" W X 48" H

FEATURES

HEAVY EXTRUDED ALUMINUM PROVIDES SUPERIOR DURABILITY AND RESISTS CORROSION.

SOLID HARDWARE ALLOWS SMOOTH OPERATION.



JOB NAME:
LOCATION:
ARCHITECT:
ENGINEER:
CONTRACTOR:
CONTACT MIAMI TECH INC. FOR ADDITIONAL INFORMATION OR WITH SPECIAL REQUIREMENTS. 3611 NW 74 ST MIAMI FL 33147 PHONE: 305-693-7054 FAX: 305-693-6152 WEB: WWW.MIAMITECH.COM EMAIL: SALES@MIAMITECH.COM

MPBDXX-POSC
MOTORIZED PARALLEL BLADE DAMPER
PRODUCT SPECIFICATIONS

NOTE: ALL DRAWINGS SUBJECT TO CHANGE WITHOUT PRIOR NOTICE.



DRAWN BY: CG	DATE: 9/17/15	SCALE: NOT TO SCALE
CHECKED BY: IV	DATE: 9/17/15	REVISION: 1

DRAWING NO. MPBD