

STANDARD CONSTRUCTION

PLATE SUPPORT:
22 GAUGE ASTM A-653 HOT-DIPPED
GALVANIZED STEEL SHEET

NAIL BRACKET:
16 GAUGE ASTM A-653 HOT-DIPPED
GALVANIZED STEEL SHEET

FEATURES

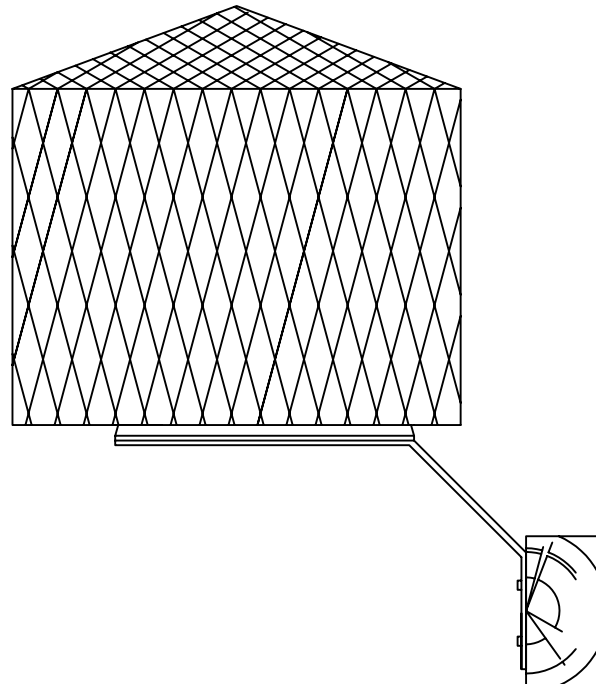
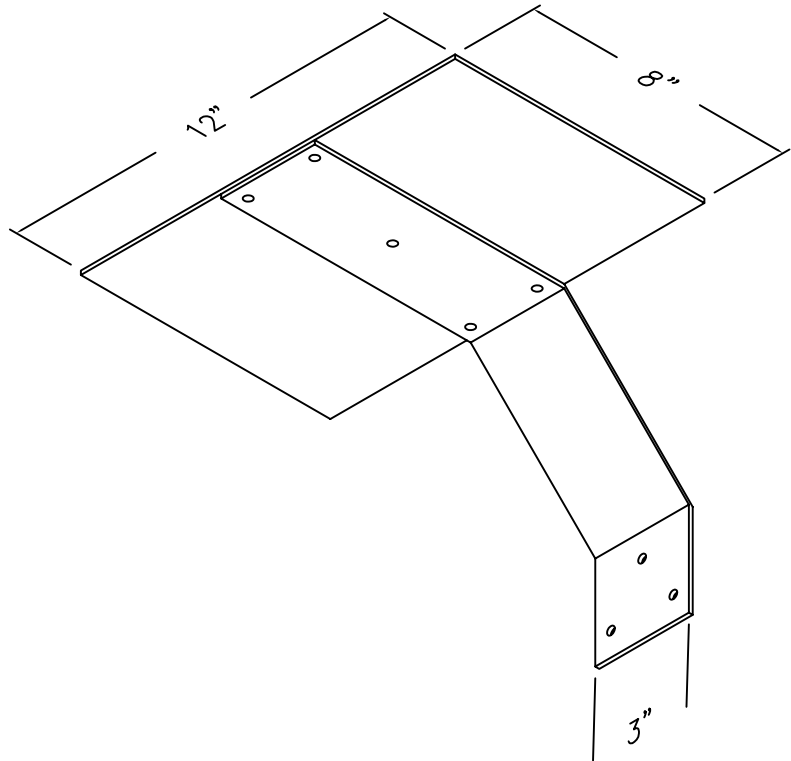
GALVANIZED STEEL PROVIDES EXCELLENT CORROSION
RESISTANCE AND LONGEVITY.

PRE-PUNCHED HOLES FOR EASY INSTALLATION.

PLATE SPOT WELDED TO NAIL BRACKET FOR
STRENGTH.

PLATE SIZE DESIGNED TO WORK WITH MTI AND
OTHER MANUFACTURERS' FIBERGLASS MIXING BOXES.

CUSTOM SIZES AVAILABLE WITH A MINIMUM ORDER
OF 100 PIECES.



JOB NAME:
LOCATION:
ARCHITECT:
ENGINEER:
CONTRACTOR:
CONTACT MIAMI TECH INC. FOR ADDITIONAL INFORMATION OR WITH SPECIAL REQUIREMENTS.
3611 NW 74TH ST MIAMI, FL 33147 PHONE: 305-693-7054 FAX: 305-693-6152
WEB: WWW.MIAMITECH.COM EMAIL: SALES@MIAMITECH.COM

NOTE: FIBERGLASS DISTRIBUTION BOX IS SHOWN FOR
ILLUSTRATION PURPOSES ONLY. IT IS NOT
INCLUDED WITH THE MBB.

MBB

MIXING BOX BRACKET
PRODUCT SPECIFICATIONS

NOTE: ALL DRAWINGS SUBJECT TO CHANGE WITHOUT PRIOR NOTICE.

DRAWN BY: AF	DATE: 09/20/07	SCALE: NOT TO SCALE	DRAWING NO.
CHECKED BY: IG	DATE: 09/20/07	REVISION: 1	MBB