

STANDARD CONSTRUCTION

MATERIAL:
16 GAUGE ASTM A-653 HOT-DIPPED GALVANIZED STEEL

LEGS:
1" X 1" x 16GA GALVANIZED STEEL SQUARE TUBE LEG

CROSSBAR:
1" X 1" x 16GA GALVANIZED STEEL SQUARE TUBE CROSSBAR
0.8125" x 0.8125" x 16GA GALVANIZED STEEL SQUARE TUBE CROSSBAR

ANGLE:
1.875" X 1.75" x 12GA GALVANIZED STEEL ANGLE
1.125" X 0.875" x 16GA GALVANIZED STEEL ANGLE

OPTIONS:
CUSTOM SIZES AVAILABLE

STANDARD SIZES:

WIDTH (W)	HEIGHT (H)	DEPTH (D)	BOX QTY.
14" - 24"	18"	22"	1
14" - 24"	24"	22"	1
17" - 27"	18"	22"	1
17" - 27"	24"	22"	1

BUILT-IN FILTER RACK ACCOMMODATES STANDARD 1" FILTERS.

1/8" X 3/8" RUBBER STRIPS INCLUDED TO MINIMIZE VIBRATION.

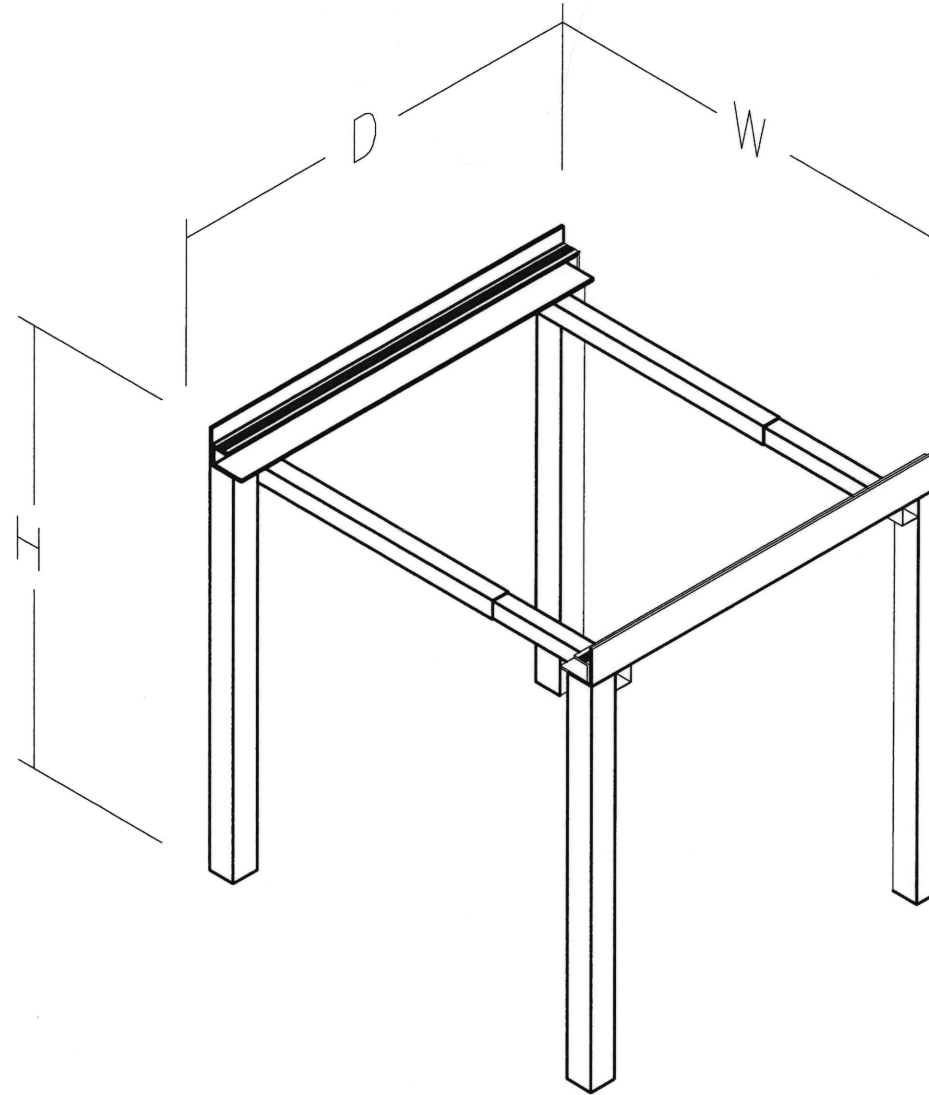
1" PLASTIC CAPS ON UPPER AND LOWER LEG OPENINGS.

N: WIDTH ADJUSTABLE FROM 14" - 24"

W: WIDTH ADJUSTABLE FROM 17" - 27"

MAXIMUM UNIT WEIGHT: 300LBS

HEB AIR HANDLER STAND



DESIGN NOTES:

THIS SYSTEM HAS BEEN DESIGN FOR INTERIOR USE ONLY TO RESIST DEAD LOADS (AS DESCRIBED HEREIN) FOR MECHANICAL UNITS ONLY.

GENERAL NOTES

- THIS SYSTEM HAS BEEN DESIGNED PER THE CURRENT EDITION OF THE AISI DESIGN MANUAL. IF NECESSARY, VERIFY WITH GOVERNING AUTHORITY THAT THIS STANDARD IS ACCEPTABLE FOR INSTALLATION.
- MAXIMUM DIMENSIONS AND WEIGHT OF A/C UNIT SHALL CONFORM TO SPECIFICATIONS STATED HEREIN.
- THE ARCHITECT/ENGINEER OF RECORD FOR THE PROJECT SUPERSTRUCTURE WITH WHICH THIS DESIGN IS USED SHALL BE RESPONSIBLE FOR THE INTEGRITY OF ALL SUPPORTING SURFACES.
- ALL MEMBERS SHALL BE STEEL WITH MINIMUM $F_y = 33$ KSI.
- WELDS SHALL HAVE EVIDENCE OF UNIFORM SECTION, SMOOTHNESS OF WELD METAL, FREE FROM POROSITY AND CLINKERS, AND ADEQUATE STRENGTH AND DURABILITY.
- THE CONTRACTOR IS RESPONSIBLE TO INSULATE MEMBERS FROM DISSIMILAR MATERIALS TO PREVENT ELECTROLYSIS.
- ELECTRICAL GROUND, WHEN REQUIRED, TO BE DESIGNED & INSTALLED BY OTHERS. ALL MECHANICAL SPECIFICATIONS (CLEAR SPACE, TONNAGE, ETC.) SHALL BE AS PER MANUFACTURER RECOMMENDATIONS AND ARE THE EXPRESS RESPONSIBILITY OF THE CONTRACTOR.
- ENGINEER SEAL AFFIXED HERETO VALIDATES STRUCTURAL DESIGN AS SHOWN ONLY. USE OF THIS SPECIFICATION BY CONTRACTOR, et. al. INDEMNIFIES & SAVES HARMLESS THIS ENGINEER FOR ALL COST & DAMAGES INCLUDING LEGAL FEES & APPELLATE FEES RESULTING FROM MATERIAL FABRICATION, SYSTEM ERECTION, CONSTRUCTION PRACTICES BEYOND THAT WHICH IS CALLED FOR BY LOCAL, STATE, & FEDERAL CODES & FROM DEVIATIONS OF THIS PLAN.
- THE SYSTEM DETAILED HEREIN IS GENERIC AND DOES NOT PROVIDE INFORMATION FOR A SPECIFIC SITE. FOR SITE CONDITIONS DIFFERENT FROM THE CONDITIONS DETAILED HEREIN, A LICENSED ENGINEER OR REGISTERED ARCHITECT SHALL PREPARE SITE SPECIFIC DOCUMENTS FOR USE IN CONJUNCTION WITH THIS DOCUMENT.
- EXCEPT AS EXPRESSLY PROVIDED HEREIN, NO ADDITIONAL CERTIFICATIONS OR AFFIRMATIONS ARE INTENDED.

FRANK L. BENNARDO, P.E.
PE# 0046549 CA# 9885

07/05/2019
REQUIRED
CERTIFYING ENGINEER IS THE NAME LISTED ON THE SEAL

VALID FOR 1 PERMIT ONLY U.N.O.

NOTICE: IF THIS SHEET DOES NOT CONTAIN AN ORIGINAL SIGNATURE & ENGINEER SEAL:

IF THERE IS A DIGITAL SIGNATURE ON SHEET 1, THIS SHEET IS PART OF A DIGITALLY SIGNED FILE, SHALL REMAIN IN DIGITAL FORMAT, & PRINTED COPIES OF THIS DOCUMENT ARE NOT CONSIDERED SIGNED AND SEALED. IF THERE IS NO DIGITAL SIGNATURE ON SHEET 1 OR THIS SHEET DOES NOT CONTAIN AN ENGINEER'S ORIGINAL SIGNATURE & SEAL, THIS SHEET IS A COPY/DRAFT.

ENGINEERING EXPRESS
CORPORATE OFFICE:
160 SW 12th AVE, SUITE 106
DEERFIELD BEACH, FL 33442
P: (954) 354-0660 F: (954) 354-0443
OFFICE@ENGINEERINGEXPRESS.COM
ENGINEERINGEXPRESS.COM

MIAMI TECH, INC.
3611 NW 74TH ST
MIAMI, FL
(305) 693-7054
HEB AIR HANDLER STANDS
MASTER PLAN SHEET
FL

REMARKS	DRWN	CHKD	DATE
INIT ISSUE	TV	RN	07/02/19

THIS DOCUMENT IS THE PROPERTY OF ENGINEERING EXPRESS AND SHALL NOT BE REPRODUCED IN WHOLE OR PART WITHOUT WRITTEN CONSENT OF ENGINEERING EXPRESS. ALTERATIONS, ADDITIONS, OR OTHER MARKINGS TO THIS DOCUMENT ARE NOT PERMITTED AND INVALIDATE OUR CERTIFICATION.

COPYRIGHT ENGINEERING EXPRESS®

19-8103b

SCALE: NTS UNLESS NOTED

1 OF 1

V:\projects\19-8103 Air Handler Stand\WP\19-8103b-HEB.dwg
rickn
07/05/2019 - 11:08am