

STANDARD CONSTRUCTION
MATERIAL:

16 GAUGE ASTM A-653 HOT-DIPPED GALVANIZED STEEL

LEGS:

1" X 1" X 16GA GALVANIZED STEEL SQUARE TUBE LEG

CROSSBAR:

 1" X 1" X 16GA GALVANIZED STEEL SQUARE TUBE CROSSBAR
 0.8125" X 0.8125" X 16GA GALVANIZED STEEL SQUARE TUBE
 CROSSBAR

ANGLE:

 1.875" X 1.75" X 12GA GALVANIZED STEEL ANGLE
 1.125" X 0.875" X 16GA GALVANIZED STEEL ANGLE

OPTIONS:

CUSTOM SIZES AVAILABLE

STANDARD SIZES:

PART NUMBER	WIDTH (W)	HEIGHT (H)	DEPTH (D)	BOX QTY.
HEB18N	14" - 24"	18"	22"	1
HEB24N	14" - 24"	24"	22"	1
HEB18W	17" - 30"	18"	22"	1
HEB24W	17" - 30"	24"	22"	1

FEATURES:

1" X 1" SQUARE GALVANIZED LEGS PROVIDE EXCELLENT STABILITY AND CORROSION RESISTANCE.

BUILT-IN FILTER RACK ACCOMMODATES STANDARD 1" FILTERS.

1/8" X 3/8" RUBBER STRIPS INCLUDED TO MINIMIZE VIBRATIONS.

1" PLASTIC CAPS ON UPPER AND LOWER LEG OPENINGS.

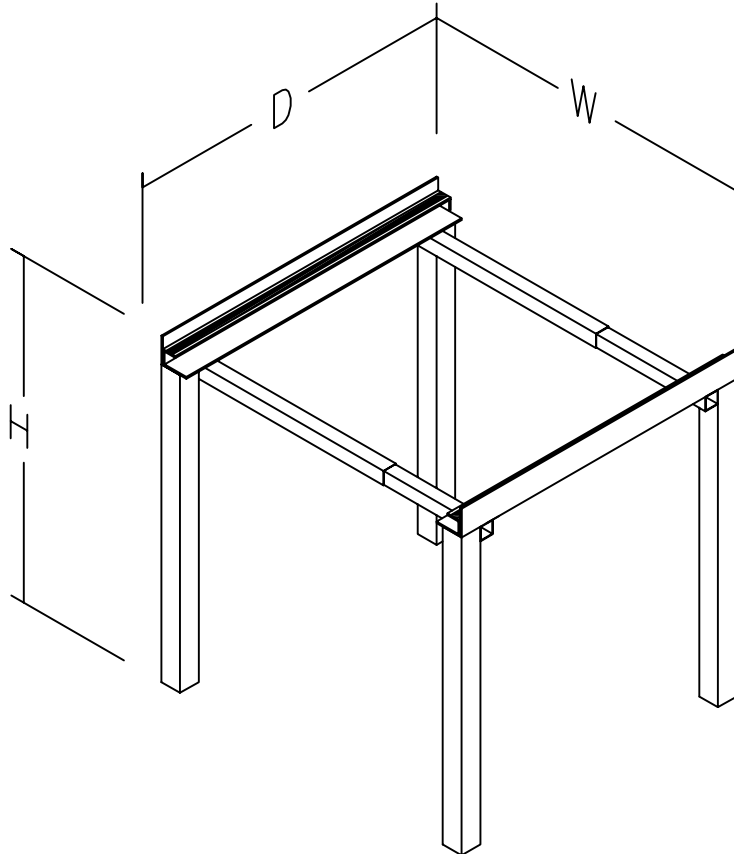
UNIVERSAL DEPTH TO FIT MOST AIR HANDLER UNITS.

N: WIDTH ADJUSTABLE FROM 14" - 24"

W: WIDTH ADJUSTABLE FROM 17" - 30"

AVAILABLE IN PALLET QUANTITY (25 UNITS/PALLET)

MAXIMUM UNIT WEIGHT: 300LBS



JOB NAME:
LOCATION:
ARCHITECT:
ENGINEER:
CONTRACTOR:
CONTACT MIAMI TECH INC. FOR ADDITIONAL INFORMATION OR WITH SPECIAL REQUIREMENTS. 3611 NW 74TH ST MIAMI, FL 33147 PHONE: 305-693-7054 FAX: 305-693-6152 WEB: WWW.MIAMITECH.COM EMAIL: SALES@MIAMITECH.COM

HEB
 AIR HANDLER STAND
 PRODUCT SPECIFICATIONS

NOTE: ALL DRAWINGS SUBJECT TO CHANGE WITHOUT PRIOR NOTICE.

DRAWN BY:	AF	DATE:	09/13/07	SCALE:	NOT TO SCALE
CHECKED BY:	IG	DATE:	6/6/19	REVISION:	F

 DRAWING NO.
HEB