



**STANDARD CONSTRUCTION**

BODY:  
14 GAUGE ASTM A-653 HOT-DIPPED GALVANIZED STEEL

STANDARD SIZES:

| MODEL         | ADJUSTABLE WIDTH | DEPTH | BOX QTY. |
|---------------|------------------|-------|----------|
| HABN (NARROW) | 14" - 20"        | 22"   | 1        |
| HABW (WIDE)   | 16" - 26"        | 22"   | 1        |

**FEATURES**

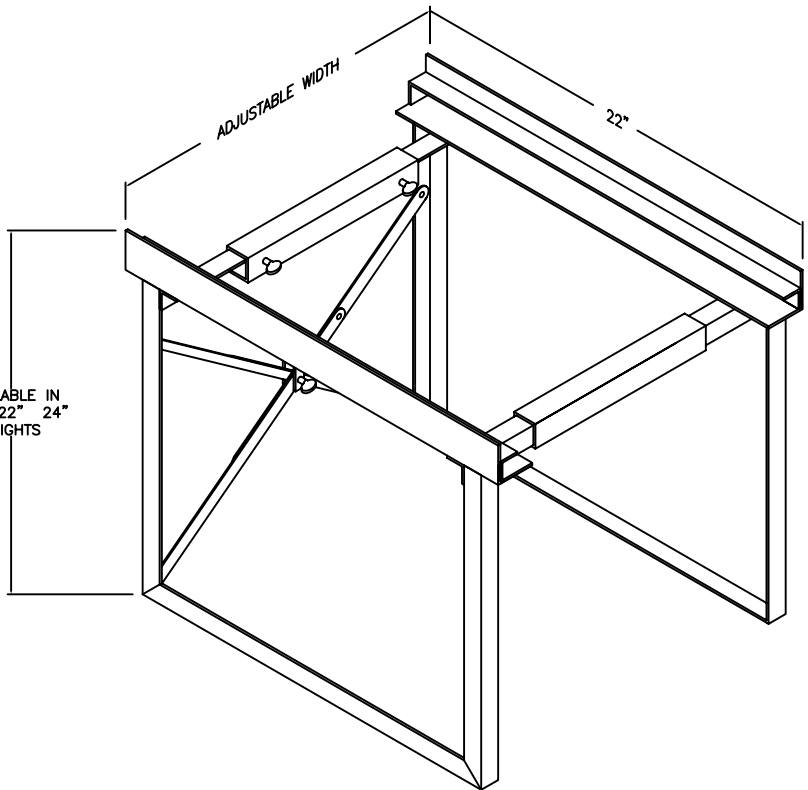
14 GAUGE GALVANIZED STEEL PROVIDES EXCELLENT CORROSION RESISTANCE AND LONGEVITY.

CROSS MEMBER SUPPORT AND WELDED CONSTRUCTION FOR ADDED STRENGTH.

BUILT-IN FILTER RACK.

RATED TO SUPPORT AIR HANDLERS UP TO 200 LBS.

ASSEMBLY INSTRUCTIONS INCLUDED.



PATENTS: 5,308,037  
4,407,171

|   |
|---|
| JOB NAME:   |
| LOCATION:   |
| ARCHITECT:  |
| ENGINEER:   |
| CONTRACTOR:   |
| CONTACT MIAMI TECH INC. FOR ADDITIONAL INFORMATION OR WITH SPECIAL REQUIREMENTS.<br>3611 NW 74TH ST<br>MIAMI, FL 33147<br>PHONE: 305-693-7054 FAX: 305-693-6152<br>WEB: WWW.MIAMITECH.COM<br>EMAIL: SALES@MIAMITECH.COM |

**HAB**

(PATENTED)

HEAVY DUTY AIR HANDLER BASE  
PRODUCT SPECIFICATIONS

NOTE: ALL DRAWINGS SUBJECT TO CHANGE WITHOUT PRIOR NOTICE.

