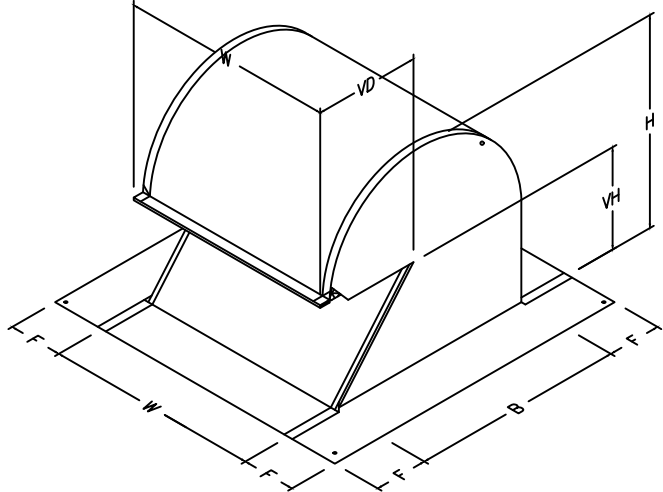


Interior Soldering Line
 Exterior Soldering Line



MODEL	WIDTH (W)	HEIGHT (H)	FLANGE (F)	BASE (B)	VENT DEPTH (VD)	VENT HEIGHT (VH)	VENT OPENING (SQ. IN)	COLLAR OPTION (DA)
GRV4-SOLDER	4"	6"	2 1/2"	7"	2 3/4"	3"	11.4	4"
GRV4T-SOLDER		9"	2 1/2"	7"	2 3/4"	6"	11.4	
GRV4XT-SOLDER		14 1/8"	3"	10"	4 3/4"	10 1/4"	19.6	
GRV6-SOLDER	6"	6"	2 1/2"	7"	2 3/4"	3"	16.9	6"
GRV6T-SOLDER		9"	2 1/2"	7"	4 3/4"	6"	16.9	
GRV6XT-SOLDER		14 1/8"	3"	10"	4 3/4"	10 1/4"	29.1	
GRV7-SOLDER	7"	6"	2 1/2"	7"	2 3/4"	3"	19.6	6"
GRV7T-SOLDER		9"	2 1/2"	7"	2 3/4"	6"	19.6	
GRV7XT-SOLDER		14 1/8"	3"	10"	4 3/4"	10 1/4"	33.5	
GRV8-SOLDER	8"	6"	2 1/2"	7"	2 3/4"	3"	22.4	8"
GRV8T-SOLDER		9"	2 1/2"	7"	2 3/4"	6"	38.5	
GRV8XT-SOLDER		14 1/8"	3"	10"	4 3/4"	10 1/4"	38.5	
GRV10-SOLDER	10"	9"	2 1/2"	7"	2 3/4"	6"	27.9	8"
GRV10T-SOLDER		11 3/4"	2 1/2"	9 3/8"	4 3/4"	8"	48.1	
GRV10XT-SOLDER		14 1/8"	3"	10"	4 3/4"	10 1/4"	48.1	
GRV12-SOLDER	12"	9"	2 1/2"	7"	2 3/4"	6"	35.5	10"
GRV12T-SOLDER		11 3/4"	2 1/2"	9 3/8"	2 3/4"	8"	57.4	
GRV12XT-SOLDER		14 1/8"	3"	10"	4 3/4"	10 1/4"	57.4	
GRV14-SOLDER	14"	9"	2 1/2"	7"	2 3/4"	6"	36.5	10"
GRV14T-SOLDER		11 3/4"	2 1/2"	9 3/8"	2 3/4"	8"	66.5	
GRV14XT-SOLDER		14 1/8"	3"	10"	4 3/4"	10 1/4"	66.5	

JOB NAME:
 LOCATION:
 ARCHITECT:
 ENGINEER:
 CONTRACTOR:

CONTACT MIAMI TECH INC. FOR ADDITIONAL INFORMATION OR WITH SPECIAL REQUIREMENTS.

3611 NW 74TH ST
 MIAMI, FL 33147
 PHONE: 305-693-7054 FAX: 305-693-6152

WEB: WWW.MIAMITECH.COM
 EMAIL: SALES@MIAMITECH.COM

FEATURES

BIRDSCREEN STANDARD ON ALL ROOF VENTS, UNLESS REQUESTED OTHERWISE. ADD "-NS" TO END OF PART NUMBER WHEN ORDERING GRV WITHOUT BIRDSCREEN. (i.e. GRV4XTCD-SOLDER-NS)
 26 GAUGE GALVANIZED STEEL PROVIDE EXCELLENT CORROSION RESISTANCE AND LONGEVITY.
 GRV SOLDERED AT THE EXTERIOR BASE AND THE INTERIOR CORNERS WITH 50/50 SOFT SOLDER TO AVOID WATER INFILTRATION.
 FLANGED BASE PROVIDES FOR GOOD VENT-TO-ROOF CONTACT.

STANDARD CONSTRUCTION

26 GAUGE G-90 GALVANIZED STEEL
 UNIVERSAL FLANGE

OPTIONS

CUSTOM SIZES AVAILABLE
 OTHER COLLAR SIZES AVAILABLE UPON REQUEST
 COLLAR (ADD A "C" TO THE END OF THE MODEL NUMBER)
 DAMPER (ADD A "D" TO THE END OF THE MODEL NUMBER)
 COLLAR AND DAMPER (ADD A "CD" TO THE END OF THE MODEL NUMBER)

NOTE: MAXIMUM BASE DIMENSION IS 10", EVEN IF THE WIDTH DIMENSION IS GREATER.

GRV-SOLDER

GALVANIZED ROOF VENT W/ SOLDERED SEAMS
 PRODUCT SPECIFICATIONS

NOTE: ALL DRAWINGS SUBJECT TO CHANGE WITHOUT PRIOR NOTICE.



DRAWN BY: CG	DATE: 02/14/14	SCALE: NOT TO SCALE	DRAWING NO. GRV-SOLDER
CHECKED BY: IG	DATE: 02/14/14	REVISION: F	