



STANDARD CONSTRUCTION

MATERIAL:
26/28 GAUGE ASTM A-653 HOT-DIPPED GALVANIZED STEEL SHEET

CONSTRUCTION:
MECHANICALLY RIVETED BODY

FEATURES

R6 STANDARD, UNLESS SPECIFIED OTHERWISE (FSC-R4 for 1")

GALVANIZED STEEL PROVIDES EXCELLENT CORROSION RESISTANCE AND LONGEVITY.

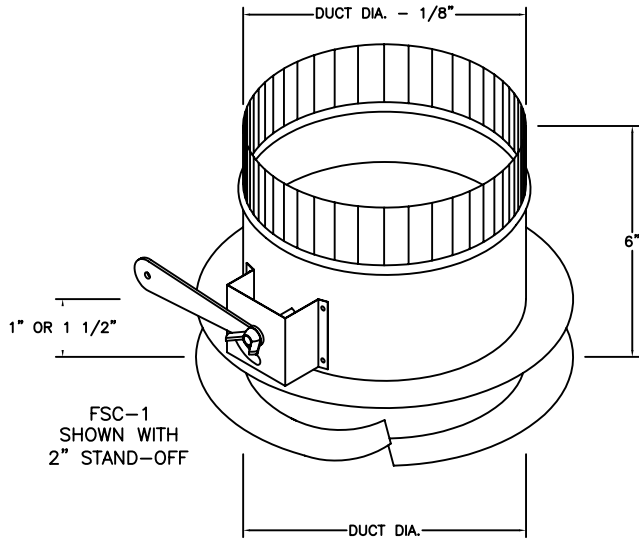
SPIN-IN GROOVE FABRICATED INTO BODY TO ENSURE ACCURATE INLET DIAMETER.

CLAMP BAND AND PIPE CRIMP FACILITATE QUICK AND SECURE FIELD INSTALLATION.

OPTIONS: CUSTOM SIZES AVAILABLE.
2" STAND-OFF (FSC-SO)
TAPERED STYLE (FSC-T)
AVAILABLE FOR 1" OR 1 1/2" FIBERGLASS.
(PLEASE SPECIFY.)

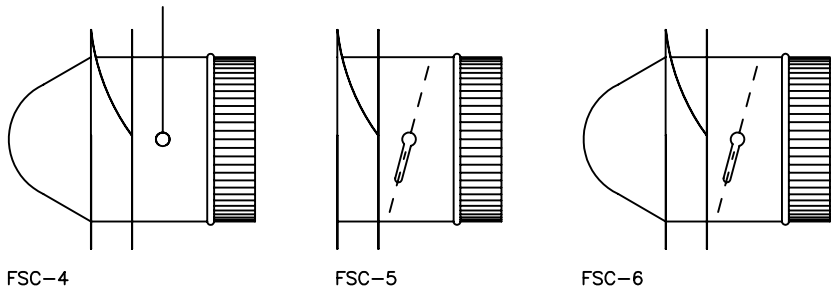
STANDARD SIZES:

PLAIN	W/ SCOOP	W/ DAMPER	W/ SCOOP AND DAMPER	GAUGE	SIZE	QTY.
FSC4-1	FSC4-4	FSC4-5	FSC4-6	28	4"	1
FSC5-1	FSC5-4	FSC5-5	FSC5-6	28	5"	1
FSC6-1	FSC6-4	FSC6-5	FSC6-6	28	6"	1
FSC7-1	FSC7-4	FSC7-5	FSC7-6	28	7"	1
FSC8-1	FSC8-4	FSC8-5	FSC8-6	28	8"	1
FSC10-1	FSC10-4	FSC10-5	FSC10-6	28	10"	1
FSC12-1	FSC12-4	FSC12-5	FSC12-6	26	12"	1
FSC14-1	FSC14-4	FSC14-5	FSC14-6	26	14"	1
FSC16-1	FSC16-4	FSC16-5	FSC16-6	26	16"	1
FSC18-1	FSC18-4	FSC18-5	FSC18-6	26	18"	1
FSC20-1	FSC20-4	FSC20-5	FSC20-6	26	20"	1



JOB NAME:
LOCATION:
ARCHITECT:
ENGINEER:
CONTRACTOR:
CONTACT MIAMI TECH INC. FOR ADDITIONAL INFORMATION OR WITH SPECIAL REQUIREMENTS.
3611 NW 74TH ST MIAMI, FL 33147 PHONE: 305-693-7054 FAX: 305-693-6152
WEB: WWW.MIAMITECH.COM EMAIL: SALES@MIAMITECH.COM

MOUNTING HOLES FOR OPTIONAL DAMPER



FSC-1

SPIN-IN COLLAR FOR FIBERGLASS
PRODUCT SPECIFICATIONS

NOTE: ALL DRAWINGS SUBJECT TO CHANGE WITHOUT PRIOR NOTICE.



DRAWN BY: AF	DATE: 10/10/07	SCALE: NOT TO SCALE	DRAWING NO. FSC-1
CHECKED BY: IG	DATE: 11/22/10	REVISION: 2	