



**PARTS:**

- 1. DOOR  
(24 GAUGE ASTM A-653 HOT-DIPPED GALVANIZED STEEL SHEET)
- 2. HINGE
- 3. CAM
- 4. FRAME  
(24 GAUGE ASTM A-653 HOT-DIPPED GALVANIZED STEEL SHEET)
- 5. 1/2" WIDE NEOPRENE FOAM GASKET
- 6. CAMLOCK
- 7. MOUNTING HOLES
- 8. 1" WIDE DOUBLE BACKED ADHEASIVE GASKET
- 9. SLEEVE CROWN FRAME W/ KNOCK-OVER TABS  
(24 GAUGE ASTM A-653 HOT-DIPPED GALVANIZED STEEL SHEET)

**FEATURES:**

6" X 6" MINIMUM / 24" X 24" MAXIMUM UNIT DIMENSIONS.

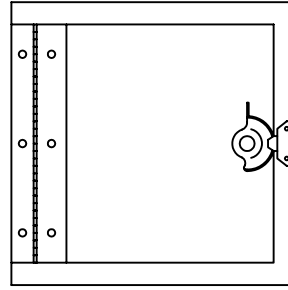
OPENING = DUCT CUTOUT IS ACTUAL LISTED SIZE.

1" THICK UL CLASSIFIED INSULATION INSIDE ACCESS DOOR.

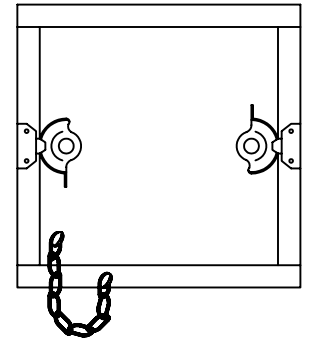
REMOVABLE SLEEVE CROWN FRAME WITH KNOCK-OVER TABS FOR EASY INSTALLATION IN FIBERGLASS DUCTWORK.

CAMLOCK DOORS LARGER THAN 14" X 14" HAVE A MINIMUM OF 4 LOCKS.

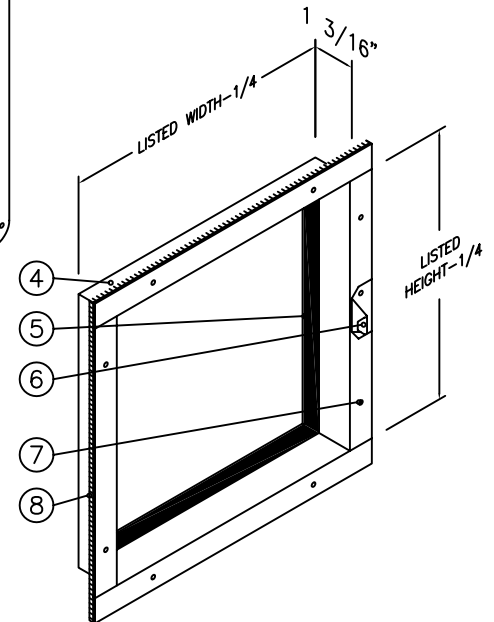
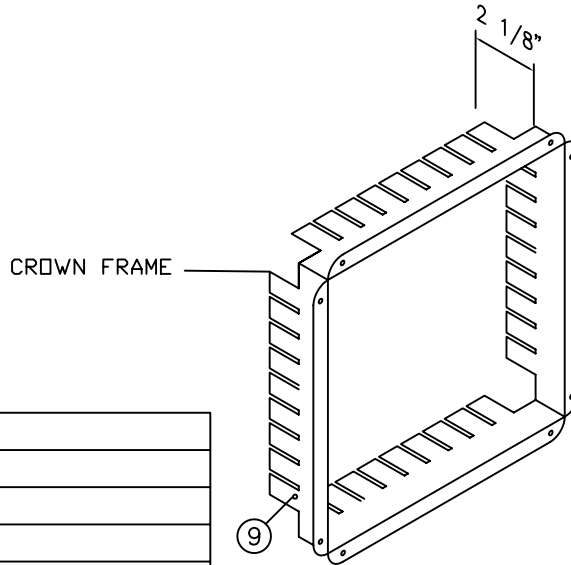
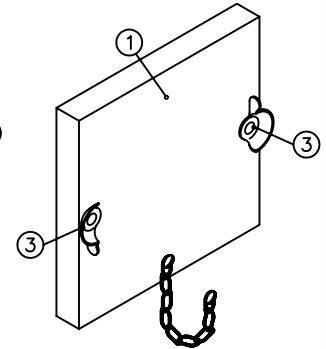
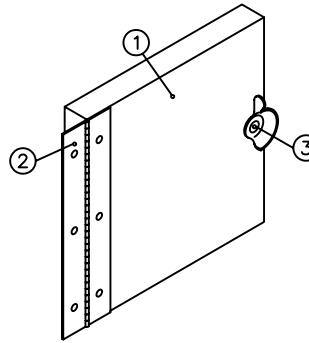
OPTIONS: CUSTOM SIZES AVAILABLE



FSA115: HINGED DOOR



FSA 116: CAMLOCK DOOR



JOB NAME:
LOCATION:
ARCHITECT:
ENGINEER:
CONTRACTOR:
CONTACT MIAMI TECH INC. FOR ADDITIONAL INFORMATION OR WITH SPECIAL REQUIREMENTS.
3611 NW 74TH ST MIAMI, FL 33147 PHONE: 305-693-7054 FAX: 305-693-6152
WEB: WWW.MIAMITECH.COM EMAIL: SALES@MIAMITECH.COM

**FSA115 / FSA116**

FSA115: HINGED ACCESS DOOR FOR METAL OR FIBERGLASS DUCT  
FSA116: CAMLOCK ACCESS DOOR FOR METAL OR FIBERGLASS DUCT  
PRODUCT SPECIFICATIONS

NOTE: ALL DRAWINGS SUBJECT TO CHANGE WITHOUT PRIOR NOTICE.



DRAWN BY: AF	DATE: 11/12/07	SCALE: NOT TO SCALE	DRAWING NO. FSA115/FSA116
CHECKED BY: IG	DATE: 11/12/07	REVISION: 1	