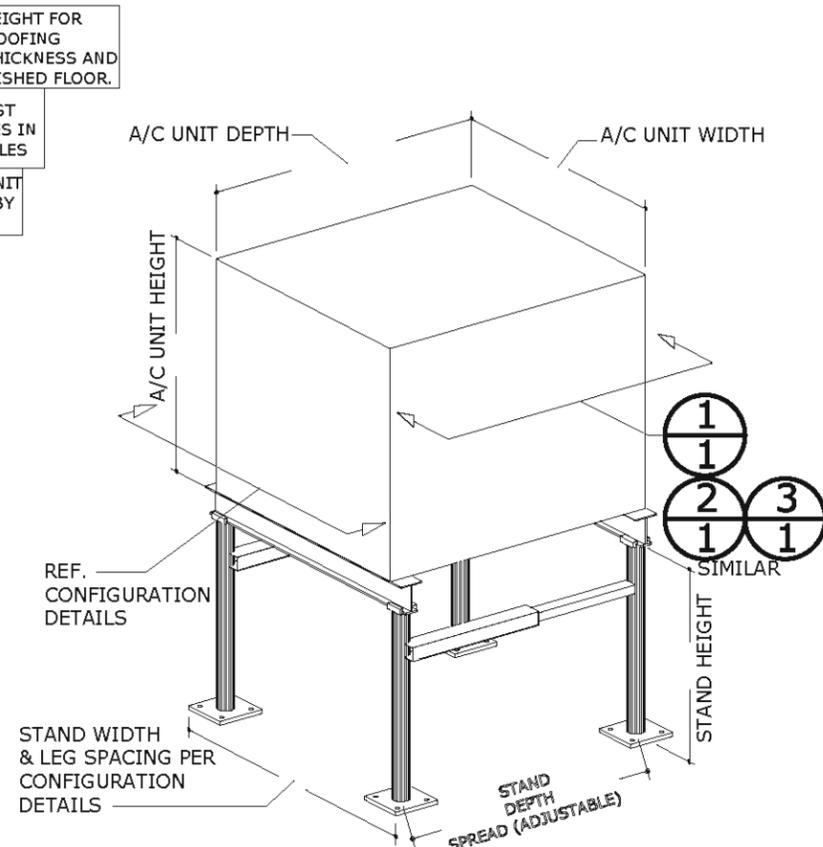
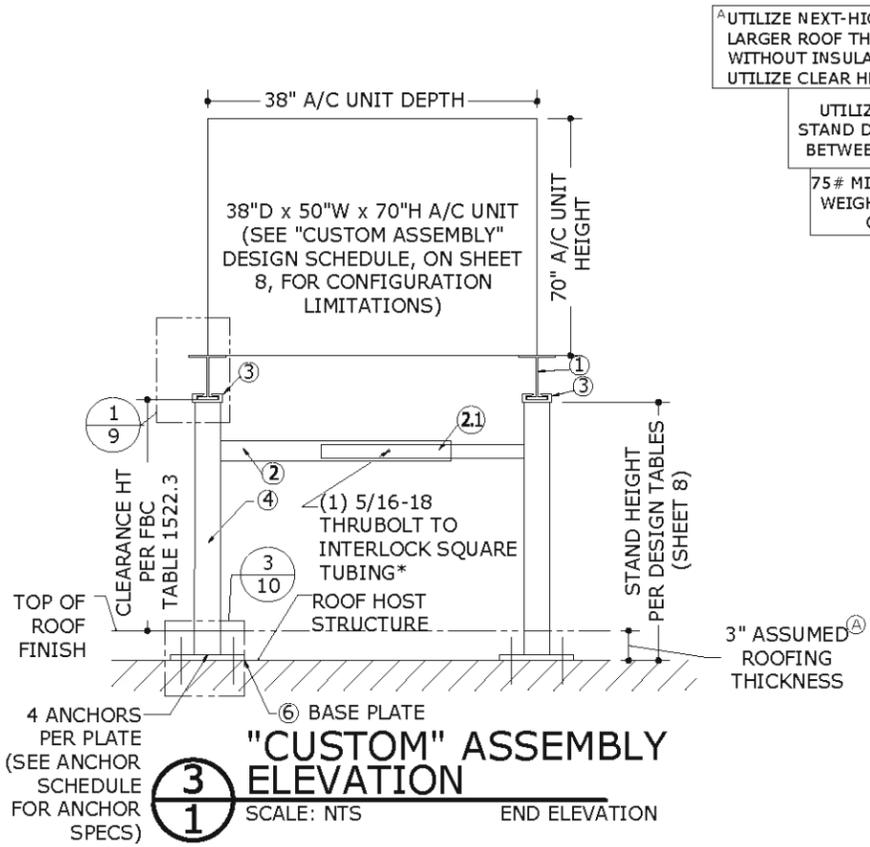
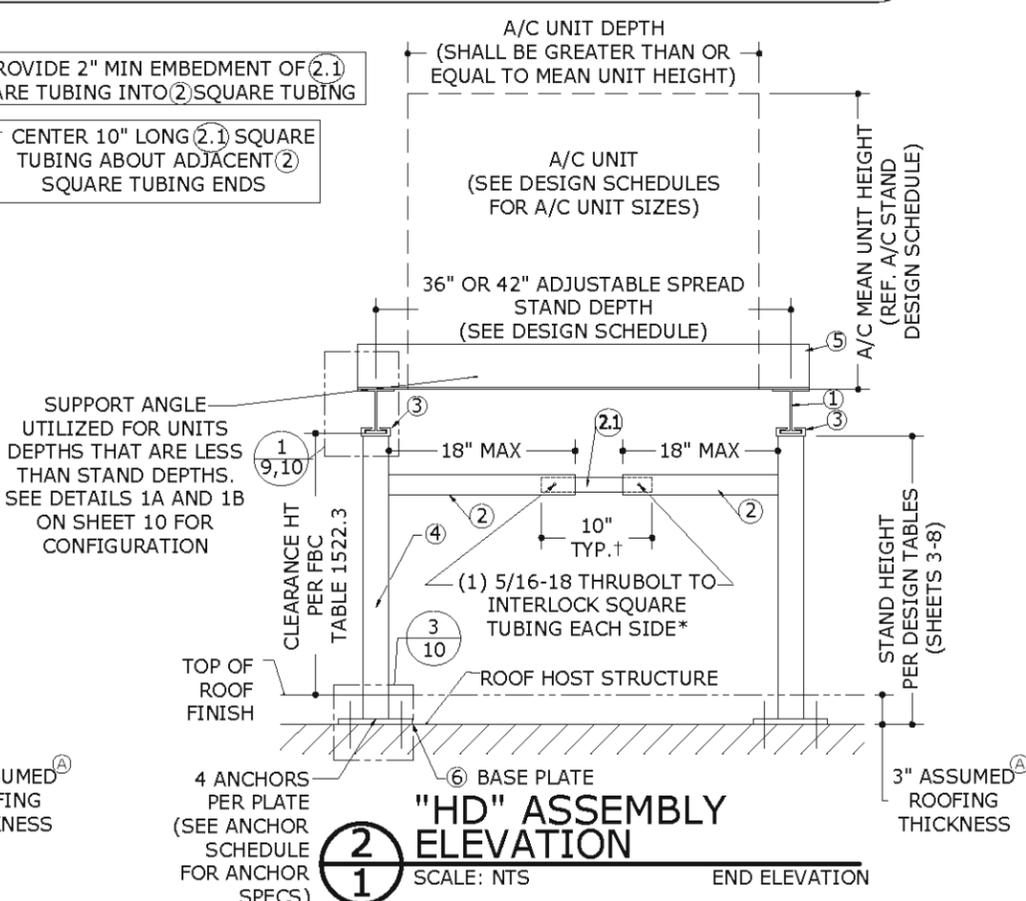
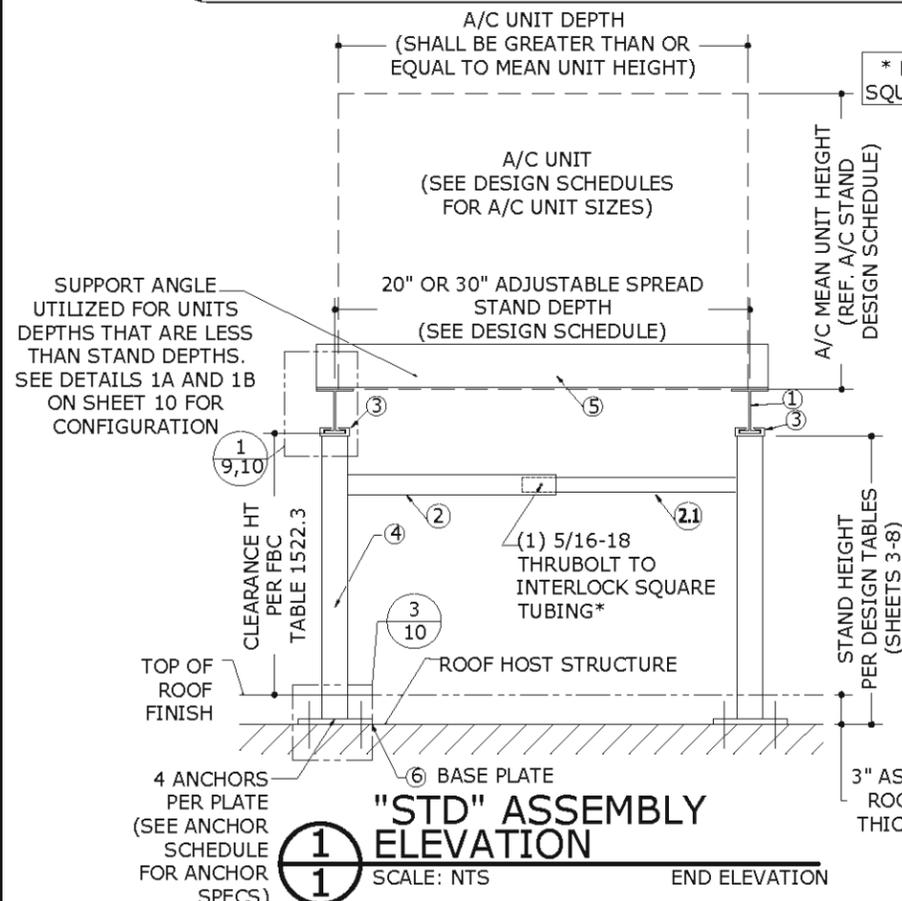


ALUMINUM STANDS FOR MECHANICAL UNITS



UTILIZE NEXT-HIGHEST STAND HEIGHT FOR LARGER ROOF THICKNESS. FOR ROOFING WITHOUT INSULATION OMIT 3\"/>

UTILIZE NEXT-SMALLEST STAND DEPTH FOR VALUES IN BETWEEN EXISTING TABLES
75# MIN./450 # MAX UNIT WEIGHT AS VERIFIED BY OTHERS, TYP.

MAXIMUM ALLOWABLE DESIGN PRESSURES:

AS NOTED IN DESIGN SCHEDULES

Digitally signed by Frank Bennardo
Date: 2020.08.11 20:13:05 -04'00'

DESIGN NOTES:

DESIGN PRESSURES CALCULATED FOR USE WITH THIS SYSTEM SHALL BE DETERMINED SEPARATELY ON A JOB-SPECIFIC BASIS IN ACCORDANCE WITH THE GOVERNING CODE USING ASD METHODOLOGY. SITE-SPECIFIC PRESSURE REQUIREMENTS AS DETERMINED IN ACCORDANCE WITH ASCE 7 AND CHAPTER 16 OF THE FLORIDA BUILDING CODE SEVENTH EDITION (2020) SHALL BE LESS THAN OR EQUAL TO THE LATERAL AND UPLIFT DESIGN PRESSURE CAPACITY VALUES LISTED HEREIN FOR ANY ASSEMBLY AS SHOWN.

GENERAL NOTES

- THIS SYSTEM HAS BEEN DESIGNED AND SHALL BE FABRICATED IN ACCORDANCE WITH THE STRUCTURAL PROVISIONS OF THE FLORIDA BUILDING CODE SEVENTH EDITION (2020).
- MAXIMUM DIMENSIONS AND WEIGHT OF A/C UNIT SHALL CONFORM TO SPECIFICATIONS STATED HEREIN, MINIMUM 75LB OR MAXIMUM AS LISTED HEREIN.
- THE ARCHITECT/ENGINEER OF RECORD FOR THE PROJECT SUPERSTRUCTURE WITH WHICH THIS DESIGN IS USED SHALL BE RESPONSIBLE FOR THE INTEGRITY OF ALL SUPPORTING SURFACES TO THIS DESIGN WHICH SHALL BE COORDINATED BY THE PERMITTING CONTRACTOR.
- REACTION FORCES LISTED FOR USE WITH HOST STRUCTURE VERIFICATION ARE CALCULATED USING ASD METHODOLOGY. DESIGN PROFESSIONAL OF RECORD TO VERIFY APPLICABILITY AND/OR ADDITIONAL FACTORS FOR USE WITH HOST STRUCTURE VERIFICATION.
- ALL FASTENERS TO BE #10 OR GREATER SAE GRADE 5, UNLESS NOTED OTHERWISE, CADMIUM PLATED OR OTHERWISE CORROSION RESISTANT MATERIAL AND SHALL COMPLY WITH J.3.3, SPECIFICATIONS FOR ALUM. STRUCTURES -SECTION 1, THE ALUMINUM ASSOCIATION, INC., & APPLICABLE FEDERAL, STATE, AND LOCAL CODES. PROVIDE (5) PITCHES MIN PAST THREAD PLANE.
- ALL EXTRUDED MEMBERS SHALL BE ALUMINUM ALLOY TYPE 6061-T6 OR 6005-T5.
- ALL 22GA DEFORMED STEEL STRAPS USED FOR UNIT TIE-DOWNS SHALL BE ASTM A36 MIN. STEEL. FABRICATION OF STEEL STRAPS SHALL BE BY STRAP MANUFACTURER ONLY.
- ALL EXISTING CONCRETE SUBSTRATE SHALL HAVE MINIMUM f'c COMPRESSIVE STRENGTH OF 3000 PSI AS VERIFIED BY OTHERS.
- ALUMINUM WELDING SHALL BE PERFORMED IN ACCORDANCE WITH FBC SECTION 2003 WITH WELD FILLER ALLOYS MEETING ANSI/AWS A5 STANDARDS TO ACHIEVE ULTIMATE DESIGN STRENGTH IN ACCORDANCE WITH THE ALUMINUM DESIGN MANUAL. SUGGESTED WELD FILLER: 5356 ELECTRODES. ALL ALUMINUM CONSTRUCTION SHALL BE IN CONFORMANCE WITH THE TOLERANCES, QUALITY AND METHODS OF CONSTRUCTION AS SET FORTH IN FBC SECTION 2003 AND THE AMERICAN WELDING SOCIETY'S STRUCTURAL WELDING CODE-ALUMINUM (D1). MINIMUM WELD IS 1/8\"/>
- THE CONTRACTOR IS RESPONSIBLE TO INSULATE MEMBERS FROM DISSIMILAR MATERIALS TO PREVENT ELECTROLYSIS.
- ELECTRICAL GROUND, WHEN REQUIRED, TO BE DESIGNED & INSTALLED BY OTHERS. ALL MECHANICAL SPECIFICATIONS (CLEAR SPACE, TONNAGE, ETC.) SHALL BE AS PER MANUFACTURER RECOMMENDATIONS AND ARE THE EXPRESS RESPONSIBILITY OF THE CONTRACTOR.
- ENGINEER SEAL AFFIXED HERETO VALIDATES STRUCTURAL DESIGN AS SHOWN ONLY. USE OF THIS SPECIFICATION BY CONTRACTOR, et. al. INDEMNIFIES & SAVES HARMLESS THIS ENGINEER FOR ALL COST & DAMAGES INCLUDING LEGAL FEES & APPELLATE FEES RESULTING FROM MATERIAL FABRICATION, SYSTEM ERECTION, CONSTRUCTION PRACTICES BEYOND THAT WHICH IS CALLED FOR BY LOCAL, STATE, & FEDERAL CODES & FROM DEVIATIONS OF THIS PLAN.
- THE SYSTEM DETAILED HEREIN IS GENERIC AND DOES NOT PROVIDE INFORMATION FOR A SPECIFIC SITE. FOR SITE CONDITIONS DIFFERENT FROM THE CONDITIONS DETAILED HEREIN, A LICENSED ENGINEER OR REGISTERED ARCHITECT SHALL PREPARE SITE SPECIFIC DOCUMENTS FOR USE IN CONJUNCTION WITH THIS DOCUMENT.
- EXCEPT AS EXPRESSLY PROVIDED HEREIN, NO ADDITIONAL CERTIFICATIONS OR AFFIRMATIONS ARE INTENDED.
- AC STANDS SHALL LABELLED PER MIAMI-DADE REQUIREMENTS FOR NON-MANDATORY PRODUCT APPROVALS IN ACCORDANCE WITH THE FLORIDA BUILDING CODE.

FRANK BENNARDO, PE
PE#0046549 CA#9885



ENGINEERING EXPRESS
CORPORATE OFFICE:
160 SW 12th AVE, SUITE 106
DEERFIELD BEACH, FL 33442
(954) 354-0660 | (866) 396-9999
TEAM@ENGINEERINGEXPRESS.COM
ENGINEERINGEXPRESS.COM

MIAMI TECH, INC
3611 NW 74TH STREET
MIAMI, FL 33147
PHONE: (305) 693-7054 FAX: (305) 693-6125
ALUMINUM A/C STAND
FLORIDA STATEWIDE APPROVAL
FL#24546.1

DRWN	CHKD	DATE
KL	KL	01/10/07
KL	KL	05/03/07
TSB	TSB	09/30/08
CSL	CSL	05/10/12
TSB	TSB	08/16/12
CSL	CSL	07/07/15
RWN	RWN	05/07/16
RWN	RWN	11/01/17
RWN	RWN	6/08/20

REMARKS
INIT ISSUE
REV. TELESCOPIC BOLTS
UPDATE PER 07 FBC
REV. PER COMMENTS
FBC UPDATE
REV. PER MD COMMENTS
REV. 2017 FBC 6TH
REV. 2020 FBC 7TH

COPYRIGHT ENGINEERING EXPRESS

20-26315

SCALE: NTS
PAGE DESCRIPTION:
COVER SHEET

VISIT ECALC.IO/26315

FOR SITE SPECIFIC DEVIATIONS & MORE INFORMATION ABOUT THIS DOCUMENT OR SCAN THIS QR CODE

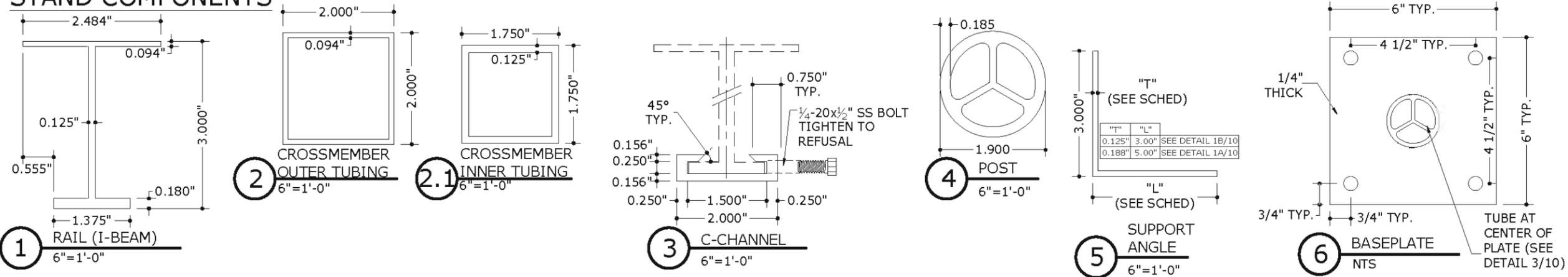


VISIT ENGINEERINGEXPRESS.COM/MIAMITECH FOR ADDITIONAL PLANS, REPORTS & RESOURCES

08/10/2020 - 9:30pm nckn C:\Users\nckn\Engineering\Express\Production\Documents\Projects\20-26315 - FL24546 - Heavy Duty Alum Equip Stand w Adjustable Cross W/P/2020\FBC\20-26315.dwg (FSA).dwg

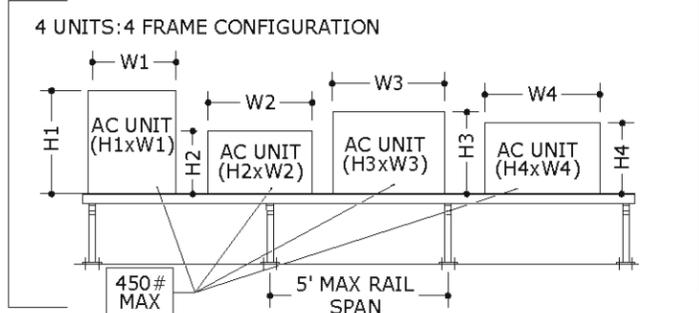
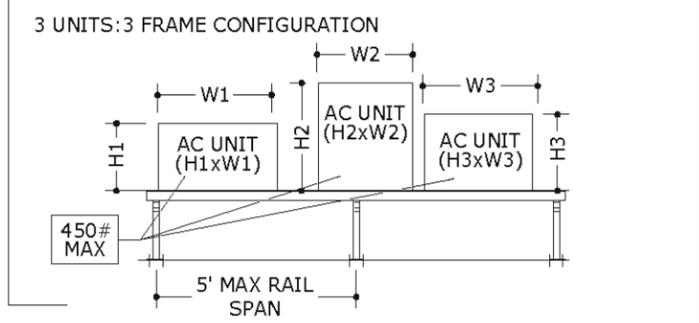
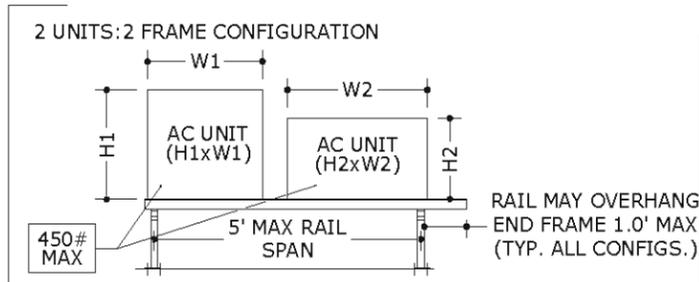
C:\Users\mckn\Engineering\Express\Production - Documents\Projects\20-26315 - FL24546 - Heavy Duty Alum Equip Stand w Adjustable Cross WP\2020\FBC\20-26315d AC Stand (FSA).dwg 08/10/2020 - 9:40pm mckn

STAND COMPONENTS

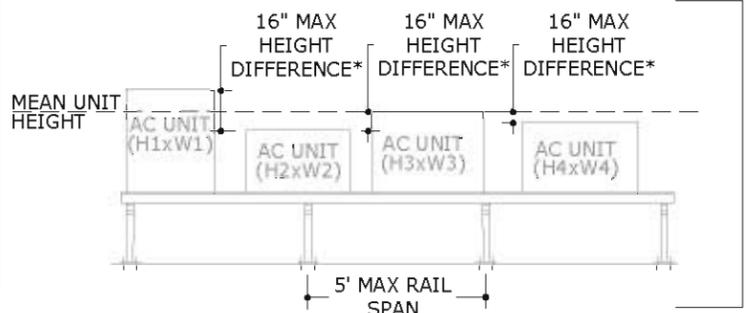
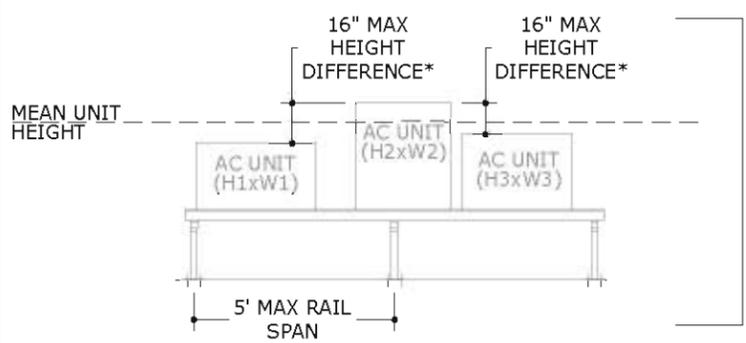
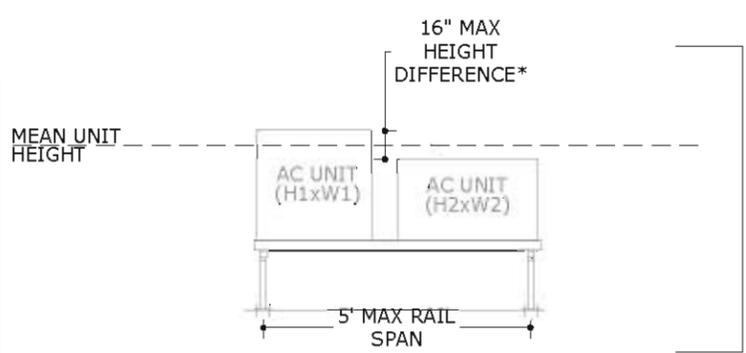


MEAN UNIT HEIGHT & MAX FACE AREA CALCULATION DIRECTIVE: THIS DIRECTIVE SHALL BE USED TO CALCULATE THE MEAN UNIT HEIGHT & MAXIMUM FACE AREA OF ANY MULTIPLE UNIT CONFIGURATION.

EXAMPLE CONFIGURATIONS:



NOTE: THE NUMBER OF UNITS PER STAND CONFIGURATION MAY BE UNLIMITED PROVIDED THAT MULTIPLE UNITS CONFORM TO THE MEAN UNIT HEIGHT & MAXIMUM UNIT FACE AREA RESTRICTIONS UTILIZED IN THE DESIGN SCHEDULES.



*MAXIMUM ALLOWABLE HEIGHT DIFFERENCE BETWEEN ANY UNITS IN A MULTIPLE UNIT CONFIGURATION IS RESTRICTED TO 16" MAX.

FORMULAS USED FOR DETERMINING MEAN UNIT HEIGHT & MAXIMUM UNIT FACE AREA:

1. CALCULATE THE MEAN UNIT HEIGHT BY THE FOLLOWING EQUATION:

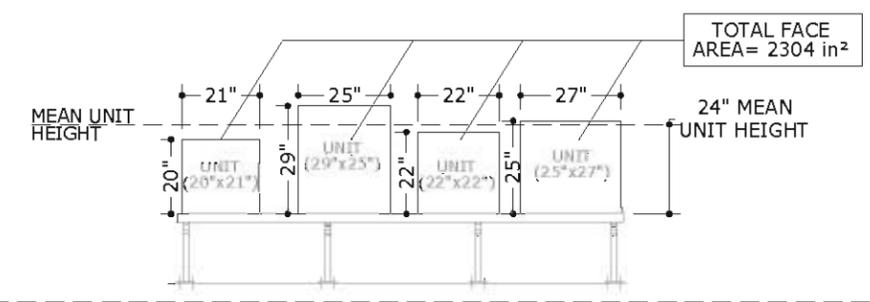
- TWO UNITS: $\frac{H1+H2}{2}$
- THREE UNITS: $\frac{H1+H2+H3}{3}$
- FOUR UNITS: $\frac{H1+H2+H3+H4}{4}$
- "n" UNITS: $\frac{H1+H2+H3+...+Hn}{n}$

2. CALCULATE THE MAXIMUM UNIT FACE AREA BY THE FOLLOWING EQUATION:

- TWO UNITS: $(H1xW1)+(H2xW2)$
- THREE UNITS: $(H1xW1)+(H2xW2)+(H3xW3)$
- FOUR UNITS: $(H1xW1)+(H2xW2)+(H3xW3)+(H4xW4)$
- "n" UNITS: $(H1xW1)+...+(HnxWn)$

EXAMPLE SCENARIO:

- CONSIDER A FOUR UNIT CONFIGURATION WITH THE DIMENSIONS AS SHOWN BELOW.
- CALCULATE THE MEAN UNIT HEIGHT.
 - FOUR UNITS: $\frac{H1+H2+H3+H4}{4} = \frac{20"+29"+22"+25"}{4} = 24"$ MEAN UNIT HEIGHT
- CALCULATE THE MAXIMUM FACE AREA.
 - FOUR UNITS: $(H1xW1)+(H2xW2)+(H3xW3)+(H4xW4) = (20"x21")+(29"x25")+(22"x22")+(25"x27") = 2304 \text{ in}^2$



FRANK BERNARDO, PE
PE#0046549 CA#9885



ENGINEERING EXPRESS
CORPORATE OFFICE:
160 SW 12th AVE, SUITE 106
DEERFIELD BEACH, FL 33442
(954) 354-0660 | (866) 366-9999
TEAM@ENGINEERINGEXPRESS.COM
ENGINEERINGEXPRESS.COM

MIAMI TECH, INC
3611 NW 74TH STREET
MIAMI, FL 33147
PHONE: (305) 693-7054 FAX: (305) 693-6125
ALUMINUM A/C STAND
FLORIDA STATEWIDE APPROVAL
FL#24546.1

REMARKS	DRWN	CHKD	DATE
INIT ISSUE	KL	CL	01/10/07
REV. TELESCOPIC BOLTS	KL	CL	05/03/07
UPDATE PER 07 FBC	TSB	CL	09/30/08
UPDATE PER 10 FBC	CSL	TSB	05/10/12
REV. PER COMMENTS	CSL	TSB	08/16/12
FBC UPDATE	RWN	CSL	07/07/15
REV PER MD COMMENTS	RWN	FLB	05/07/16
REV-2017 FBC 6TH	RWN	FLB	11/01/17
REV-2020 FBC 7TH	CB	RWN	6/08/20

COPYRIGHT ENGINEERING EXPRESS

20-26315

SCALE: NTS

PAGE DESCRIPTION: COVER SHEET

"STD" STAND DESIGN SCHEDULES & STAND DIRECTIVE EXAMPLE

20" STAND DEPTH MINIMUM: MAX FACE AREA (3600in² - 12600in²), FRAME QUANTITY (5-8 FRAMES)

STAND CLEAR HEIGHT	MAX MEAN UNIT HEIGHT	MAX FACE AREA	UNIT TO FRAME RATIO																LOAD TRANSFER INFORMATION FOR USE WITH HOST STRUCTURE VERIFICATION ONLY													
			MAX FACE AREA : 8 FRAMES				MAX FACE AREA : 7 FRAMES				MAX FACE AREA : 6 FRAMES				MAX FACE AREA : 5 FRAMES				MAX. BASE MOMENT (M)	MAX. BASE SHEAR (V)	MAX. BASE UPLIFT (T)	MAX. BASE GRAVITY (C)										
			ANCHOR TYPE: 1 OR 4		ANCHORS TYPE: 2 OR 3		ANCHOR TYPE: 1 OR 4		ANCHORS TYPE: 2 OR 3		ANCHOR TYPE: 1 OR 4		ANCHORS TYPE: 2 OR 3		ANCHOR TYPE: 1 OR 4		ANCHORS TYPE: 2 OR 3															
MAX ALLOWABLE LATERAL LOAD	MAX ALLOWABLE UPLIFT	MAX ALLOWABLE LATERAL LOAD	MAX ALLOWABLE UPLIFT	MAX ALLOWABLE LATERAL LOAD	MAX ALLOWABLE UPLIFT	MAX ALLOWABLE LATERAL LOAD	MAX ALLOWABLE UPLIFT	MAX ALLOWABLE LATERAL LOAD	MAX ALLOWABLE UPLIFT	MAX ALLOWABLE LATERAL LOAD	MAX ALLOWABLE UPLIFT	MAX ALLOWABLE LATERAL LOAD	MAX ALLOWABLE UPLIFT	MAX ALLOWABLE LATERAL LOAD	MAX ALLOWABLE UPLIFT	MAX ALLOWABLE LATERAL LOAD	MAX ALLOWABLE UPLIFT															
18"	30"	3600 in ²	189.9 PSF	149.9 PSF	189.9 PSF	149.9 PSF	189.9 PSF	149.9 PSF	189.9 PSF	149.9 PSF	189.9 PSF	149.9 PSF	189.9 PSF	149.9 PSF	189.9 PSF	149.9 PSF	189.9 PSF	149.9 PSF	178.7 PSF	141.1 PSF	166.0 PSF	131.1 PSF	148.9 PSF	117.5 PSF	138.5 PSF	109.3 PSF	360.40 LB-FT	409.6 LB	1691.0 LB	1374.4 LB		
24"	30"	3600 in ²	184.6 PSF	145.7 PSF	184.6 PSF	145.7 PSF	184.6 PSF	145.7 PSF	184.6 PSF	145.7 PSF	184.6 PSF	145.7 PSF	184.6 PSF	145.7 PSF	184.6 PSF	145.7 PSF	184.6 PSF	145.7 PSF	184.6 PSF	145.7 PSF	184.6 PSF	145.7 PSF	184.6 PSF	145.7 PSF	184.6 PSF	145.7 PSF	184.6 PSF	145.7 PSF	184.6 PSF	145.7 PSF	184.6 PSF	145.7 PSF
30"	30"	3600 in ²	150.9 PSF	119.1 PSF	150.9 PSF	119.1 PSF	150.9 PSF	119.1 PSF	150.9 PSF	119.1 PSF	150.9 PSF	119.1 PSF	150.9 PSF	119.1 PSF	150.9 PSF	119.1 PSF	150.9 PSF	119.1 PSF	150.9 PSF	119.1 PSF	150.9 PSF	119.1 PSF	150.9 PSF	119.1 PSF	150.9 PSF	119.1 PSF	150.9 PSF	119.1 PSF	150.9 PSF	119.1 PSF	150.9 PSF	119.1 PSF
18"	40"	6000 in ²	99.2 PSF	78.3 PSF	99.2 PSF	78.3 PSF	99.2 PSF	78.3 PSF	99.2 PSF	78.3 PSF	99.2 PSF	78.3 PSF	99.2 PSF	78.3 PSF	99.2 PSF	78.3 PSF	99.2 PSF	78.3 PSF	99.2 PSF	78.3 PSF	99.2 PSF	78.3 PSF	99.2 PSF	78.3 PSF	99.2 PSF	78.3 PSF	99.2 PSF	78.3 PSF	99.2 PSF	78.3 PSF	99.2 PSF	78.3 PSF
24"	40"	6000 in ²	99.2 PSF	78.3 PSF	99.2 PSF	78.3 PSF	99.2 PSF	78.3 PSF	99.2 PSF	78.3 PSF	99.2 PSF	78.3 PSF	99.2 PSF	78.3 PSF	99.2 PSF	78.3 PSF	99.2 PSF	78.3 PSF	99.2 PSF	78.3 PSF	99.2 PSF	78.3 PSF	99.2 PSF	78.3 PSF	99.2 PSF	78.3 PSF	99.2 PSF	78.3 PSF	99.2 PSF	78.3 PSF	99.2 PSF	78.3 PSF
30"	40"	6000 in ²	92.6 PSF	73.1 PSF	92.6 PSF	73.1 PSF	92.6 PSF	73.1 PSF	92.6 PSF	73.1 PSF	92.6 PSF	73.1 PSF	92.6 PSF	73.1 PSF	92.6 PSF	73.1 PSF	92.6 PSF	73.1 PSF	92.6 PSF	73.1 PSF	92.6 PSF	73.1 PSF	92.6 PSF	73.1 PSF	92.6 PSF	73.1 PSF	92.6 PSF	73.1 PSF	92.6 PSF	73.1 PSF	92.6 PSF	73.1 PSF
18"	50"	9000 in ²	58 (85) PSF	67.1 PSF	58 (85) PSF	67.1 PSF	58 (85) PSF	67.1 PSF	58 (85) PSF	67.1 PSF	58 (85) PSF	67.1 PSF	58 (85) PSF	67.1 PSF	58 (85) PSF	67.1 PSF	58 (85) PSF	67.1 PSF	58 (85) PSF	67.1 PSF	58 (85) PSF	67.1 PSF	58 (85) PSF	67.1 PSF	58 (85) PSF	67.1 PSF	58 (85) PSF	67.1 PSF	58 (85) PSF	67.1 PSF	58 (85) PSF	67.1 PSF
24"	50"	9000 in ²	58 (76.6) PSF	60.5 PSF	58 (74.3) PSF	58.6 PSF	58 (67) PSF	52.9 PSF	58 (65) PSF	51.3 PSF	57.4 PSF	45.3 PSF	55.7 PSF	44.0 PSF	47.9 PSF	37.8 PSF	46.5 PSF	36.7 PSF	36.0 PSF	36.0 PSF	36.0 PSF	36.0 PSF	36.0 PSF	36.0 PSF	36.0 PSF	36.0 PSF	36.0 PSF	36.0 PSF	36.0 PSF	36.0 PSF	36.0 PSF	36.0 PSF
30"	50"	9000 in ²	58 (62.6) PSF	49.4 PSF	58 (62.6) PSF	49.4 PSF	58 (62.6) PSF	49.4 PSF	58 (62.6) PSF	49.4 PSF	58 (62.6) PSF	49.4 PSF	58 (62.6) PSF	49.4 PSF	58 (62.6) PSF	49.4 PSF	58 (62.6) PSF	49.4 PSF	58 (62.6) PSF	49.4 PSF	58 (62.6) PSF	49.4 PSF	58 (62.6) PSF	49.4 PSF	58 (62.6) PSF	49.4 PSF	58 (62.6) PSF	49.4 PSF	58 (62.6) PSF	49.4 PSF	58 (62.6) PSF	49.4 PSF
18"	60"	12600 in ²	36.8 (57) PSF	45.0 PSF	36.8 (57) PSF	45.0 PSF	36.8 (57) PSF	45.0 PSF	36.8 (57) PSF	45.0 PSF	36.8 (57) PSF	45.0 PSF	36.8 (57) PSF	45.0 PSF	36.8 (57) PSF	45.0 PSF	36.8 (57) PSF	45.0 PSF	36.8 (57) PSF	45.0 PSF	36.8 (57) PSF	45.0 PSF	36.8 (57) PSF	45.0 PSF	36.8 (57) PSF	45.0 PSF	36.8 (57) PSF	45.0 PSF	36.8 (57) PSF	45.0 PSF	36.8 (57) PSF	45.0 PSF
24"	60"	12600 in ²	36.8 (55.2) PSF	43.6 PSF	36.8 (51.9) PSF	40.9 PSF	36.8 (48.3) PSF	38.1 PSF	36.8 (45.4) PSF	35.8 PSF	36.8 (41.4) PSF	32.7 PSF	36.8 (38.9) PSF	30.7 PSF	34.5 PSF	27.2 PSF	32.5 PSF	25.6 PSF	36.0 PSF	36.0 PSF	36.0 PSF	36.0 PSF	36.0 PSF	36.0 PSF	36.0 PSF	36.0 PSF	36.0 PSF	36.0 PSF	36.0 PSF	36.0 PSF	36.0 PSF	36.0 PSF
30"	60"	12600 in ²	36.8 (45.1) PSF	35.6 PSF	36.8 (45.1) PSF	35.6 PSF	36.8 (45.1) PSF	35.6 PSF	36.8 (45.1) PSF	35.6 PSF	36.8 (45.1) PSF	35.6 PSF	36.8 (45.1) PSF	35.6 PSF	36.8 (45.1) PSF	35.6 PSF	36.8 (45.1) PSF	35.6 PSF	36.8 (45.1) PSF	35.6 PSF	36.8 (45.1) PSF	35.6 PSF	36.8 (45.1) PSF	35.6 PSF	36.8 (45.1) PSF	35.6 PSF	36.8 (45.1) PSF	35.6 PSF	36.8 (45.1) PSF	35.6 PSF	36.8 (45.1) PSF	35.6 PSF

20" STAND DEPTH MINIMUM: MAX FACE AREA (2880in² - 10080in²), FRAME QUANTITY (4-7 FRAMES)

STAND CLEAR HEIGHT	MAX MEAN UNIT HEIGHT	MAX FACE AREA	UNIT TO FRAME RATIO																LOAD TRANSFER INFORMATION FOR USE WITH HOST STRUCTURE VERIFICATION ONLY													
			MAX FACE AREA : 7 FRAMES				MAX FACE AREA : 6 FRAMES				MAX FACE AREA : 5 FRAMES				MAX FACE AREA : 4 FRAMES				MAX. BASE MOMENT (M)	MAX. BASE SHEAR (V)	MAX. BASE UPLIFT (T)	MAX. BASE GRAVITY (C)										
			ANCHOR TYPE: 1 OR 4		ANCHORS TYPE: 2 OR 3		ANCHOR TYPE: 1 OR 4		ANCHORS TYPE: 2 OR 3		ANCHOR TYPE: 1 OR 4		ANCHORS TYPE: 2 OR 3		ANCHOR TYPE: 1 OR 4		ANCHORS TYPE: 2 OR 3															
MAX ALLOWABLE LATERAL LOAD	MAX ALLOWABLE UPLIFT	MAX ALLOWABLE LATERAL LOAD	MAX ALLOWABLE UPLIFT	MAX ALLOWABLE LATERAL LOAD	MAX ALLOWABLE UPLIFT	MAX ALLOWABLE LATERAL LOAD	MAX ALLOWABLE UPLIFT	MAX ALLOWABLE LATERAL LOAD	MAX ALLOWABLE UPLIFT	MAX ALLOWABLE LATERAL LOAD	MAX ALLOWABLE UPLIFT	MAX ALLOWABLE LATERAL LOAD	MAX ALLOWABLE UPLIFT	MAX ALLOWABLE LATERAL LOAD	MAX ALLOWABLE UPLIFT	MAX ALLOWABLE LATERAL LOAD	MAX ALLOWABLE UPLIFT															
18"	30"	2880 in ²	189.9 PSF	149.9 PSF	189.9 PSF	149.9 PSF	189.9 PSF	149.9 PSF	189.9 PSF	149.9 PSF	189.9 PSF	149.9 PSF	189.9 PSF	149.9 PSF	189.9 PSF	149.9 PSF	189.9 PSF	149.9 PSF	186.1 PSF	146.9 PSF	172.9 PSF	136.5 PSF	148.9 PSF	117.5 PSF	138.5 PSF	109.3 PSF	360.40 LB-FT	409.6 LB	1691.7 LB	1374.4 LB		
24"	30"	2880 in ²	189.9 PSF	149.9 PSF	189.9 PSF	149.9 PSF	189.9 PSF	149.9 PSF	189.9 PSF	149.9 PSF	189.9 PSF	149.9 PSF	189.9 PSF	149.9 PSF	189.9 PSF	149.9 PSF	189.9 PSF	149.9 PSF	189.9 PSF	149.9 PSF	189.9 PSF	149.9 PSF	189.9 PSF	149.9 PSF	189.9 PSF	149.9 PSF	189.9 PSF	149.9 PSF	189.9 PSF	149.9 PSF	189.9 PSF	149.9 PSF
30"	30"	2880 in ²	165.0 PSF	130.3 PSF	165.0 PSF	130.3 PSF	165.0 PSF	130.3 PSF	165.0 PSF	130.3 PSF	165.0 PSF	130.3 PSF	165.0 PSF	130.3 PSF	165.0 PSF	130.3 PSF	165.0 PSF	130.3 PSF	165.0 PSF	130.3 PSF	165.0 PSF	130.3 PSF	165.0 PSF	130.3 PSF	165.0 PSF	130.3 PSF	165.0 PSF	130.3 PSF	165.0 PSF	130.3 PSF	165.0 PSF	130.3 PSF
18"	40"	4800 in ²	99.2 PSF	78.3 PSF	99.2 PSF	78.3 PSF	99.2 PSF	78.3 PSF	99.2 PSF	78.3 PSF	99.2 PSF	78.3 PSF	99.2 PSF	78.3 PSF	99.2 PSF	78.3 PSF	99.2 PSF	78.3 PSF	99.2 PSF	78.3 PSF	99.2 PSF	78.3 PSF	99.2 PSF	78.3 PSF	99.2 PSF	78.3 PSF	99.2 PSF	78.3 PSF	99.2 PSF	78.3 PSF	99.2 PSF	78.3 PSF
24"	40"	4800 in ²	99.2 PSF	78.3 PSF	99.2 PSF	78.3 PSF	99.2 PSF	78.3 PSF	99.2 PSF	78.3 PSF	99.2 PSF	78.3 PSF	99.2 PSF	78.3 PSF	99.2 PSF	78.3 PSF	99.2 PSF	78.3 PSF	99.2 PSF	78.3 PSF	99.2 PSF	78.3 PSF	99.2 PSF	78.3 PSF	99.2 PSF	78.3 PSF	99.2 PSF	78.3 PSF	99.2 PSF	78.3 PSF	99.2 PSF	78.3 PSF
30"	40"	4800 in ²	99.2 PSF	78.3 PSF	99.2 PSF	78.3 PSF	99.2 PSF	78.3 PSF	99.2 PSF	78.3 PSF	99.2 PSF	78.3 PSF	99.2 PSF	78.3 PSF	99.2 PSF	78.3 PSF	99.2 PSF	78.3 PSF	99.2 PSF	78.3 PSF	99.2 PSF	78.3 PSF	99.2 PSF	78.3 PSF	99.2 PSF	78.3 PSF	99.2 PSF	78.3 PSF	99.2 PSF	78.3 PSF	99.2 PSF	78.3 PSF
18"	50"	7200 in ²	58 (85) PSF	67.1 PSF	58 (85) PSF	67.1 PSF	58 (85) PSF	67.1 PSF	58 (85) PSF	67.1 PSF	58 (85) PSF	67.1 PSF	58 (85) PSF	67.1 PSF	58 (85) PSF	67.1 PSF	58 (85) PSF	67.1 PSF	58 (85) PSF	67.1 PSF	58 (85) PSF	67.1 PSF	58 (85) PSF	67.1 PSF	58 (85) PSF	67.1 PSF	58 (85) PSF	67.1 PSF	58 (85) PSF	67.1 PSF	58 (85) PSF	67.1 PSF
24"	50"	7200 in ²	58 (83.8) PSF	66.1 PSF	58 (81.2) PSF	64.1 PSF	58 (71.8) PSF	56.7 PSF	58 (69.6) PSF	55.0 PSF	58 (59.8) PSF	47.2 PSF	58 (58.1) PSF	45.8 PSF	47.9 PSF	37.8 PSF	46.5 PSF	36.7 PSF	36.0 PSF	36.0 PSF	36.0 PSF	36.0 PSF	36.0 PSF	36.0 PSF	36.0 PSF	36.0 PSF	36.0 PSF	36.0 PSF	36.0 PSF	36.0 PSF	36.0 PSF	36.0 PSF
30"	50"	7200 in ²	58 (68.5) PSF	54.0 PSF	58 (68.5) PSF	54.0 PSF	58 (68.5) PSF	54.0 PSF	58 (68.5) PSF	54.0 PSF	58 (68.5) PSF	54.0 PSF	58 (68.5) PSF	54.0 PSF	58 (68.5) PSF	54.0 PSF	58 (68.5) PSF	54.0 PSF	58 (68.5) PSF	54.0 PSF	58 (68.5) PSF	54.0 PSF	58 (68.5) PSF	54.0 PSF	58 (68.5) PSF	54.0 PSF	58 (68.5) PSF	54.0 PSF	58 (68.5) PSF	54.0 PSF	58 (68.5) PSF	54.0 PSF
18"	60"	10080 in ²	36.8 (57) PSF	45.0 PSF	36.8 (57) PSF	45.0 PSF	36.8 (57) PSF	45.0 PSF	36.8 (57) PSF	45.0 PSF	36.8 (57) PSF	45.0 PSF	36.8 (57) PSF	45.0 PSF	36.8 (57) PSF	45.0 PSF	36.8 (57) PSF	45.0 PSF	36.8 (57) PSF	45.0 PSF	36.8 (57) PSF	45.0 PSF	36.8 (57) PSF	45.0 PSF	36.8 (57) PSF	45.0 PSF	36.8 (57) PSF	45.0 PSF	36.8 (57) PSF	45.0 PSF	36.8 (57) PSF	45.0 PSF
24"	60"	10080 in ²	36.8 (57) PSF	45.0 PSF	36.8 (56.7) PSF	44.8 PSF	36.8 (51.8) PSF	40.9 PSF	36.8 (48.6) PSF	38.4 PSF	36.8 (43.1) PSF	34.0 PSF	36.8 (40.6) PSF	32.0 PSF	34.5 PSF	27.2 PSF	32.5 PSF	25.6 PSF	36.0 PSF	36.0 PSF	36.0 PSF	36.0 PSF	36.0 PSF	36.0 PSF	36.0 PSF	36.0 PSF	36.0 PSF	36.0 PSF	36.0 PSF	36.0 PSF	36.0 PSF	36.0 PSF
30"	60"	10080 in ²	36.8 (49.4) PSF	39.0 PSF	36.8 (49.4) PSF	39.0 PSF	36.8 (49.4) PSF	39.0 PSF	36.8 (49.4) PSF	39.0 PSF	36.8 (49.4) PSF	39.0 PSF	36.8 (49.4) PSF	39.0 PSF	36.8 (49.4) PSF	39.0 PSF	36.8 (49.4) PSF	39.0 PSF	36.8 (49.4) PSF	39.0 PSF	36.8 (49.4) PSF	39.0 PSF	36.8 (49.4) PSF	39.0 PSF	36.8 (49.4) PSF	39.0 PSF	36.8 (49.4) PSF	39.0 PSF	36.8 (49.4) PSF	39.0 PSF	36.8 (49.4) PSF	39.0 PSF

STAND EXAMPLE

(THE FOLLOWING EXAMPLE ILLUSTRATES THE PROCEDURE USED TO DETERMINE THE MAXIMUM ALLOWABLE WIND PRESSURE & UPLIFT FOR ANY GIVEN MECHANICAL UNIT CONFIGURATION THAT CONFORMS TO THE DIMENSION RESTRICTIONS LISTED HEREIN. SEE SHEET 2 FOR MEAN UNIT HEIGHT & MAXIMUM FACE AREA CALCULATION DIRECTIVE. SEE SHEET 2 FOR COMPONENT SCHEDULE. SEE SHEET 9 FOR ANCHOR SCHEDULES.)

MECHANICAL UNIT/STAND CRITERIA:

CONSIDER THE INSTALLATION OF (4) MECHANICAL UNITS, (1)-20" TALL x 24" DEEP x 21" WIDE, (1)-29" TALL x 24" DEEP x 25" WIDE, (1)-22" TALL x 24" DEEP x 22" WIDE, (1)-25" TALL x 27" DEEP x 27" WIDE, [350 LB MAX WEIGHT] INSTALLED WITH THE FOLLOWING CRITERIA:

- NUMBER OF LEG FRAMES= (4) FRAMES
- STAND HEIGHT= 30" HEIGHT
- STAND DEPTH= 20" STAND DEPTH SPREAD
- HOST STRUCTURE TYPE= 3,000 PSI CONCRETE (AS VERIFIED BY OTHERS).

"STD" STAND DESIGN SCHEDULE CONTINUED

20" STAND DEPTH MINIMUM: MAX FACE AREA (2160in² - 7560in²), FRAME QUANTITY (3-6 FRAMES)

STAND CLEAR HEIGHT	MAX MEAN UNIT HEIGHT	MAX FACE AREA	UNIT TO FRAME RATIO																LOAD TRANSFER INFORMATION FOR USE WITH HOST STRUCTURE VERIFICATION ONLY			
			MAX FACE AREA : 6 FRAMES				MAX FACE AREA : 5 FRAMES				MAX FACE AREA : 4 FRAMES				MAX FACE AREA : 3 FRAMES				MAX. BASE MOMENT (M)	MAX. BASE SHEAR (V)	MAX. BASE UPLIFT (T)	MAX. BASE GRAVITY (C)
			ANCHOR TYPE: 1 OR 4		ANCHORS TYPE: 2 OR 3		ANCHOR TYPE: 1 OR 4		ANCHORS TYPE: 2 OR 3		ANCHOR TYPE: 1 OR 4		ANCHORS TYPE: 2 OR 3		ANCHOR TYPE: 1 OR 4		ANCHORS TYPE: 2 OR 3					
MAX ALLOWABLE LATERAL LOAD	MAX ALLOWABLE UPLIFT	MAX ALLOWABLE LATERAL LOAD	MAX ALLOWABLE UPLIFT	MAX ALLOWABLE LATERAL LOAD	MAX ALLOWABLE UPLIFT	MAX ALLOWABLE LATERAL LOAD	MAX ALLOWABLE UPLIFT	MAX ALLOWABLE LATERAL LOAD	MAX ALLOWABLE UPLIFT	MAX ALLOWABLE LATERAL LOAD	MAX ALLOWABLE UPLIFT	MAX ALLOWABLE LATERAL LOAD	MAX ALLOWABLE UPLIFT	MAX ALLOWABLE LATERAL LOAD	MAX ALLOWABLE UPLIFT	MAX ALLOWABLE LATERAL LOAD	MAX ALLOWABLE UPLIFT					
18"	30"	2160 in ²	189.9 PSF	149.9 PSF	189.9 PSF	149.9 PSF	189.9 PSF	149.9 PSF	189.9 PSF	149.9 PSF	189.9 PSF	149.9 PSF	189.9 PSF	149.9 PSF	189.9 PSF	149.9 PSF	189.9 PSF	149.9 PSF	360.40 LB-FT	409.6 LB	1687.2 LB	1374.4 LB
24"			189.9 PSF	149.9 PSF	189.9 PSF	149.9 PSF	189.9 PSF	149.9 PSF	189.9 PSF	149.9 PSF	189.9 PSF	149.9 PSF	189.9 PSF	149.9 PSF	189.9 PSF	149.9 PSF	189.9 PSF	149.9 PSF	360.40 LB-FT	317.3 LB	1498.1 LB	1285.6 LB
30"			188.6 PSF	148.9 PSF	188.6 PSF	148.9 PSF	157.2 PSF	124.1 PSF	157.2 PSF	124.1 PSF	125.7 PSF	99.2 PSF	125.7 PSF	99.2 PSF	94.3 PSF	74.4 PSF	94.3 PSF	74.4 PSF	360.40 LB-FT	259.3 LB	1382.7 LB	1231.1 LB
18"	40"	3600 in ²	99.2 PSF	78.3 PSF	99.2 PSF	78.3 PSF	99.2 PSF	78.3 PSF	99.2 PSF	78.3 PSF	99.2 PSF	78.3 PSF	99.2 PSF	78.3 PSF	99.2 PSF	78.3 PSF	99.2 PSF	78.3 PSF	360.40 LB-FT	409.6 LB	1882.5 LB	1588.8 LB
24"			99.2 PSF	78.3 PSF	99.2 PSF	78.3 PSF	99.2 PSF	78.3 PSF	99.2 PSF	78.3 PSF	99.2 PSF	78.3 PSF	99.2 PSF	78.3 PSF	99.2 PSF	78.3 PSF	99.2 PSF	78.3 PSF	360.40 LB-FT	317.3 LB	1649.4 LB	1451.6 LB
30"			99.2 PSF	78.3 PSF	99.2 PSF	78.3 PSF	96.5 PSF	76.1 PSF	96.5 PSF	76.1 PSF	77.2 PSF	60.9 PSF	77.2 PSF	60.9 PSF	57.9 PSF	45.7 PSF	57.9 PSF	45.7 PSF	360.40 LB-FT	259.3 LB	1504.0 LB	1366.8 LB
18"	50"	5400 in ²	58 (85) PSF	67.1 PSF	58 (85) PSF	67.1 PSF	58 (85) PSF	67.1 PSF	58 (85) PSF	67.1 PSF	58 (85) PSF	67.1 PSF	58 (85) PSF	67.1 PSF	58 (85) PSF	67.1 PSF	58 (85) PSF	67.1 PSF	360.40 LB-FT	409.6 LB	2087.0 LB	1799.5 LB
24"			58 (85) PSF	67.1 PSF	58 (85) PSF	67.1 PSF	58 (79.8) PSF	63.0 PSF	58 (77.4) PSF	61.1 PSF	58 (63.8) PSF	50.4 PSF	58 (61.9) PSF	48.9 PSF	47.9 PSF	37.8 PSF	46.5 PSF	36.7 PSF	360.40 LB-FT	317.3 LB	1806.8 LB	1614.9 LB
30"			58 (78.3) PSF	61.8 PSF	58 (78.3) PSF	61.8 PSF	58 (65.2) PSF	51.5 PSF	58 (65.2) PSF	51.5 PSF	52.2 PSF	41.2 PSF	52.2 PSF	41.2 PSF	39.1 PSF	30.9 PSF	39.1 PSF	30.9 PSF	360.40 LB-FT	259.3 LB	1632.2 LB	1500.3 LB
18"	60"	7560 in ²	36.8 (57) PSF	45.0 PSF	36.8 (57) PSF	45.0 PSF	36.8 (57) PSF	45.0 PSF	36.8 (57) PSF	45.0 PSF	36.8 (57) PSF	45.0 PSF	36.8 (57) PSF	45.0 PSF	36.8 (57) PSF	45.0 PSF	36.8 (57) PSF	45.0 PSF	360.40 LB-FT	409.6 LB	2282.1 LB	2008.4 LB
24"			36.8 (57) PSF	45.0 PSF	36.8 (57) PSF	45.0 PSF	36.8 (57) PSF	45.0 PSF	36.8 (57) PSF	45.0 PSF	36.8 (57) PSF	45.0 PSF	36.8 (57) PSF	45.0 PSF	36.8 (57) PSF	45.0 PSF	36.8 (57) PSF	45.0 PSF	360.40 LB-FT	317.3 LB	1958.9 LB	1776.8 LB
30"			36.8 (56.4) PSF	44.5 PSF	36.8 (56.4) PSF	44.5 PSF	36.8 (47) PSF	37.1 PSF	36.8 (47) PSF	37.1 PSF	36.8 (47) PSF	37.1 PSF	36.8 (47) PSF	37.1 PSF	36.8 (47) PSF	37.1 PSF	36.8 (47) PSF	37.1 PSF	360.40 LB-FT	259.3 LB	1759.3 LB	1632.5 LB

20" STAND DEPTH MINIMUM: MAX FACE AREA (1440in² - 5040in²), FRAME QUANTITY (2-5 FRAMES)

STAND CLEAR HEIGHT	MAX MEAN UNIT HEIGHT	MAX FACE AREA	UNIT TO FRAME RATIO												LOAD TRANSFER INFORMATION FOR USE WITH HOST STRUCTURE VERIFICATION ONLY							
			MAX FACE AREA : 5 FRAMES			MAX FACE AREA : 4 FRAMES			MAX FACE AREA : 3 FRAMES			MAX FACE AREA : 2 FRAMES			MAX. BASE MOMENT (M)	MAX. BASE SHEAR (V)	MAX. BASE UPLIFT (T)	MAX. BASE GRAVITY (C)				
			ANCHOR TYPE: 1 OR 4		ANCHORS TYPE: 2 OR 3	ANCHOR TYPE: 1 OR 4		ANCHORS TYPE: 2 OR 3	ANCHOR TYPE: 1 OR 4		ANCHORS TYPE: 2 OR 3	ANCHOR TYPE: 1 OR 4		ANCHORS TYPE: 2 OR 3								
MAX ALLOWABLE LATERAL LOAD	MAX ALLOWABLE UPLIFT	MAX ALLOWABLE LATERAL LOAD	MAX ALLOWABLE UPLIFT	MAX ALLOWABLE LATERAL LOAD	MAX ALLOWABLE UPLIFT	MAX ALLOWABLE LATERAL LOAD	MAX ALLOWABLE UPLIFT	MAX ALLOWABLE LATERAL LOAD	MAX ALLOWABLE UPLIFT	MAX ALLOWABLE LATERAL LOAD	MAX ALLOWABLE UPLIFT	MAX ALLOWABLE LATERAL LOAD	MAX ALLOWABLE UPLIFT									
18"	30"	1440 in ²	189.9 PSF	149.9 PSF	189.9 PSF	149.9 PSF	189.9 PSF	149.9 PSF	189.9 PSF	149.9 PSF	189.9 PSF	149.9 PSF	189.9 PSF	149.9 PSF	189.9 PSF	149.9 PSF	189.9 PSF	149.9 PSF	360.40 LB-FT	409.6 LB	1687.2 LB	1374.4 LB
24"			189.9 PSF	149.9 PSF	189.9 PSF	149.9 PSF	189.9 PSF	149.9 PSF	189.9 PSF	149.9 PSF	189.9 PSF	149.9 PSF	189.9 PSF	149.9 PSF	189.9 PSF	149.9 PSF	189.9 PSF	149.9 PSF	360.40 LB-FT	317.3 LB	1500.0 LB	1285.6 LB
30"			189.9 PSF	149.9 PSF	189.9 PSF	149.9 PSF	188.6 PSF	148.9 PSF	188.6 PSF	148.9 PSF	188.6 PSF	148.9 PSF	188.6 PSF	148.9 PSF	188.6 PSF	148.9 PSF	188.6 PSF	148.9 PSF	360.40 LB-FT	259.3 LB	1382.7 LB	1231.1 LB
18"	40"	2400 in ²	99.2 PSF	78.3 PSF	99.2 PSF	78.3 PSF	99.2 PSF	78.3 PSF	99.2 PSF	78.3 PSF	99.2 PSF	78.3 PSF	99.2 PSF	78.3 PSF	99.2 PSF	78.3 PSF	99.2 PSF	78.3 PSF	360.40 LB-FT	409.6 LB	1882.5 LB	1588.8 LB
24"			99.2 PSF	78.3 PSF	99.2 PSF	78.3 PSF	99.2 PSF	78.3 PSF	99.2 PSF	78.3 PSF	99.2 PSF	78.3 PSF	99.2 PSF	78.3 PSF	99.2 PSF	78.3 PSF	99.2 PSF	78.3 PSF	360.40 LB-FT	317.3 LB	1649.4 LB	1451.6 LB
30"			99.2 PSF	78.3 PSF	99.2 PSF	78.3 PSF	99.2 PSF	78.3 PSF	99.2 PSF	78.3 PSF	99.2 PSF	78.3 PSF	99.2 PSF	78.3 PSF	99.2 PSF	78.3 PSF	99.2 PSF	78.3 PSF	360.40 LB-FT	259.3 LB	1500.3 LB	1366.8 LB
18"	50"	3600 in ²	58 (85) PSF	67.1 PSF	58 (85) PSF	67.1 PSF	58 (85) PSF	67.1 PSF	58 (85) PSF	67.1 PSF	58 (85) PSF	67.1 PSF	58 (85) PSF	67.1 PSF	58 (85) PSF	67.1 PSF	58 (85) PSF	67.1 PSF	360.40 LB-FT	409.6 LB	2087.0 LB	1799.5 LB
24"			58 (85) PSF	67.1 PSF	58 (85) PSF	67.1 PSF	58 (85) PSF	67.1 PSF	58 (85) PSF	67.1 PSF	58 (85) PSF	67.1 PSF	58 (85) PSF	67.1 PSF	58 (85) PSF	67.1 PSF	58 (85) PSF	67.1 PSF	360.40 LB-FT	317.3 LB	1806.8 LB	1614.9 LB
30"			58 (85) PSF	67.1 PSF	58 (85) PSF	67.1 PSF	58 (85) PSF	67.1 PSF	58 (85) PSF	67.1 PSF	58 (85) PSF	67.1 PSF	58 (85) PSF	67.1 PSF	58 (85) PSF	67.1 PSF	58 (85) PSF	67.1 PSF	360.40 LB-FT	259.3 LB	1632.2 LB	1500.3 LB
18"	60"	5040 in ²	36.8 (57) PSF	45.0 PSF	36.8 (57) PSF	45.0 PSF	36.8 (57) PSF	45.0 PSF	36.8 (57) PSF	45.0 PSF	36.8 (57) PSF	45.0 PSF	36.8 (57) PSF	45.0 PSF	36.8 (57) PSF	45.0 PSF	36.8 (57) PSF	45.0 PSF	360.40 LB-FT	409.6 LB	2282.1 LB	2008.4 LB
24"			36.8 (57) PSF	45.0 PSF	36.8 (57) PSF	45.0 PSF	36.8 (57) PSF	45.0 PSF	36.8 (57) PSF	45.0 PSF	36.8 (57) PSF	45.0 PSF	36.8 (57) PSF	45.0 PSF	36.8 (57) PSF	45.0 PSF	36.8 (57) PSF	45.0 PSF	360.40 LB-FT	317.3 LB	1960.8 LB	1776.8 LB
30"			36.8 (57) PSF	45.0 PSF	36.8 (57) PSF	45.0 PSF	36.8 (56.4) PSF	44.5 PSF	36.8 (56.4) PSF	44.5 PSF	36.8 (56.4) PSF	44.5 PSF	36.8 (56.4) PSF	44.5 PSF	36.8 (56.4) PSF	44.5 PSF	36.8 (56.4) PSF	44.5 PSF	360.40 LB-FT	259.3 LB	1759.3 LB	1632.5 LB

20" STAND DEPTH MINIMUM: MAX FACE AREA (720in² - 2520in²), FRAME QUANTITY (2-3 FRAMES)

STAND CLEAR HEIGHT	MAX MEAN UNIT HEIGHT	MAX FACE AREA	UNIT TO FRAME RATIO								LOAD TRANSFER INFORMATION FOR USE WITH HOST STRUCTURE VERIFICATION ONLY			
			MAX FACE AREA : 3 FRAMES				MAX FACE AREA : 2 FRAMES				MAX. BASE MOMENT (M)	MAX. BASE SHEAR (V)	MAX. BASE UPLIFT (T)	MAX. BASE GRAVITY (C)
			ANCHOR TYPE: 1 OR 4		ANCHORS TYPE: 2 OR 3		ANCHOR TYPE: 1 OR 4		ANCHORS TYPE: 2 OR 3					
MAX ALLOWABLE LATERAL LOAD	MAX ALLOWABLE UPLIFT	MAX ALLOWABLE LATERAL LOAD	MAX ALLOWABLE UPLIFT	MAX ALLOWABLE LATERAL LOAD	MAX ALLOWABLE UPLIFT	MAX ALLOWABLE LATERAL LOAD	MAX ALLOWABLE UPLIFT	MAX ALLOWABLE LATERAL LOAD	MAX ALLOWABLE UPLIFT					
18"	30"	720 in ²	189.9 PSF	149.9 PSF	189.9 PSF	149.9 PSF	189.9 PSF	149.9 PSF	189.9 PSF	149.9 PSF	229.80 LB-FT	261.1 LB	1078.9 LB	857.7 LB
24"			189.9 PSF	149.9 PSF	189.9 PSF	149.9 PSF	189.9 PSF	149.9 PSF	189.9 PSF	149.9 PSF	296.60 LB-FT	261.1 LB	1235.6 LB	1014.4 LB
30"			189.9 PSF	149.9 PSF	189.9 PSF	149.9 PSF	188.6 PSF	148.9 PSF	188.6 PSF	148.9 PSF	188.6 PSF	148.9 PSF	259.3 LB	1163.6 LB
18"	40"	1200 in ²	99.2 PSF	78.3 PSF	99.2 PSF	78.3 PSF	99.2 PSF	78.3 PSF	99.2 PSF	78.3 PSF	195.60 LB-FT	222.3 LB	1022.6 LB	856.4 LB
24"			99.2 PSF	78.3 PSF	99.2 PSF	78.3 PSF	99.2 PSF	78.3 PSF	99.2 PSF	78.3 PSF	252.50 LB-FT	222.3 LB	1156.0 LB	989.8 LB
30"			99.2 PSF	78.3 PSF	99.2 PSF	78.3 PSF	99.2 PSF	78.3 PSF	99.2 PSF	78.3 PSF	308.90 LB-FT	222.3 LB	1289.3 LB	1123.2 LB
18"	50"	1800 in ²	58 (85) PSF	67.1 PSF	58 (85) PSF	67.1 PSF	58 (85) PSF	67.1 PSF	58 (85) PSF	67.1 PSF	248.00 LB-FT	281.8 LB	1436.3 LB	1212.8 LB
24"			58 (85) PSF	67.1 PSF	58 (85) PSF	67.1 PSF	58 (85) PSF	67.1 PSF	58 (85) PSF	67.1 PSF	320.10 LB-FT	281.8 LB	1605.4 LB	1381.9 LB
30"			58 (85) PSF	67.1 PSF	58 (85) PSF	67.1 PSF	58 (78.3) PSF	61.8 PSF	58 (78.3) PSF	61.8 PSF	360.40 LB-FT	259.3 LB	1632.2 LB	1432.8 LB
18"	60"	2520 in ²	36.8 (57) PSF	45.0 PSF	36.8 (57) PSF	45.0 PSF	36.8 (57) PSF	45.0 PSF	36.8 (57) PSF	45.0 PSF	230.40 LB-FT	261.8 LB	1462.2 LB	1265.3 LB
24"			36.8 (57) PSF	45.0 PSF	36.8 (57) PSF	45.0 PSF	36.8 (57) PSF	45.0 PSF	36.8 (57) PSF	45.0 PSF	297.40 LB-FT	261.8 LB	1619.3 LB	1422.4 LB
30"			36.8 (57) PSF	45.0 PSF	36.8 (57) PSF	45.0 PSF	36.8 (56.4) PSF	44.5 PSF	36.8 (56.4) PSF	44.5 PSF	360.40 LB-FT	259.3 LB	1759.3 LB	1565.0 LB

DESIGN SCHEDULE NOTES:

1. MAXIMUM CALCULATED FACE AREA SHALL BE EQUAL TO OR LESS THAN THE MAXIMUM ALLOWABLE FACE AREA FOR EACH CONFIGURATION.
2. REFERENCE ANCHOR SCHEDULE FOR ANCHOR TYPES LISTED HEREIN.

30" STAND DEPTH MINIMUM: MAX FACE AREA (3600in² - 12600in²), FRAME QUANTITY (5-8 FRAMES)

STAND CLEAR HEIGHT	MAX MEAN UNIT HEIGHT	MAX FACE AREA	UNIT TO FRAME RATIO												LOAD TRANSFER INFORMATION FOR USE WITH HOST STRUCTURE VERIFICATION ONLY							
			MAX FACE AREA : 8 FRAMES				MAX FACE AREA : 7 FRAMES				MAX FACE AREA : 6 FRAMES				MAX FACE AREA : 5 FRAMES				MAX. BASE MOMENT (M)	MAX. BASE SHEAR (V)	MAX. BASE UPLIFT (T)	MAX. BASE GRAVITY (C)
			ANCHOR TYPE: 1 OR 4		ANCHORS TYPE: 2 OR 3		ANCHOR TYPE: 1 OR 4		ANCHORS TYPE: 2 OR 3		ANCHOR TYPE: 1 OR 4		ANCHORS TYPE: 2 OR 3		ANCHOR TYPE: 1 OR 4		ANCHORS TYPE: 2 OR 3					
MAX ALLOWABLE LATERAL LOAD	MAX ALLOWABLE UPLIFT	MAX ALLOWABLE LATERAL LOAD	MAX ALLOWABLE UPLIFT	MAX ALLOWABLE LATERAL LOAD	MAX ALLOWABLE UPLIFT	MAX ALLOWABLE LATERAL LOAD	MAX ALLOWABLE UPLIFT	MAX ALLOWABLE LATERAL LOAD	MAX ALLOWABLE UPLIFT	MAX ALLOWABLE LATERAL LOAD	MAX ALLOWABLE UPLIFT	MAX ALLOWABLE LATERAL LOAD	MAX ALLOWABLE UPLIFT	MAX ALLOWABLE LATERAL LOAD	MAX ALLOWABLE UPLIFT	MAX ALLOWABLE LATERAL LOAD	MAX ALLOWABLE UPLIFT					
18"	30"	3600 in ²	200.0 PSF	157.8 PSF	200.0 PSF	157.8 PSF	197.4 PSF	155.8 PSF	197.4 PSF	155.8 PSF	169.2 PSF	133.6 PSF	169.2 PSF	133.6 PSF	141.0 PSF	111.3 PSF	141.0 PSF	111.3 PSF	360.40 LB-FT	387.8 LB	1137.3 LB	843.1 LB
24"			176.1 PSF	139.0 PSF	176.1 PSF	139.0 PSF	154.0 PSF	121.6 PSF	154.0 PSF	121.6 PSF	132.0 PSF	104.2 PSF	132.0 PSF	104.2 PSF	110.0 PSF	86.8 PSF	110.0 PSF	86.8 PSF	360.40 LB-FT	302.6 LB	1007.2 LB	808.7 LB
30"			144.7 PSF	114.3 PSF	144.7 PSF	114.3 PSF	126.6 PSF	100.0 PSF	126.6 PSF	100.0 PSF	108.5 PSF	85.7 PSF	108.5 PSF	85.7 PSF	90.4 PSF	71.4 PSF	90.4 PSF	71.4 PSF	360.40 LB-FT	248.8 LB	925.1 LB	788.4 LB
18"	40"	6000 in ²	125.0 PSF	98.6 PSF	125.0 PSF	98.6 PSF	121.2 PSF	95.6 PSF	121.2 PSF	95.6 PSF	103.9 PSF	82.0 PSF	103.9 PSF	82.0 PSF	86.							

"STD" STAND DESIGN SCHEDULE CONTINUED

30" STAND DEPTH MINIMUM: MAX FACE AREA (2880in² - 10080in²), FRAME QUANTITY (4-7 FRAMES)

STAND CLEAR HEIGHT	MAX MEAN UNIT HEIGHT	MAX FACE AREA	UNIT TO FRAME RATIO																LOAD TRANSFER INFORMATION FOR USE WITH HOST STRUCTURE VERIFICATION ONLY			
			MAX FACE AREA : 7 FRAMES				MAX FACE AREA : 6 FRAMES				MAX FACE AREA : 5 FRAMES				MAX FACE AREA : 4 FRAMES				MAX. BASE MOMENT (M)	MAX. BASE SHEAR (V)	MAX. BASE UPLIFT (T)	MAX. BASE GRAVITY (C)
			ANCHOR TYPE: 1 OR 4		ANCHORS TYPE: 2 OR 3		ANCHOR TYPE: 1 OR 4		ANCHORS TYPE: 2 OR 3		ANCHOR TYPE: 1 OR 4		ANCHORS TYPE: 2 OR 3		ANCHOR TYPE: 1 OR 4		ANCHORS TYPE: 2 OR 3					
MAX ALLOWABLE LATERAL LOAD	MAX ALLOWABLE UPLIFT	MAX ALLOWABLE LATERAL LOAD	MAX ALLOWABLE UPLIFT	MAX ALLOWABLE LATERAL LOAD	MAX ALLOWABLE UPLIFT	MAX ALLOWABLE LATERAL LOAD	MAX ALLOWABLE UPLIFT	MAX ALLOWABLE LATERAL LOAD	MAX ALLOWABLE UPLIFT	MAX ALLOWABLE LATERAL LOAD	MAX ALLOWABLE UPLIFT	MAX ALLOWABLE LATERAL LOAD	MAX ALLOWABLE UPLIFT	MAX ALLOWABLE LATERAL LOAD	MAX ALLOWABLE UPLIFT	MAX ALLOWABLE LATERAL LOAD	MAX ALLOWABLE UPLIFT					
18"	30"	2880 in ²	200.0 PSF	157.8 PSF	200.0 PSF	157.8 PSF	200.0 PSF	157.8 PSF	200.0 PSF	157.8 PSF	176.2 PSF	139.1 PSF	176.2 PSF	139.1 PSF	141.0 PSF	111.3 PSF	141.0 PSF	111.3 PSF	360.40 LB-FT	387.8 LB	1135.4 LB	843.1 LB
24"			192.6 PSF	152.0 PSF	192.6 PSF	152.0 PSF	165.1 PSF	130.3 PSF	165.1 PSF	130.3 PSF	137.5 PSF	108.6 PSF	137.5 PSF	108.6 PSF	110.0 PSF	86.8 PSF	110.0 PSF	86.8 PSF	360.40 LB-FT	302.6 LB	1008.4 LB	808.7 LB
30"			158.3 PSF	125.0 PSF	158.3 PSF	125.0 PSF	135.7 PSF	107.1 PSF	135.7 PSF	107.1 PSF	113.1 PSF	89.3 PSF	113.1 PSF	89.3 PSF	90.4 PSF	71.4 PSF	90.4 PSF	71.4 PSF	360.40 LB-FT	248.8 LB	926.3 LB	788.4 LB
18"	40"	4800 in ²	125.0 PSF	98.6 PSF	125.0 PSF	98.6 PSF	125.0 PSF	98.6 PSF	125.0 PSF	98.6 PSF	108.2 PSF	85.4 PSF	108.2 PSF	85.4 PSF	86.5 PSF	68.3 PSF	86.5 PSF	68.3 PSF	360.40 LB-FT	387.8 LB	1255.6 LB	981.4 LB
24"			118.2 PSF	93.3 PSF	118.2 PSF	93.3 PSF	101.3 PSF	80.0 PSF	101.3 PSF	80.0 PSF	84.4 PSF	66.6 PSF	84.4 PSF	66.6 PSF	67.5 PSF	53.3 PSF	67.5 PSF	53.3 PSF	360.40 LB-FT	302.6 LB	1102.2 LB	916.7 LB
30"			97.2 PSF	76.7 PSF	97.2 PSF	76.7 PSF	83.3 PSF	65.7 PSF	83.3 PSF	65.7 PSF	69.4 PSF	54.8 PSF	69.4 PSF	54.8 PSF	55.5 PSF	43.8 PSF	55.5 PSF	43.8 PSF	360.40 LB-FT	248.8 LB	1003.5 LB	877.2 LB
18"	50"	7200 in ²	75 (102.4) PSF	80.8 PSF	75 (102.4) PSF	80.8 PSF	75 (97.8) PSF	69.3 PSF	75 (97.8) PSF	69.3 PSF	73.1 PSF	57.7 PSF	73.1 PSF	57.7 PSF	58.5 PSF	46.2 PSF	58.5 PSF	46.2 PSF	360.40 LB-FT	387.8 LB	1384.4 LB	1116.3 LB
24"			75 (79.9) PSF	63.1 PSF	75 (79.9) PSF	63.1 PSF	68.5 PSF	54.1 PSF	68.5 PSF	54.1 PSF	57.1 PSF	45.0 PSF	57.1 PSF	45.0 PSF	45.6 PSF	36.0 PSF	45.6 PSF	36.0 PSF	360.40 LB-FT	302.6 LB	1198.7 LB	1022.0 LB
30"			65.7 PSF	51.8 PSF	65.7 PSF	51.8 PSF	56.3 PSF	44.4 PSF	56.3 PSF	44.4 PSF	46.9 PSF	37.0 PSF	46.9 PSF	37.0 PSF	37.5 PSF	29.6 PSF	37.5 PSF	29.6 PSF	360.40 LB-FT	248.8 LB	1082.8 LB	963.8 LB
18"	60"	10080 in ²	48.5 (73.8) PSF	58.3 PSF	48.5 (72.3) PSF	57.0 PSF	48.5 (63.3) PSF	49.9 PSF	48.5 (62) PSF	48.9 PSF	48.5 (52.7) PSF	41.6 PSF	48.5 (51.7) PSF	40.8 PSF	42.2 PSF	33.3 PSF	41.4 PSF	32.6 PSF	360.40 LB-FT	387.8 LB	1509.8 LB	1249.4 LB
24"			48.5 (57.6) PSF	45.5 PSF	48.5 (57.6) PSF	45.5 PSF	48.5 (49.4) PSF	39.0 PSF	48.5 (49.4) PSF	39.0 PSF	41.1 PSF	32.5 PSF	41.1 PSF	32.5 PSF	32.9 PSF	26.0 PSF	32.9 PSF	26.0 PSF	360.40 LB-FT	302.6 LB	1296.6 LB	1125.9 LB
30"			47.4 PSF	37.4 PSF	47.4 PSF	37.4 PSF	40.6 PSF	32.0 PSF	40.6 PSF	32.0 PSF	33.8 PSF	26.7 PSF	33.8 PSF	26.7 PSF	27.0 PSF	21.3 PSF	27.0 PSF	21.3 PSF	360.40 LB-FT	248.8 LB	1163.3 LB	1049.2 LB

30" STAND DEPTH MINIMUM: MAX FACE AREA (2160in² - 7560in²), FRAME QUANTITY (3-6 FRAMES)

STAND CLEAR HEIGHT	MAX MEAN UNIT HEIGHT	MAX FACE AREA	UNIT TO FRAME RATIO												LOAD TRANSFER INFORMATION FOR USE WITH HOST STRUCTURE VERIFICATION ONLY							
			MAX FACE AREA : 6 FRAMES				MAX FACE AREA : 5 FRAMES				MAX FACE AREA : 4 FRAMES				MAX FACE AREA : 3 FRAMES				MAX. BASE MOMENT (M)	MAX. BASE SHEAR (V)	MAX. BASE UPLIFT (T)	MAX. BASE GRAVITY (C)
			ANCHOR TYPE: 1 OR 4		ANCHORS TYPE: 2 OR 3		ANCHOR TYPE: 1 OR 4		ANCHORS TYPE: 2 OR 3		ANCHOR TYPE: 1 OR 4		ANCHORS TYPE: 2 OR 3		ANCHOR TYPE: 1 OR 4		ANCHORS TYPE: 2 OR 3					
MAX ALLOWABLE LATERAL LOAD	MAX ALLOWABLE UPLIFT	MAX ALLOWABLE LATERAL LOAD	MAX ALLOWABLE UPLIFT	MAX ALLOWABLE LATERAL LOAD	MAX ALLOWABLE UPLIFT	MAX ALLOWABLE LATERAL LOAD	MAX ALLOWABLE UPLIFT	MAX ALLOWABLE LATERAL LOAD	MAX ALLOWABLE UPLIFT	MAX ALLOWABLE LATERAL LOAD	MAX ALLOWABLE UPLIFT	MAX ALLOWABLE LATERAL LOAD	MAX ALLOWABLE UPLIFT	MAX ALLOWABLE LATERAL LOAD	MAX ALLOWABLE UPLIFT	MAX ALLOWABLE LATERAL LOAD	MAX ALLOWABLE UPLIFT					
18"	30"	2160 in ²	200.0 PSF	157.8 PSF	200.0 PSF	157.8 PSF	200.0 PSF	157.8 PSF	200.0 PSF	157.8 PSF	188.0 PSF	148.4 PSF	188.0 PSF	148.4 PSF	141.0 PSF	111.3 PSF	141.0 PSF	111.3 PSF	360.40 LB-FT	387.8 LB	1136.5 LB	843.1 LB
24"			200.0 PSF	157.8 PSF	200.0 PSF	157.8 PSF	183.4 PSF	144.8 PSF	183.4 PSF	144.8 PSF	146.7 PSF	115.8 PSF	146.7 PSF	115.8 PSF	110.0 PSF	86.8 PSF	110.0 PSF	86.8 PSF	360.40 LB-FT	302.6 LB	1007.8 LB	808.7 LB
30"			180.9 PSF	142.8 PSF	180.9 PSF	142.8 PSF	150.8 PSF	119.0 PSF	150.8 PSF	119.0 PSF	120.6 PSF	95.2 PSF	120.6 PSF	95.2 PSF	90.4 PSF	71.4 PSF	90.4 PSF	71.4 PSF	360.40 LB-FT	248.8 LB	927.9 LB	788.4 LB
18"	40"	3600 in ²	125.0 PSF	98.6 PSF	125.0 PSF	98.6 PSF	125.0 PSF	98.6 PSF	125.0 PSF	98.6 PSF	115.4 PSF	91.1 PSF	115.4 PSF	91.1 PSF	86.5 PSF	68.3 PSF	86.5 PSF	68.3 PSF	360.40 LB-FT	387.8 LB	1256.7 LB	981.4 LB
24"			125.0 PSF	98.6 PSF	125.0 PSF	98.6 PSF	112.6 PSF	88.9 PSF	112.6 PSF	88.9 PSF	90.1 PSF	71.1 PSF	90.1 PSF	71.1 PSF	67.5 PSF	53.3 PSF	67.5 PSF	53.3 PSF	360.40 LB-FT	302.6 LB	1101.6 LB	916.7 LB
30"			111.1 PSF	87.7 PSF	111.1 PSF	87.7 PSF	92.5 PSF	73.1 PSF	92.5 PSF	73.1 PSF	74.0 PSF	58.4 PSF	74.0 PSF	58.4 PSF	55.5 PSF	43.8 PSF	55.5 PSF	43.8 PSF	360.40 LB-FT	248.8 LB	1005.1 LB	877.2 LB
18"	50"	5400 in ²	75 (114.7) PSF	92.4 PSF	75 (114.7) PSF	92.4 PSF	75 (97.5) PSF	77.0 PSF	75 (97.5) PSF	77.0 PSF	75 (78) PSF	61.6 PSF	75 (78) PSF	61.6 PSF	58.5 PSF	46.2 PSF	58.5 PSF	46.2 PSF	360.40 LB-FT	387.8 LB	1386.0 LB	1116.3 LB
24"			75 (91.3) PSF	72.1 PSF	75 (91.3) PSF	72.1 PSF	75 (76.1) PSF	60.1 PSF	75 (76.1) PSF	60.1 PSF	60.9 PSF	48.0 PSF	60.9 PSF	48.0 PSF	45.6 PSF	36.0 PSF	45.6 PSF	36.0 PSF	360.40 LB-FT	302.6 LB	1200.3 LB	1022.0 LB
30"			75 (75.1) PSF	59.3 PSF	75 (75.1) PSF	59.3 PSF	62.6 PSF	49.4 PSF	62.6 PSF	49.4 PSF	50.0 PSF	39.5 PSF	50.0 PSF	39.5 PSF	39.5 PSF	29.6 PSF	39.5 PSF	29.6 PSF	360.40 LB-FT	248.8 LB	1084.4 LB	963.8 LB
18"	60"	7560 in ²	48.5 (84.4) PSF	66.6 PSF	48.5 (82.6) PSF	65.2 PSF	48.5 (70.3) PSF	55.5 PSF	48.5 (68.8) PSF	54.3 PSF	48.5 (56.2) PSF	44.4 PSF	48.5 (55.1) PSF	43.5 PSF	42.2 PSF	33.3 PSF	41.4 PSF	32.6 PSF	360.40 LB-FT	387.8 LB	1511.4 LB	1249.4 LB
24"			48.5 (65.8) PSF	52.0 PSF	48.5 (65.8) PSF	52.0 PSF	48.5 (54.9) PSF	43.3 PSF	48.5 (54.9) PSF	43.3 PSF	43.9 PSF	34.6 PSF	43.9 PSF	34.6 PSF	32.9 PSF	26.0 PSF	32.9 PSF	26.0 PSF	360.40 LB-FT	302.6 LB	1298.2 LB	1125.9 LB
30"			48.5 (54.1) PSF	42.7 PSF	48.5 (54.1) PSF	42.7 PSF	45.1 PSF	35.6 PSF	45.1 PSF	35.6 PSF	36.1 PSF	28.5 PSF	36.1 PSF	28.5 PSF	27.0 PSF	21.3 PSF	27.0 PSF	21.3 PSF	360.40 LB-FT	248.8 LB	1164.9 LB	1049.2 LB

30" STAND DEPTH MINIMUM: MAX FACE AREA (1440in² - 5040in²), FRAME QUANTITY (2-5 FRAMES)

STAND CLEAR HEIGHT	MAX MEAN UNIT HEIGHT	MAX FACE AREA	UNIT TO FRAME RATIO										LOAD TRANSFER INFORMATION FOR USE WITH HOST STRUCTURE VERIFICATION ONLY									
			MAX FACE AREA : 5 FRAMES				MAX FACE AREA : 4 FRAMES				MAX FACE AREA : 3 FRAMES				MAX FACE AREA : 2 FRAMES				MAX. BASE MOMENT (M)	MAX. BASE SHEAR (V)	MAX. BASE UPLIFT (T)	MAX. BASE GRAVITY (C)
			ANCHOR TYPE: 1 OR 4		ANCHORS TYPE: 2 OR 3		ANCHOR TYPE: 1 OR 4		ANCHORS TYPE: 2 OR 3		ANCHOR TYPE: 1 OR 4		ANCHORS TYPE: 2 OR 3		ANCHOR TYPE: 1 OR 4		ANCHORS TYPE: 2 OR 3					
MAX ALLOWABLE LATERAL LOAD	MAX ALLOWABLE UPLIFT	MAX ALLOWABLE LATERAL LOAD	MAX ALLOWABLE UPLIFT	MAX ALLOWABLE LATERAL LOAD	MAX ALLOWABLE UPLIFT	MAX ALLOWABLE LATERAL LOAD	MAX ALLOWABLE UPLIFT	MAX ALLOWABLE LATERAL LOAD	MAX ALLOWABLE UPLIFT	MAX ALLOWABLE LATERAL LOAD	MAX ALLOWABLE UPLIFT	MAX ALLOWABLE LATERAL LOAD	MAX ALLOWABLE UPLIFT	MAX ALLOWABLE LATERAL LOAD	MAX ALLOWABLE UPLIFT	MAX ALLOWABLE LATERAL LOAD	MAX ALLOWABLE UPLIFT					
18"	30"	1440 in ²	200.0 PSF	157.8 PSF	200.0 PSF	157.8 PSF	200.0 PSF	157.8 PSF	200.0 PSF	157.8 PSF	200.0 PSF	157.8 PSF	200.0 PSF	157.8 PSF	141.0 PSF	111.3 PSF	141.0 PSF	111.3 PSF	360.40 LB-FT	387.8 LB	1130.9 LB	843.1 LB
24"			200.0 PSF	157.8 PSF	200.0 PSF	157.8 PSF	200.0 PSF	157.8 PSF	200.0 PSF	157.8 PSF	165.1 PSF	130.3 PSF	165.1 PSF	130.3 PSF	110.0 PSF	86.8 PSF	110.0 PSF	86.8 PSF	360.40 LB-FT	302.6 LB	1006.3 LB	808.7 LB
30"			157.8 PSF	125.0 PSF	157.8 PSF	125.0 PSF	180.9 PSF	142.8 PSF	180.9 PSF	142.8 PSF	135.7 PSF	107.1 PSF	135.7 PSF	107.1 PSF	90.4 PSF	71.4 PSF	90.4 PSF	71.4 PSF	360.40 LB-FT	248.8 LB	927.9 LB	788.4 LB
18"	40"	2400 in ²	125.0 PSF	98.6 PSF	125.0 PSF	98.6 PSF	125.0 PSF	98.6 PSF	125.0 PSF	98.6 PSF	125.0 PSF	98.6 PSF	125.0 PSF	98.6 PSF	86.5 PSF	68.3 PSF	86.5 PSF	68.3 PSF	360.40 LB-FT	387.8 LB	1251.1 LB	981.4 LB
24"			125.0 PSF	98.6 PSF	125.0 PSF	98.6 PSF	125.0 PSF	98.6 PSF	125.0 PSF	98.6 PSF	101.3 PSF	80.0 PSF	101.3 PSF	80.0 PSF	67.5 PSF	53.3 PSF	67.5 PSF	53.3 PSF	360.40 LB-FT	302.6 LB	1100.1 LB	916.7 LB
30"			125.0 PSF	98.6 PSF	125.0 PSF	98.6 PSF	111.1 PSF	87.7 PSF	111.1 PSF	87.7 PSF	83.3 PSF	65.7 PSF	83.3 PSF	65.7 PSF	55.5 PSF	43.8 PSF	55.5 PSF	43.8 PSF	360.40 LB-FT	248.8 LB	1005.1 LB	877.2 LB
18"	50"	3600 in ²	75 (114.7) PSF	115.5 PSF	75 (114.7) PSF	115.5 PSF	75 (114.7) PSF	92.4 PSF	75 (114.7) PSF	92.4 PSF	75 (87.8) PSF	69.3 PSF	75 (87.8) PSF	69.3 PSF	58.5 PSF	46.2 PSF	58.5 PSF	46.2 PSF	360.40 LB-FT	387.8 LB	1386.2 LB	1116.3 LB
24"			75 (114.2) PSF	90.1 PSF	75 (114.2) PSF	90.1 PSF	75 (91.3) PSF	72.1 PSF	75 (91.3) PSF	72.1 PSF	68.5 PSF	54.1 PSF	68.5 PSF	54.1 PSF	45.6 PSF	36.0 PSF	45.6 PSF	36.0 PSF	360.40 LB-FT	302.6 LB	1202.6 LB	1022.0 LB
30"			75 (93.9) PSF	74.1 PSF	75 (93.9) PSF	74.1 PSF	75 (75.1) PSF	59.3 PSF	75 (75.1) PSF	59.3 PSF	56.3 PSF	44.4 PSF	56.3 PSF	44.4 PSF	37.5 PSF	29.6 PSF	37.5 PSF	29.6 PSF	360.40 LB-FT	248.8 LB	1086.7 LB	963.8 LB
18"	60"	5040 in ²	48.5 (88.2) PSF	76.1 PSF	48.5 (88.2) PSF	76.1 PSF	48.5 (84.4) PSF	66.6 PSF	48.5 (82.6) PSF	65.2 PSF	48.5 (63.3) PSF	49.9 PSF	48.5 (62) PSF	48.9 PSF	42.2 PSF	33.3 PSF	41.4 PSF	32.6 PSF	360.40 LB-FT	387.8 LB	1511.4 LB	1249.4 LB
24"			48.5 (82.3) PSF	65.0 PSF	48.5 (82.3) PSF	65.0 PSF	48.5 (65.8) PSF	52.0 PSF	48.5 (65.8) PSF	52.0 PSF	48.5 (49.4) PSF	39.0 PSF	48.5 (49.4) PSF	39.0 PSF	32.9 PSF	26.0 PSF	32.9 PSF	26.0 PSF	360.40 LB-FT	302.6 LB	1300.5 LB	1125.9 LB
30"			48.5 (67.7) PSF	53.4 PSF	48.5 (67.7) PSF	53.4 PSF	48.5 (54.1) PSF	42.7 PSF	48.5 (54.1) PSF	42.7 PSF	40.6 PSF	32.0 PSF	40.6 PSF	32.0 PSF	27.0 PSF	21.3 PSF	27.0 PSF	21.3 PSF	360.40 LB-FT	248.8 LB	1167.1 LB	1049.2 LB

30" STAND DEPTH MINIMUM: MAX FACE AREA (720in² - 2520in²), FRAME QUANTITY (2-3 FRAMES)

STAND CLEAR HEIGHT	MAX MEAN UNIT HEIGHT	MAX FACE AREA	UNIT TO FRAME RATIO								LOAD TRANSFER INFORMATION FOR USE WITH HOST STRUCTURE VERIFICATION ONLY			
			MAX FACE AREA : 3 FRAMES				MAX FACE AREA : 2 FRAMES				MAX. BASE MOMENT (M)	MAX. BASE SHEAR (V)	MAX. BASE UPLIFT (T)	MAX. BASE GRAVITY (C)
			ANCHOR TYPE: 1 OR 4		ANCHOR TYPE: 2 OR 3		ANCHOR TYPE: 1 OR 4		ANCHOR TYPE: 2 OR 3					
MAX ALLOWABLE LATERAL LOAD	MAX ALLOWABLE UPLIFT	MAX ALLOWABLE LATERAL LOAD	MAX ALLOWABLE UPLIFT	MAX ALLOWABLE LATERAL LOAD	MAX ALLOWABLE UPLIFT	MAX ALLOWABLE LATERAL LOAD	MAX ALLOWABLE UPLIFT	MAX ALLOWABLE LATERAL LOAD	MAX ALLOWABLE UPLIFT					

"HD" STAND DESIGN SCHEDULE

FRANK BENNARDO, PE
PE#0046549 CA#9885



36" STAND DEPTH MINIMUM: MAX FACE AREA (3600in² - 12600in²), FRAME QUANTITY (5-8 FRAMES)

STAND CLEAR HEIGHT	MAX MEAN UNIT HEIGHT	MAX FACE AREA	UNIT TO FRAME RATIO																LOAD TRANSFER INFORMATION FOR USE WITH HOST STRUCTURE VERIFICATION ONLY			
			MAX FACE AREA : 8 FRAMES				MAX FACE AREA : 7 FRAMES				MAX FACE AREA : 6 FRAMES				MAX FACE AREA : 5 FRAMES				MAX. BASE MOMENT (M)	MAX. BASE SHEAR (V)	MAX. BASE UPLIFT (T)	MAX. BASE GRAVITY (C)
			ANCHOR TYPE: 1 OR 4		ANCHORS TYPE: 2 OR 3		ANCHOR TYPE: 1 OR 4		ANCHORS TYPE: 2 OR 3		ANCHOR TYPE: 1 OR 4		ANCHORS TYPE: 2 OR 3		ANCHOR TYPE: 1 OR 4		ANCHORS TYPE: 2 OR 3					
MAX ALLOWABLE LATERAL LOAD	MAX ALLOWABLE UPLIFT	MAX ALLOWABLE LATERAL LOAD	MAX ALLOWABLE UPLIFT	MAX ALLOWABLE LATERAL LOAD	MAX ALLOWABLE UPLIFT	MAX ALLOWABLE LATERAL LOAD	MAX ALLOWABLE UPLIFT	MAX ALLOWABLE LATERAL LOAD	MAX ALLOWABLE UPLIFT	MAX ALLOWABLE LATERAL LOAD	MAX ALLOWABLE UPLIFT	MAX ALLOWABLE LATERAL LOAD	MAX ALLOWABLE UPLIFT	MAX ALLOWABLE LATERAL LOAD	MAX ALLOWABLE UPLIFT	MAX ALLOWABLE LATERAL LOAD	MAX ALLOWABLE UPLIFT					
18"	30"	3600 in ²	200.0 PSF	157.8 PSF	200.0 PSF	157.8 PSF	197.6 PSF	156.0 PSF	197.6 PSF	156.0 PSF	169.4 PSF	133.7 PSF	169.4 PSF	133.7 PSF	141.1 PSF	111.4 PSF	141.1 PSF	111.4 PSF	360.40 LB-FT	388.2 LB	983.3 LB	688.6 LB
24"			176.2 PSF	139.1 PSF	176.2 PSF	139.1 PSF	154.2 PSF	121.7 PSF	154.2 PSF	121.7 PSF	132.2 PSF	104.3 PSF	132.2 PSF	104.3 PSF	110.1 PSF	86.9 PSF	110.1 PSF	86.9 PSF	360.40 LB-FT	302.9 LB	866.8 LB	668.0 LB
30"			144.9 PSF	114.4 PSF	144.9 PSF	114.4 PSF	126.8 PSF	100.1 PSF	126.8 PSF	100.1 PSF	108.6 PSF	85.8 PSF	108.6 PSF	85.8 PSF	90.5 PSF	71.5 PSF	90.5 PSF	71.5 PSF	360.40 LB-FT	249.0 LB	793.1 LB	656.2 LB
18"	40"	6000 in ²	125.0 PSF	96.6 PSF	125.0 PSF	96.6 PSF	121.3 PSF	95.8 PSF	121.3 PSF	95.8 PSF	104.0 PSF	82.1 PSF	104.0 PSF	82.1 PSF	86.6 PSF	68.4 PSF	86.6 PSF	68.4 PSF	360.40 LB-FT	388.2 LB	1082.1 LB	805.5 LB
24"			108.2 PSF	85.4 PSF	108.2 PSF	85.4 PSF	94.7 PSF	74.7 PSF	94.7 PSF	74.7 PSF	81.1 PSF	64.0 PSF	81.1 PSF	64.0 PSF	67.6 PSF	53.4 PSF	67.6 PSF	53.4 PSF	360.40 LB-FT	302.9 LB	943.9 LB	759.2 LB
30"			88.9 PSF	70.2 PSF	88.9 PSF	70.2 PSF	77.8 PSF	61.4 PSF	77.8 PSF	61.4 PSF	66.7 PSF	52.6 PSF	66.7 PSF	52.6 PSF	55.6 PSF	43.9 PSF	55.6 PSF	43.9 PSF	360.40 LB-FT	249.0 LB	856.5 LB	731.2 LB
18"	50"	9000 in ²	83.1 (93.7) PSF	74.0 PSF	83.1 (93.7) PSF	74.0 PSF	82.0 PSF	64.7 PSF	82.0 PSF	64.7 PSF	70.3 PSF	55.5 PSF	70.3 PSF	55.5 PSF	58.6 PSF	46.2 PSF	58.6 PSF	46.2 PSF	360.40 LB-FT	388.2 LB	1186.3 LB	919.0 LB
24"			73.1 PSF	57.7 PSF	73.1 PSF	57.7 PSF	64.0 PSF	50.5 PSF	64.0 PSF	50.5 PSF	54.8 PSF	43.3 PSF	54.8 PSF	43.3 PSF	45.7 PSF	36.1 PSF	45.7 PSF	36.1 PSF	360.40 LB-FT	302.9 LB	1023.7 LB	847.8 LB
30"			60.1 PSF	47.4 PSF	60.1 PSF	47.4 PSF	52.6 PSF	41.5 PSF	52.6 PSF	41.5 PSF	45.1 PSF	35.6 PSF	45.1 PSF	35.6 PSF	37.5 PSF	29.6 PSF	37.5 PSF	29.6 PSF	360.40 LB-FT	249.0 LB	922.1 LB	804.0 LB
18"	60"	12600 in ²	54.2 (67.6) PSF	53.3 PSF	54.2 (67.6) PSF	53.3 PSF	54.2 (59.1) PSF	46.7 PSF	54.2 (59.1) PSF	46.7 PSF	50.7 PSF	40.0 PSF	50.7 PSF	40.0 PSF	42.2 PSF	33.3 PSF	42.2 PSF	33.3 PSF	360.40 LB-FT	388.2 LB	1290.3 LB	1030.7 LB
24"			52.7 PSF	41.6 PSF	52.7 PSF	41.6 PSF	46.1 PSF	36.4 PSF	46.1 PSF	36.4 PSF	39.5 PSF	31.2 PSF	39.5 PSF	31.2 PSF	32.9 PSF	26.0 PSF	32.9 PSF	26.0 PSF	360.40 LB-FT	302.9 LB	1104.8 LB	935.0 LB
30"			43.3 PSF	34.2 PSF	43.3 PSF	34.2 PSF	37.9 PSF	29.9 PSF	37.9 PSF	29.9 PSF	29.9 PSF	25.6 PSF	25.6 PSF	25.6 PSF	27.1 PSF	21.4 PSF	27.1 PSF	21.4 PSF	360.40 LB-FT	249.0 LB	988.8 LB	875.6 LB

36" STAND DEPTH MINIMUM: MAX FACE AREA (2880in² - 10080in²), FRAME QUANTITY (4-7 FRAMES)

STAND CLEAR HEIGHT	MAX MEAN UNIT HEIGHT	MAX FACE AREA	UNIT TO FRAME RATIO																LOAD TRANSFER INFORMATION FOR USE WITH HOST STRUCTURE VERIFICATION ONLY			
			MAX FACE AREA : 7 FRAMES				MAX FACE AREA : 6 FRAMES				MAX FACE AREA : 5 FRAMES				MAX FACE AREA : 4 FRAMES				MAX. BASE MOMENT (M)	MAX. BASE SHEAR (V)	MAX. BASE UPLIFT (T)	MAX. BASE GRAVITY (C)
			ANCHOR TYPE: 1 OR 4		ANCHORS TYPE: 2 OR 3		ANCHOR TYPE: 1 OR 4		ANCHORS TYPE: 2 OR 3		ANCHOR TYPE: 1 OR 4		ANCHORS TYPE: 2 OR 3		ANCHOR TYPE: 1 OR 4		ANCHORS TYPE: 2 OR 3					
MAX ALLOWABLE LATERAL LOAD	MAX ALLOWABLE UPLIFT	MAX ALLOWABLE LATERAL LOAD	MAX ALLOWABLE UPLIFT	MAX ALLOWABLE LATERAL LOAD	MAX ALLOWABLE UPLIFT	MAX ALLOWABLE LATERAL LOAD	MAX ALLOWABLE UPLIFT	MAX ALLOWABLE LATERAL LOAD	MAX ALLOWABLE UPLIFT	MAX ALLOWABLE LATERAL LOAD	MAX ALLOWABLE UPLIFT	MAX ALLOWABLE LATERAL LOAD	MAX ALLOWABLE UPLIFT	MAX ALLOWABLE LATERAL LOAD	MAX ALLOWABLE UPLIFT	MAX ALLOWABLE LATERAL LOAD	MAX ALLOWABLE UPLIFT					
18"	30"	2880 in ²	200.0 PSF	157.8 PSF	200.0 PSF	157.8 PSF	200.0 PSF	157.8 PSF	176.4 PSF	139.3 PSF	176.4 PSF	139.3 PSF	141.1 PSF	111.4 PSF	141.1 PSF	111.4 PSF	111.4 PSF	86.9 PSF	360.40 LB-FT	388.2 LB	981.4 LB	688.6 LB
24"			192.8 PSF	152.2 PSF	192.8 PSF	152.2 PSF	165.2 PSF	130.4 PSF	165.2 PSF	130.4 PSF	137.7 PSF	108.7 PSF	137.7 PSF	108.7 PSF	110.1 PSF	86.9 PSF	110.1 PSF	86.9 PSF	360.40 LB-FT	302.9 LB	868.0 LB	668.0 LB
30"			158.5 PSF	125.1 PSF	158.5 PSF	125.1 PSF	135.8 PSF	107.2 PSF	135.8 PSF	107.2 PSF	113.2 PSF	89.3 PSF	113.2 PSF	89.3 PSF	90.5 PSF	71.5 PSF	90.5 PSF	71.5 PSF	360.40 LB-FT	249.0 LB	794.3 LB	656.2 LB
18"	40"	4800 in ²	125.0 PSF	96.6 PSF	125.0 PSF	96.6 PSF	125.0 PSF	96.6 PSF	108.3 PSF	85.5 PSF	108.3 PSF	85.5 PSF	86.6 PSF	68.4 PSF	86.6 PSF	68.4 PSF	68.4 PSF	53.4 PSF	360.40 LB-FT	388.2 LB	1080.2 LB	805.5 LB
24"			118.3 PSF	93.4 PSF	118.3 PSF	93.4 PSF	101.4 PSF	80.1 PSF	101.4 PSF	80.1 PSF	84.5 PSF	66.7 PSF	84.5 PSF	66.7 PSF	67.6 PSF	53.4 PSF	67.6 PSF	53.4 PSF	360.40 LB-FT	302.9 LB	945.1 LB	759.2 LB
30"			97.3 PSF	76.8 PSF	97.3 PSF	76.8 PSF	83.4 PSF	65.8 PSF	83.4 PSF	65.8 PSF	69.5 PSF	54.8 PSF	69.5 PSF	54.8 PSF	55.6 PSF	43.9 PSF	55.6 PSF	43.9 PSF	360.40 LB-FT	249.0 LB	857.7 LB	731.2 LB
18"	50"	7200 in ²	83.1 (102.5) PSF	80.9 PSF	83.1 (102.5) PSF	80.9 PSF	83.1 (87.9) PSF	69.4 PSF	83.1 (87.9) PSF	69.4 PSF	73.2 PSF	57.8 PSF	73.2 PSF	57.8 PSF	58.6 PSF	46.2 PSF	58.6 PSF	46.2 PSF	360.40 LB-FT	388.2 LB	1187.5 LB	919.0 LB
24"			80.0 PSF	63.1 PSF	80.0 PSF	63.1 PSF	68.6 PSF	54.1 PSF	68.6 PSF	54.1 PSF	57.1 PSF	45.1 PSF	57.1 PSF	45.1 PSF	45.7 PSF	36.1 PSF	45.7 PSF	36.1 PSF	360.40 LB-FT	302.9 LB	1024.9 LB	847.8 LB
30"			65.7 PSF	51.9 PSF	65.7 PSF	51.9 PSF	56.3 PSF	44.5 PSF	56.3 PSF	44.5 PSF	46.9 PSF	37.1 PSF	46.9 PSF	37.1 PSF	37.5 PSF	29.6 PSF	37.5 PSF	29.6 PSF	360.40 LB-FT	249.0 LB	923.3 LB	804.0 LB
18"	60"	10080 in ²	54.2 (73.9) PSF	58.3 PSF	54.2 (73.9) PSF	58.3 PSF	54.2 (63.3) PSF	50.0 PSF	54.2 (63.3) PSF	50.0 PSF	52.8 PSF	41.7 PSF	52.8 PSF	41.7 PSF	42.2 PSF	33.3 PSF	42.2 PSF	33.3 PSF	360.40 LB-FT	388.2 LB	1291.5 LB	1030.7 LB
24"			54.2 (57.7) PSF	45.5 PSF	54.2 (57.7) PSF	45.5 PSF	49.4 PSF	39.0 PSF	49.4 PSF	39.0 PSF	41.2 PSF	32.5 PSF	41.2 PSF	32.5 PSF	32.9 PSF	26.0 PSF	32.9 PSF	26.0 PSF	360.40 LB-FT	302.9 LB	1106.0 LB	935.0 LB
30"			47.4 PSF	37.4 PSF	47.4 PSF	37.4 PSF	40.6 PSF	32.1 PSF	40.6 PSF	32.1 PSF	33.8 PSF	26.7 PSF	33.8 PSF	26.7 PSF	27.1 PSF	21.4 PSF	27.1 PSF	21.4 PSF	360.40 LB-FT	249.0 LB	990.0 LB	875.6 LB

36" STAND DEPTH MINIMUM: MAX FACE AREA (2160in² - 7560in²), FRAME QUANTITY (3-6 FRAMES)

STAND CLEAR HEIGHT	MAX MEAN UNIT HEIGHT	MAX FACE AREA	UNIT TO FRAME RATIO																LOAD TRANSFER INFORMATION FOR USE WITH HOST STRUCTURE VERIFICATION ONLY			
			MAX FACE AREA : 6 FRAMES				MAX FACE AREA : 5 FRAMES				MAX FACE AREA : 4 FRAMES				MAX FACE AREA : 3 FRAMES				MAX. BASE MOMENT (M)	MAX. BASE SHEAR (V)	MAX. BASE UPLIFT (T)	MAX. BASE GRAVITY (C)
			ANCHOR TYPE: 1 OR 4		ANCHORS TYPE: 2 OR 3		ANCHOR TYPE: 1 OR 4		ANCHORS TYPE: 2 OR 3		ANCHOR TYPE: 1 OR 4		ANCHORS TYPE: 2 OR 3		ANCHOR TYPE: 1 OR 4		ANCHORS TYPE: 2 OR 3					
MAX ALLOWABLE LATERAL LOAD	MAX ALLOWABLE UPLIFT	MAX ALLOWABLE LATERAL LOAD	MAX ALLOWABLE UPLIFT	MAX ALLOWABLE LATERAL LOAD	MAX ALLOWABLE UPLIFT	MAX ALLOWABLE LATERAL LOAD	MAX ALLOWABLE UPLIFT	MAX ALLOWABLE LATERAL LOAD	MAX ALLOWABLE UPLIFT	MAX ALLOWABLE LATERAL LOAD	MAX ALLOWABLE UPLIFT	MAX ALLOWABLE LATERAL LOAD	MAX ALLOWABLE UPLIFT	MAX ALLOWABLE LATERAL LOAD	MAX ALLOWABLE UPLIFT	MAX ALLOWABLE LATERAL LOAD	MAX ALLOWABLE UPLIFT					
18"	30"	2160 in ²	200.0 PSF	157.8 PSF	200.0 PSF	157.8 PSF	200.0 PSF	157.8 PSF	188.2 PSF	148.6 PSF	188.2 PSF	148.6 PSF	141.1 PSF	111.4 PSF	141.1 PSF	111.4 PSF	111.4 PSF	86.9 PSF	360.40 LB-FT	388.2 LB	982.5 LB	688.6 LB
24"			200.0 PSF	157.8 PSF	200.0 PSF	157.8 PSF	183.6 PSF	144.9 PSF	183.6 PSF	144.9 PSF	146.9 PSF	115.9 PSF	146.9 PSF	115.9 PSF	110.1 PSF	86.9 PSF	110.1 PSF	86.9 PSF	360.40 LB-FT	302.9 LB	867.4 LB	668.0 LB
30"			181.1 PSF	143.0 PSF	181.1 PSF	143.0 PSF	150.9 PSF	119.1 PSF	150.9 PSF	119.1 PSF	120.7 PSF	95.3 PSF	120.7 PSF	95.3 PSF	90.5 PSF	71.5 PSF	90.5 PSF	71.5 PSF	360.40 LB-FT	249.0 LB	795.9 LB	656.2 LB
18"	40"	3600 in ²	125.0 PSF	96.6 PSF	125.0 PSF	96.6 PSF	125.0 PSF	96.6 PSF	115.5 PSF	91.2 PSF	115.5 PSF	91.2 PSF	86.6 PSF	68.4 PSF	86.6 PSF	68.4 PSF	68.4 PSF	53.4 PSF	360.40 LB-FT	388.2 LB	1081.3 LB	805.5 LB
24"			125.0 PSF	96.6 PSF	125.0 PSF	96.6 PSF	112.7 PSF	89.0 PSF	112.7 PSF	89.0 PSF	90.1 PSF	71.2 PSF	90.1 PSF	71.2 PSF	67.6 PSF	53.4 PSF	67.6 PSF	53.4 PSF	360.40 LB-FT	302.9 LB	944.5 LB	759.2 LB
30"			111.2 PSF	87.8 PSF	111.2 PSF	87.8 PSF	92.6 PSF	73.1 PSF	92.6 PSF	73.1 PSF	74.1 PSF	58.5 PSF	74.1 PSF	58.5 PSF	55.6 PSF	43.9 PSF	55.6 PSF	43.9 PSF	360.40 LB-FT	249.0 LB	859.3 LB	731.2 LB
18"	50"	5400 in ²	83.1 (117.2) PSF	92.5 PSF	83.1 (117.2) PSF	92.5 PSF	83.1 (97.6) PSF	77.1 PSF	83.1 (97.6) PSF	77.1 PSF	78.1 PSF	61.6 PSF	78.1 PSF	61.6 PSF	58.6 PSF	46.2 PSF	58.6 PSF	46.2 PSF	360.40 LB-FT	388.2 LB	1189.1 LB	919.0 LB
24"			83.1 (91.4) PSF	72.2 PSF	83.1 (91.4) PSF	72.2 PSF	76.2 PSF	60.1 PSF	76.2 PSF	60.1 PSF	60.9 PSF	48.1 PSF	60.9 PSF	48.1 PSF	45.7 PSF	36.1 PSF	45.7 PSF	36.1 PSF	360.40 LB-FT	302.9 LB	1026.5 LB	847.8 LB
30"			75.1 PSF	59.3 PSF	75.1 PSF	59.3 PSF	62.6 PSF	49.4 PSF	62.6 PSF	49.4 PSF	50.1 PSF	39.5 PSF	50.1 PSF	39.5 PSF	37.5 PSF	29.6 PSF	37.5 PSF	29.6 PSF	360.40 LB-FT	249.0 LB	924.9 LB	804.0 LB
18"	60"	7560 in ²	54.2 (84.5) PSF	66.7 PSF	54.2 (84.5) PSF	66.7 PSF	54.2 (70.4) PSF	55.6 PSF	54.2 (70.4) PSF	55.6 PSF	54.2 (56.3) PSF	44.4 PSF	54.2 (56.3) PSF	44.4 PSF	42.2 PSF	33.3 PSF	42.2 PSF	33.3 PSF	360.40 LB-FT	388.2 LB	1293.1 LB	1030.7 LB
24"			54.2 (65.9) PSF	52.0 PSF	54.2 (65.9) PSF	52.0 PSF	54.2 (54.9) PSF	43.3 PSF	54.2 (54.9) PSF	43.3 PSF	43.9 PSF	34.7 PSF	43.9 PSF	34.7 PSF	32.9 PSF	26.0 PSF	32.9 PSF	26.0 PSF	360.40 LB-FT	302.9 LB	1107.6 LB	935.0 LB
30"			54.2 (54.2) PSF	42.8 PSF	54.2 (54.2) PSF	42.8 PSF	45.1 PSF	35.6 PSF	45.1 PSF	35.6 PSF	36.1 PSF	28.5 PSF	36.1 PSF	28.5 PSF	27.1 PSF	21.4 PSF	27.1 PSF	21.4 PSF	360.40 LB-FT	249.0 LB	991.6 LB	875.6 LB

36" STAND DEPTH MINIMUM: MAX FACE AREA (1440in² - 5040in²), FRAME QUANTITY (2-5 FRAMES)

STAND CLEAR HEIGHT	MAX MEAN UNIT HEIGHT	MAX FACE AREA	UNIT TO FRAME RATIO																LOAD TRANSFER INFORMATION FOR USE WITH HOST STRUCTURE VERIFICATION ONLY			
			MAX FACE AREA : 5 FRAMES				MAX FACE AREA : 4 FRAMES				MAX FACE AREA : 3 FRAMES				MAX FACE AREA : 2 FRAMES				MAX. BASE MOMENT (M)	MAX. BASE SHEAR (V)	MAX. BASE UPLIFT (T)	MAX. BASE GRAVITY (C)
			ANCHOR TYPE: 1 OR 4		ANCHORS TYPE: 2 OR 3		ANCHOR TYPE: 1 OR 4		ANCHORS TYPE: 2 OR 3		ANCHOR TYPE: 1 OR 4		ANCHORS TYPE: 2 OR 3		ANCHOR TYPE: 1 OR 4		ANCHORS TYPE: 2 OR 3					
MAX ALLOWABLE LATERAL LOAD	MAX ALLOWABLE UPLIFT	MAX ALLOWABLE LATERAL LOAD	MAX ALLOWABLE UPLIFT	MAX ALLOWABLE LATERAL LOAD	MAX ALLOWABLE UPLIFT	MAX ALLOWABLE LATERAL LOAD	MAX ALLOWABLE UPLIFT	MAX ALLOWABLE LATERAL LOAD														

"HD" STAND DESIGN SCHEDULE CONTINUED

36" STAND DEPTH MINIMUM: MAX FACE AREA (720in² - 2520in²), FRAME QUANTITY (2-3 FRAMES)

STAND CLEAR HEIGHT	MAX MEAN UNIT HEIGHT	MAX FACE AREA	UNIT TO FRAME RATIO								LOAD TRANSFER INFORMATION FOR USE WITH HOST STRUCTURE VERIFICATION ONLY			
			MAX FACE AREA : 3 FRAMES				MAX FACE AREA : 2 FRAMES				MAX. BASE MOMENT (M)	MAX. BASE SHEAR (V)	MAX. BASE UPLIFT (T)	MAX. BASE GRAVITY (C)
			ANCHOR TYPE: 1 OR 4		ANCHOR TYPE: 2 OR 3		ANCHOR TYPE: 1 OR 4		ANCHOR TYPE: 2 OR 3					
MAX ALLOWABLE LATERAL LOAD	MAX ALLOWABLE UPLIFT	MAX ALLOWABLE LATERAL LOAD	MAX ALLOWABLE UPLIFT	MAX ALLOWABLE LATERAL LOAD	MAX ALLOWABLE UPLIFT	MAX ALLOWABLE LATERAL LOAD	MAX ALLOWABLE UPLIFT	MAX ALLOWABLE LATERAL LOAD	MAX ALLOWABLE UPLIFT					
18"	30"	720 in ²	200.0 PSF	157.8 PSF	200.0 PSF	157.8 PSF	200.0 PSF	157.8 PSF	200.0 PSF	157.8 PSF	255.30 LB-FT	274.9 LB	696.6 LB	459.6 LB
24"			200.0 PSF	157.8 PSF	200.0 PSF	157.8 PSF	200.0 PSF	157.8 PSF	200.0 PSF	157.8 PSF	327.10 LB-FT	274.9 LB	788.3 LB	551.2 LB
30"			200.0 PSF	157.8 PSF	200.0 PSF	157.8 PSF	181.1 PSF	143.0 PSF	181.1 PSF	143.0 PSF	360.40 LB-FT	249.0 LB	795.9 LB	588.7 LB
18"	40"	1200 in ²	125.0 PSF	98.6 PSF	125.0 PSF	98.6 PSF	125.0 PSF	98.6 PSF	125.0 PSF	98.6 PSF	259.90 LB-FT	279.9 LB	780.6 LB	551.0 LB
24"			125.0 PSF	98.6 PSF	125.0 PSF	98.6 PSF	125.0 PSF	98.6 PSF	125.0 PSF	98.6 PSF	333.00 LB-FT	279.9 LB	873.9 LB	644.3 LB
30"			125.0 PSF	98.6 PSF	125.0 PSF	98.6 PSF	111.2 PSF	87.8 PSF	111.2 PSF	87.8 PSF	360.40 LB-FT	249.0 LB	859.3 LB	663.7 LB
18"	50"	1800 in ²	83.1 (122.8) PSF	138.8 PSF	83.1 (122.8) PSF	138.8 PSF	83.1 (117.2) PSF	92.5 PSF	83.1 (117.2) PSF	92.5 PSF	360.40 LB-FT	388.2 LB	1192.9 LB	851.5 LB
24"			83.1 (122.8) PSF	108.3 PSF	83.1 (122.8) PSF	108.3 PSF	83.1 (91.4) PSF	72.2 PSF	83.1 (91.4) PSF	72.2 PSF	360.40 LB-FT	302.9 LB	1030.2 LB	780.3 LB
30"			83.1 (112.7) PSF	89.0 PSF	83.1 (112.7) PSF	89.0 PSF	75.1 PSF	59.3 PSF	75.1 PSF	59.3 PSF	360.40 LB-FT	249.0 LB	928.6 LB	736.5 LB
18"	60"	2520 in ²	54.2 (93.9) PSF	98.6 PSF	54.2 (93.9) PSF	98.6 PSF	54.2 (84.5) PSF	66.7 PSF	54.2 (84.5) PSF	66.7 PSF	360.40 LB-FT	388.2 LB	1293.1 LB	963.2 LB
24"			54.2 (93.9) PSF	78.1 PSF	54.2 (93.9) PSF	78.1 PSF	54.2 (65.9) PSF	52.0 PSF	54.2 (65.9) PSF	52.0 PSF	360.40 LB-FT	302.9 LB	1111.4 LB	867.5 LB
30"			54.2 (81.3) PSF	64.2 PSF	54.2 (81.3) PSF	64.2 PSF	54.2 (54.2) PSF	42.8 PSF	54.2 (54.2) PSF	42.8 PSF	360.40 LB-FT	249.0 LB	995.3 LB	808.1 LB

DESIGN SCHEDULE NOTES:

1. MAXIMUM CALCULATED FACE AREA SHALL BE EQUAL TO OR LESS THAN THE MAXIMUM ALLOWABLE FACE AREA FOR EACH CONFIGURATION.
2. REFERENCE ANCHOR SCHEDULE FOR ANCHOR TYPES LISTED HEREIN.

42" STAND DEPTH MINIMUM: MAX FACE AREA (3600in² - 12600in²), FRAME QUANTITY (5-8 FRAMES)

STAND CLEAR HEIGHT	MAX MEAN UNIT HEIGHT	MAX FACE AREA	UNIT TO FRAME RATIO												LOAD TRANSFER INFORMATION FOR USE WITH HOST STRUCTURE VERIFICATION ONLY							
			MAX FACE AREA : 8 FRAMES				MAX FACE AREA : 7 FRAMES				MAX FACE AREA : 6 FRAMES				MAX FACE AREA : 5 FRAMES				MAX. BASE MOMENT (M)	MAX. BASE SHEAR (V)	MAX. BASE UPLIFT (T)	MAX. BASE GRAVITY (C)
			ANCHOR TYPE: 1 OR 4		ANCHORS TYPE: 2 OR 3		ANCHOR TYPE: 1 OR 4		ANCHORS TYPE: 2 OR 3		ANCHOR TYPE: 1 OR 4		ANCHORS TYPE: 2 OR 3		ANCHOR TYPE: 1 OR 4		ANCHORS TYPE: 2 OR 3					
MAX ALLOWABLE LATERAL LOAD	MAX ALLOWABLE UPLIFT	MAX ALLOWABLE LATERAL LOAD	MAX ALLOWABLE UPLIFT	MAX ALLOWABLE LATERAL LOAD	MAX ALLOWABLE UPLIFT	MAX ALLOWABLE LATERAL LOAD	MAX ALLOWABLE UPLIFT	MAX ALLOWABLE LATERAL LOAD	MAX ALLOWABLE UPLIFT	MAX ALLOWABLE LATERAL LOAD	MAX ALLOWABLE UPLIFT	MAX ALLOWABLE LATERAL LOAD	MAX ALLOWABLE UPLIFT	MAX ALLOWABLE LATERAL LOAD	MAX ALLOWABLE UPLIFT	MAX ALLOWABLE LATERAL LOAD	MAX ALLOWABLE UPLIFT					
18"	30"	3600 in ²	198.0 PSF	156.3 PSF	198.0 PSF	156.3 PSF	193.1 PSF	152.4 PSF	193.1 PSF	152.4 PSF	165.5 PSF	130.6 PSF	165.5 PSF	130.6 PSF	137.9 PSF	108.9 PSF	137.9 PSF	108.9 PSF	360.40 LB-FT	379.3 LB	852.0 LB	567.5 LB
24"			172.6 PSF	136.3 PSF	172.6 PSF	136.3 PSF	151.0 PSF	119.2 PSF	151.0 PSF	119.2 PSF	129.5 PSF	102.2 PSF	129.5 PSF	102.2 PSF	107.9 PSF	85.2 PSF	107.9 PSF	85.2 PSF	360.40 LB-FT	296.7 LB	749.9 LB	558.1 LB
30"			142.2 PSF	112.3 PSF	142.2 PSF	112.3 PSF	124.4 PSF	98.2 PSF	124.4 PSF	98.2 PSF	106.7 PSF	84.2 PSF	106.7 PSF	84.2 PSF	88.9 PSF	70.1 PSF	88.9 PSF	70.1 PSF	360.40 LB-FT	244.5 LB	685.2 LB	553.5 LB
18"	40"	6000 in ²	125.0 PSF	98.6 PSF	125.0 PSF	98.6 PSF	118.5 PSF	93.6 PSF	118.5 PSF	93.6 PSF	101.6 PSF	80.2 PSF	101.6 PSF	80.2 PSF	84.6 PSF	66.8 PSF	84.6 PSF	66.8 PSF	360.40 LB-FT	379.3 LB	933.5 LB	666.7 LB
24"			106.0 PSF	83.6 PSF	106.0 PSF	83.6 PSF	92.7 PSF	73.2 PSF	92.7 PSF	73.2 PSF	79.5 PSF	62.7 PSF	79.5 PSF	62.7 PSF	66.2 PSF	52.3 PSF	66.2 PSF	52.3 PSF	360.40 LB-FT	296.7 LB	813.6 LB	635.7 LB
30"			87.3 PSF	68.9 PSF	87.3 PSF	68.9 PSF	76.4 PSF	60.3 PSF	76.4 PSF	60.3 PSF	65.5 PSF	51.7 PSF	65.5 PSF	51.7 PSF	54.5 PSF	43.0 PSF	54.5 PSF	43.0 PSF	360.40 LB-FT	244.5 LB	737.7 LB	617.4 LB
18"	50"	9000 in ²	83.1 (91.6) PSF	72.3 PSF	83.1 (91.6) PSF	72.3 PSF	80.1 PSF	63.2 PSF	80.1 PSF	63.2 PSF	68.7 PSF	54.2 PSF	68.7 PSF	54.2 PSF	57.2 PSF	45.2 PSF	57.2 PSF	45.2 PSF	360.40 LB-FT	379.3 LB	1020.3 LB	762.5 LB
24"			71.6 PSF	56.5 PSF	71.6 PSF	56.5 PSF	62.7 PSF	49.5 PSF	62.7 PSF	49.5 PSF	53.7 PSF	42.4 PSF	53.7 PSF	42.4 PSF	44.7 PSF	35.3 PSF	44.7 PSF	35.3 PSF	360.40 LB-FT	296.7 LB	880.0 LB	710.7 LB
30"			59.0 PSF	46.6 PSF	59.0 PSF	46.6 PSF	51.6 PSF	40.7 PSF	51.6 PSF	40.7 PSF	46.6 PSF	34.9 PSF	46.6 PSF	34.9 PSF	36.9 PSF	29.1 PSF	36.9 PSF	29.1 PSF	360.40 LB-FT	244.5 LB	792.4 LB	679.2 LB
18"	60"	12600 in ²	59.2 (66) PSF	52.1 PSF	59.2 (66) PSF	52.1 PSF	57.8 PSF	45.6 PSF	57.8 PSF	45.6 PSF	49.5 PSF	39.1 PSF	49.5 PSF	39.1 PSF	41.2 PSF	32.5 PSF	41.2 PSF	32.5 PSF	360.40 LB-FT	379.3 LB	1106.8 LB	856.6 LB
24"			51.6 PSF	40.8 PSF	51.6 PSF	40.8 PSF	45.2 PSF	35.7 PSF	45.2 PSF	35.7 PSF	38.7 PSF	30.6 PSF	38.7 PSF	30.6 PSF	32.3 PSF	25.5 PSF	32.3 PSF	25.5 PSF	360.40 LB-FT	296.7 LB	947.7 LB	784.3 LB
30"			42.5 PSF	33.6 PSF	42.5 PSF	33.6 PSF	37.2 PSF	29.4 PSF	37.2 PSF	29.4 PSF	31.9 PSF	25.2 PSF	31.9 PSF	25.2 PSF	26.6 PSF	21.0 PSF	26.6 PSF	21.0 PSF	360.40 LB-FT	244.5 LB	848.2 LB	739.8 LB

42" STAND DEPTH MINIMUM: MAX FACE AREA (2880in² - 10080in²), FRAME QUANTITY (4-7 FRAMES)

STAND CLEAR HEIGHT	MAX MEAN UNIT HEIGHT	MAX FACE AREA	UNIT TO FRAME RATIO												LOAD TRANSFER INFORMATION FOR USE WITH HOST STRUCTURE VERIFICATION ONLY							
			MAX FACE AREA : 7 FRAMES				MAX FACE AREA : 6 FRAMES				MAX FACE AREA : 5 FRAMES				MAX FACE AREA : 4 FRAMES				MAX. BASE MOMENT (M)	MAX. BASE SHEAR (V)	MAX. BASE UPLIFT (T)	MAX. BASE GRAVITY (C)
			ANCHOR TYPE: 1 OR 4		ANCHORS TYPE: 2 OR 3		ANCHOR TYPE: 1 OR 4		ANCHORS TYPE: 2 OR 3		ANCHOR TYPE: 1 OR 4		ANCHORS TYPE: 2 OR 3		ANCHOR TYPE: 1 OR 4		ANCHORS TYPE: 2 OR 3					
MAX ALLOWABLE LATERAL LOAD	MAX ALLOWABLE UPLIFT	MAX ALLOWABLE LATERAL LOAD	MAX ALLOWABLE UPLIFT	MAX ALLOWABLE LATERAL LOAD	MAX ALLOWABLE UPLIFT	MAX ALLOWABLE LATERAL LOAD	MAX ALLOWABLE UPLIFT	MAX ALLOWABLE LATERAL LOAD	MAX ALLOWABLE UPLIFT	MAX ALLOWABLE LATERAL LOAD	MAX ALLOWABLE UPLIFT	MAX ALLOWABLE LATERAL LOAD	MAX ALLOWABLE UPLIFT	MAX ALLOWABLE LATERAL LOAD	MAX ALLOWABLE UPLIFT	MAX ALLOWABLE LATERAL LOAD	MAX ALLOWABLE UPLIFT					
18"	30"	2880 in ²	198.0 PSF	156.3 PSF	198.0 PSF	156.3 PSF	198.0 PSF	156.3 PSF	198.0 PSF	156.3 PSF	172.4 PSF	136.1 PSF	172.4 PSF	136.1 PSF	137.9 PSF	108.9 PSF	137.9 PSF	108.9 PSF	360.40 LB-FT	379.3 LB	850.1 LB	567.5 LB
24"			188.8 PSF	149.1 PSF	188.8 PSF	149.1 PSF	161.8 PSF	127.8 PSF	161.8 PSF	127.8 PSF	134.9 PSF	106.5 PSF	134.9 PSF	106.5 PSF	107.9 PSF	85.2 PSF	107.9 PSF	85.2 PSF	360.40 LB-FT	296.7 LB	751.1 LB	558.1 LB
30"			155.6 PSF	122.8 PSF	155.6 PSF	122.8 PSF	133.3 PSF	105.2 PSF	133.3 PSF	105.2 PSF	111.1 PSF	87.7 PSF	111.1 PSF	87.7 PSF	88.9 PSF	70.1 PSF	88.9 PSF	70.1 PSF	360.40 LB-FT	244.5 LB	686.4 LB	553.5 LB
18"	40"	4800 in ²	125.0 PSF	98.6 PSF	125.0 PSF	98.6 PSF	125.0 PSF	98.6 PSF	125.0 PSF	98.6 PSF	105.8 PSF	83.5 PSF	105.8 PSF	83.5 PSF	84.6 PSF	66.8 PSF	84.6 PSF	66.8 PSF	360.40 LB-FT	379.3 LB	931.5 LB	666.7 LB
24"			115.9 PSF	91.5 PSF	115.9 PSF	91.5 PSF	99.3 PSF	78.4 PSF	99.3 PSF	78.4 PSF	82.8 PSF	65.3 PSF	82.8 PSF	65.3 PSF	66.2 PSF	52.3 PSF	66.2 PSF	52.3 PSF	360.40 LB-FT	296.7 LB	814.8 LB	635.7 LB
30"			95.5 PSF	75.4 PSF	95.5 PSF	75.4 PSF	81.8 PSF	64.6 PSF	81.8 PSF	64.6 PSF	68.2 PSF	53.8 PSF	68.2 PSF	53.8 PSF	54.5 PSF	43.0 PSF	54.5 PSF	43.0 PSF	360.40 LB-FT	244.5 LB	738.9 LB	617.4 LB
18"	50"	7200 in ²	83.1 (100.2) PSF	79.1 PSF	83.1 (100.2) PSF	79.1 PSF	83.1 (85.8) PSF	67.8 PSF	83.1 (85.8) PSF	67.8 PSF	71.5 PSF	56.5 PSF	71.5 PSF	56.5 PSF	57.2 PSF	45.2 PSF	57.2 PSF	45.2 PSF	360.40 LB-FT	379.3 LB	1021.5 LB	762.5 LB
24"			78.3 PSF	61.8 PSF	78.3 PSF	61.8 PSF	67.1 PSF	53.0 PSF	67.1 PSF	53.0 PSF	55.9 PSF	44.2 PSF	55.9 PSF	44.2 PSF	44.7 PSF	35.3 PSF	44.7 PSF	35.3 PSF	360.40 LB-FT	296.7 LB	881.2 LB	710.7 LB
30"			64.5 PSF	50.9 PSF	64.5 PSF	50.9 PSF	55.3 PSF	43.7 PSF	55.3 PSF	43.7 PSF	43.7 PSF	36.4 PSF	43.7 PSF	36.4 PSF	36.9 PSF	29.1 PSF	36.9 PSF	29.1 PSF	360.40 LB-FT	244.5 LB	793.6 LB	679.2 LB
18"	60"	10080 in ²	59.2 (72.2) PSF	57.0 PSF	59.2 (72.2) PSF	57.0 PSF	59.2 (61.9) PSF	48.8 PSF	59.2 (61.9) PSF	48.8 PSF	51.6 PSF	40.7 PSF	51.6 PSF	40.7 PSF	41.2 PSF	32.5 PSF	41.2 PSF	32.5 PSF	360.40 LB-FT	379.3 LB	1108.1 LB	856.6 LB
24"			56.5 PSF	44.6 PSF	56.5 PSF	44.6 PSF	48.4 PSF	38.2 PSF	48.4 PSF	38.2 PSF	40.3 PSF	31.8 PSF	40.3 PSF	31.8 PSF	32.3 PSF	25.5 PSF	32.3 PSF	25.5 PSF	360.40 LB-FT	296.7 LB	948.9 LB	784.3 LB
30"			46.5 PSF	36.7 PSF	46.5 PSF	36.7 PSF	39.9 PSF	31.5 PSF	39.9 PSF	31.5 PSF	33.2 PSF	26.2 PSF	33.2 PSF	26.2 PSF	26.6 PSF	21.0 PSF	26.6 PSF	21.0 PSF	360.40 LB-FT	244.5 LB	849.4 LB	739.8 LB

42" STAND DEPTH MINIMUM: MAX FACE AREA (2160in² - 7560in²), FRAME QUANTITY (3-6 FRAMES)

STAND CLEAR HEIGHT	MAX MEAN UNIT HEIGHT	MAX FACE AREA	UNIT TO FRAME RATIO												LOAD TRANSFER INFORMATION FOR USE WITH HOST STRUCTURE VERIFICATION ONLY							
			MAX FACE AREA : 6 FRAMES				MAX FACE AREA : 5 FRAMES				MAX FACE AREA : 4 FRAMES				MAX FACE AREA : 3 FRAMES				MAX. BASE MOMENT (M)	MAX. BASE SHEAR (V)	MAX. BASE UPLIFT (T)	MAX. BASE GRAVITY (C)
			ANCHOR TYPE: 1 OR 4		ANCHORS TYPE: 2 OR 3		ANCHOR TYPE: 1 OR 4		ANCHORS TYPE: 2 OR 3		ANCHOR TYPE: 1 OR 4		ANCHORS TYPE: 2 OR 3		ANCHOR TYPE: 1 OR 4		ANCHORS TYPE: 2 OR 3					
MAX ALLOWABLE LATERAL LOAD	MAX ALLOWABLE UPLIFT	MAX ALLOWABLE LATERAL LOAD	MAX ALLOWABLE UPLIFT	MAX ALLOWABLE LATERAL LOAD	MAX ALLOWABLE UPLIFT	MAX ALLOWABLE LATERAL LOAD	MAX ALLOWABLE UPLIFT	MAX ALLOWABLE LATERAL LOAD	MAX ALLOWABLE UPLIFT	MAX ALLOWABLE LATERAL LOAD	MAX ALLOWABLE UPLIFT	MAX ALLOWABLE LATERAL LOAD	MAX ALLOWABLE UPLIFT	MAX ALLOWABLE LATERAL LOAD	MAX ALLOWABLE UPLIFT	MAX ALLOWABLE LATERAL LOAD	MAX ALLOWABLE UPLIFT					
18"	30"	2160 in ²	198.0 PSF	156.3 PSF	198.0 PSF	156.3 PSF	198.0 PSF	156.3 PSF	198.0 PSF	156.3 PSF	183.9 PSF	145.2 PSF	183.9 PSF	145.2 PSF	137.9 PSF	108.9 PSF	137.9 PSF	108.9 PSF	360.40 LB-FT	379.3 LB	851.2 LB	567.5 LB
24"			198.0 PSF	156.3 PSF	198.0 PSF	156.3 PSF	179.8 PSF	142.0 PSF	179.8 PSF	142.0 PSF	143.9 PSF	113.6 PSF	143.9 PSF	113.6 PSF	107.9 PSF	85.2 PSF	107.9 PSF	85.2 PSF	360.40 LB-FT	296.7 LB	750.5 LB	558.1 LB
30"			177.8 PSF	140.3 PSF	177.8 PSF	140.3 PSF	148.1 PSF	116.9 PSF	148.1 PSF	116.9 PSF	118.5 PSF	93.5 PSF	118.5 PSF	93.5 PSF	88.9 PSF	70.1 PSF	88.9 PSF	70.1 PSF	360.40 LB-FT	244.5 LB	688.0 LB	553.5 LB
18"	40"	3600 in ²	125.0 PSF	98.6 PSF	125.0 PSF	98.6 PSF	125.0 PSF	98.6 PSF	125.0 PSF	98.6 PSF	112.9 PSF	89.1 PSF	112.9 PSF	89.1 PSF	84.6 PSF	66.8 PSF	84.6 PSF	66.8 PSF	360.40 LB-FT	379.3 LB	932.7 LB	666.7 LB
24"			125.0 PSF	98.6 PSF	125.0 PSF	98.6 PSF	110.4 PSF															

"HD" STAND DESIGN SCHEDULE CONTINUED

42" STAND DEPTH MINIMUM: MAX FACE AREA (1440in² - 5040in²), FRAME QUANTITY (2-5 FRAMES)

STAND CLEAR HEIGHT	MAX MEAN UNIT HEIGHT	MAX FACE AREA	UNIT TO FRAME RATIO																LOAD TRANSFER INFORMATION FOR USE WITH HOST STRUCTURE VERIFICATION ONLY				
			MAX FACE AREA : 5 FRAMES				MAX FACE AREA : 4 FRAMES				MAX FACE AREA : 3 FRAMES				MAX FACE AREA : 2 FRAMES				MAX. BASE MOMENT (M)	MAX. BASE SHEAR (V)	MAX. BASE UPLIFT (T)	MAX. BASE GRAVITY (C)	
			ANCHOR TYPE: 1 OR 4		ANCHORS TYPE: 2 OR 3		ANCHOR TYPE: 1 OR 4		ANCHORS TYPE: 2 OR 3		ANCHOR TYPE: 1 OR 4		ANCHORS TYPE: 2 OR 3		ANCHOR TYPE: 1 OR 4		ANCHORS TYPE: 2 OR 3						
MAX ALLOWABLE LATERAL LOAD	MAX ALLOWABLE UPLIFT	MAX ALLOWABLE LATERAL LOAD	MAX ALLOWABLE UPLIFT	MAX ALLOWABLE LATERAL LOAD	MAX ALLOWABLE UPLIFT	MAX ALLOWABLE LATERAL LOAD	MAX ALLOWABLE UPLIFT	MAX ALLOWABLE LATERAL LOAD	MAX ALLOWABLE UPLIFT	MAX ALLOWABLE LATERAL LOAD	MAX ALLOWABLE UPLIFT	MAX ALLOWABLE LATERAL LOAD	MAX ALLOWABLE UPLIFT	MAX ALLOWABLE LATERAL LOAD	MAX ALLOWABLE UPLIFT	MAX ALLOWABLE LATERAL LOAD	MAX ALLOWABLE UPLIFT						
18"	30"	1440 in ²	198.0 PSF	156.3 PSF	198.0 PSF	156.3 PSF	198.0 PSF	156.3 PSF	198.0 PSF	156.3 PSF	198.0 PSF	156.3 PSF	198.0 PSF	156.3 PSF	137.9 PSF	108.9 PSF	137.9 PSF	108.9 PSF	360.40 LB-FT	379.3 LB	845.6 LB	567.5 LB	
24"			198.0 PSF	156.3 PSF	198.0 PSF	156.3 PSF	198.0 PSF	156.3 PSF	198.0 PSF	156.3 PSF	198.0 PSF	156.3 PSF	198.0 PSF	156.3 PSF	161.8 PSF	127.8 PSF	161.8 PSF	127.8 PSF	360.40 LB-FT	296.7 LB	749.0 LB	558.1 LB	
30"			198.0 PSF	156.3 PSF	198.0 PSF	156.3 PSF	177.8 PSF	140.3 PSF	177.8 PSF	140.3 PSF	133.3 PSF	105.2 PSF	133.3 PSF	105.2 PSF	88.9 PSF	70.1 PSF	88.9 PSF	70.1 PSF	360.40 LB-FT	244.5 LB	688.0 LB	553.5 LB	
18"	40"	2400 in ²	125.0 PSF	98.6 PSF	125.0 PSF	98.6 PSF	125.0 PSF	98.6 PSF	125.0 PSF	98.6 PSF	125.0 PSF	98.6 PSF	125.0 PSF	98.6 PSF	98.6 PSF	66.8 PSF	84.6 PSF	66.8 PSF	84.6 PSF	360.40 LB-FT	379.3 LB	927.0 LB	666.7 LB
24"			125.0 PSF	98.6 PSF	125.0 PSF	98.6 PSF	125.0 PSF	98.6 PSF	125.0 PSF	98.6 PSF	125.0 PSF	98.6 PSF	125.0 PSF	98.6 PSF	99.3 PSF	78.4 PSF	99.3 PSF	78.4 PSF	360.40 LB-FT	296.7 LB	812.7 LB	635.7 LB	
30"			125.0 PSF	98.6 PSF	125.0 PSF	98.6 PSF	109.1 PSF	86.1 PSF	109.1 PSF	86.1 PSF	81.8 PSF	64.6 PSF	81.8 PSF	64.6 PSF	54.5 PSF	43.0 PSF	54.5 PSF	43.0 PSF	360.40 LB-FT	244.5 LB	740.5 LB	617.4 LB	
18"	50"	3600 in ²	83.1 (122.8) PSF	113.0 PSF	83.1 (122.8) PSF	113.0 PSF	83.1 (114.5) PSF	90.4 PSF	83.1 (114.5) PSF	90.4 PSF	83.1 (85.8) PSF	67.8 PSF	83.1 (85.8) PSF	67.8 PSF	57.2 PSF	45.2 PSF	57.2 PSF	45.2 PSF	360.40 LB-FT	379.3 LB	1025.4 LB	762.5 LB	
24"			83.1 (111.9) PSF	88.4 PSF	83.1 (111.9) PSF	88.4 PSF	83.1 (89.5) PSF	70.7 PSF	83.1 (89.5) PSF	70.7 PSF	67.1 PSF	53.0 PSF	67.1 PSF	53.0 PSF	44.7 PSF	35.3 PSF	44.7 PSF	35.3 PSF	360.40 LB-FT	296.7 LB	885.0 LB	710.7 LB	
30"			83.1 (92.2) PSF	72.8 PSF	83.1 (92.2) PSF	72.8 PSF	73.8 PSF	58.2 PSF	73.8 PSF	58.2 PSF	55.3 PSF	43.7 PSF	55.3 PSF	43.7 PSF	36.9 PSF	29.1 PSF	36.9 PSF	29.1 PSF	360.40 LB-FT	244.5 LB	797.4 LB	679.2 LB	
18"	60"	5040 in ²	59.2 (98.9) PSF	81.4 PSF	59.2 (98.9) PSF	81.4 PSF	59.2 (82.5) PSF	65.1 PSF	59.2 (82.5) PSF	65.1 PSF	59.2 (61.9) PSF	48.8 PSF	59.2 (61.9) PSF	48.8 PSF	41.2 PSF	32.5 PSF	41.2 PSF	32.5 PSF	360.40 LB-FT	379.3 LB	1111.9 LB	856.6 LB	
24"			59.2 (80.7) PSF	63.7 PSF	59.2 (80.7) PSF	63.7 PSF	59.2 (64.6) PSF	51.0 PSF	59.2 (64.6) PSF	51.0 PSF	48.4 PSF	38.2 PSF	48.4 PSF	38.2 PSF	32.3 PSF	25.5 PSF	32.3 PSF	25.5 PSF	360.40 LB-FT	296.7 LB	952.8 LB	784.3 LB	
30"			59.2 (66.5) PSF	52.5 PSF	59.2 (66.5) PSF	52.5 PSF	53.2 PSF	42.0 PSF	53.2 PSF	42.0 PSF	39.9 PSF	31.5 PSF	39.9 PSF	31.5 PSF	26.6 PSF	21.0 PSF	26.6 PSF	21.0 PSF	360.40 LB-FT	244.5 LB	853.2 LB	739.8 LB	

42" STAND DEPTH MINIMUM: MAX FACE AREA (720in² - 2520in²), FRAME QUANTITY (2-3 FRAMES)

STAND CLEAR HEIGHT	MAX MEAN UNIT HEIGHT	MAX FACE AREA	UNIT TO FRAME RATIO								LOAD TRANSFER INFORMATION FOR USE WITH HOST STRUCTURE VERIFICATION ONLY			
			MAX FACE AREA : 3 FRAMES				MAX FACE AREA : 2 FRAMES				MAX. BASE MOMENT (M)	MAX. BASE SHEAR (V)	MAX. BASE UPLIFT (T)	MAX. BASE GRAVITY (C)
			ANCHOR TYPE: 1 OR 4		ANCHOR TYPE: 2 OR 3		ANCHOR TYPE: 1 OR 4		ANCHOR TYPE: 2 OR 3					
MAX ALLOWABLE LATERAL LOAD	MAX ALLOWABLE UPLIFT	MAX ALLOWABLE LATERAL LOAD	MAX ALLOWABLE UPLIFT	MAX ALLOWABLE LATERAL LOAD	MAX ALLOWABLE UPLIFT	MAX ALLOWABLE LATERAL LOAD	MAX ALLOWABLE UPLIFT	MAX ALLOWABLE LATERAL LOAD	MAX ALLOWABLE UPLIFT					
18"	30"	720 in ²	198.0 PSF	156.3 PSF	198.0 PSF	156.3 PSF	198.0 PSF	156.3 PSF	198.0 PSF	156.3 PSF	258.70 LB-FT	272.3 LB	611.9 LB	377.9 LB
24"			198.0 PSF	156.3 PSF	198.0 PSF	156.3 PSF	198.0 PSF	156.3 PSF	198.0 PSF	156.3 PSF	330.70 LB-FT	272.3 LB	689.7 LB	455.7 LB
30"			198.0 PSF	156.3 PSF	198.0 PSF	156.3 PSF	177.8 PSF	140.3 PSF	177.8 PSF	140.3 PSF	360.40 LB-FT	244.5 LB	688.0 LB	486.0 LB
18"	40"	1200 in ²	125.0 PSF	98.6 PSF	125.0 PSF	98.6 PSF	125.0 PSF	98.6 PSF	125.0 PSF	98.6 PSF	266.00 LB-FT	279.9 LB	689.5 LB	459.9 LB
24"			125.0 PSF	98.6 PSF	125.0 PSF	98.6 PSF	125.0 PSF	98.6 PSF	125.0 PSF	98.6 PSF	340.00 LB-FT	279.9 LB	769.5 LB	539.8 LB
30"			125.0 PSF	98.6 PSF	125.0 PSF	98.6 PSF	109.1 PSF	86.1 PSF	109.1 PSF	86.1 PSF	360.40 LB-FT	244.5 LB	740.5 LB	549.9 LB
18"	50"	1800 in ²	83.1 (122.8) PSF	119.0 PSF	83.1 (122.8) PSF	119.0 PSF	83.1 (114.5) PSF	90.4 PSF	83.1 (114.5) PSF	90.4 PSF	360.40 LB-FT	379.3 LB	1023.1 LB	695.0 LB
24"			83.1 (122.8) PSF	106.1 PSF	83.1 (122.8) PSF	106.1 PSF	83.1 (89.5) PSF	70.7 PSF	83.1 (89.5) PSF	70.7 PSF	360.40 LB-FT	296.7 LB	886.5 LB	643.2 LB
30"			83.1 (110.7) PSF	87.4 PSF	83.1 (110.7) PSF	87.4 PSF	73.8 PSF	58.2 PSF	73.8 PSF	58.2 PSF	360.40 LB-FT	244.5 LB	798.9 LB	611.7 LB
18"	60"	2520 in ²	59.2 (98.9) PSF	97.7 PSF	59.2 (98.9) PSF	97.7 PSF	59.2 (82.5) PSF	65.1 PSF	59.2 (82.5) PSF	65.1 PSF	360.40 LB-FT	379.3 LB	1113.4 LB	789.1 LB
24"			59.2 (96.9) PSF	76.5 PSF	59.2 (96.9) PSF	76.5 PSF	59.2 (64.6) PSF	51.0 PSF	59.2 (64.6) PSF	51.0 PSF	360.40 LB-FT	296.7 LB	954.3 LB	716.8 LB
30"			59.2 (79.8) PSF	63.0 PSF	59.2 (79.8) PSF	63.0 PSF	53.2 PSF	42.0 PSF	53.2 PSF	42.0 PSF	360.40 LB-FT	244.5 LB	854.7 LB	672.3 LB

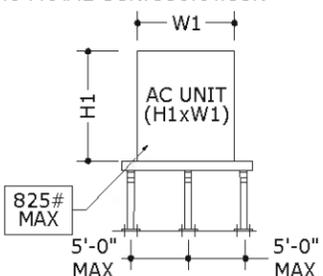
DESIGN SCHEDULE NOTES:

1. MAXIMUM CALCULATED FACE AREA SHALL BE EQUAL TO OR LESS THAN THE MAXIMUM ALLOWABLE FACE AREA FOR EACH CONFIGURATION.
2. REFERENCE ANCHOR SCHEDULE FOR ANCHOR TYPES LISTED HEREIN.

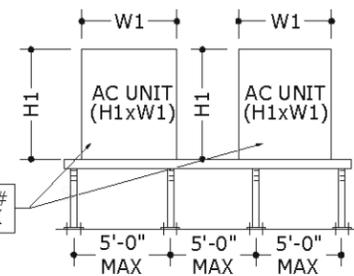
"CUSTOM ASSEMBLY" DESIGN SCHEDULE

CUSTOM ASSEMBLY ALLOWABLE CONFIGURATIONS:

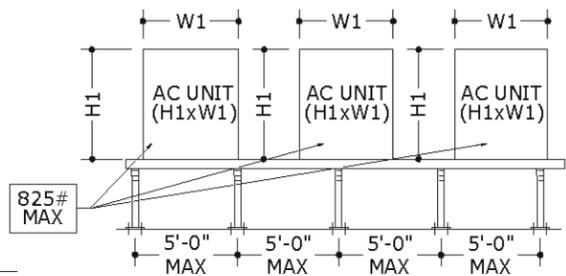
1 UNITS: 3 FRAME CONFIGURATION



2 UNITS: 4 FRAME CONFIGURATION



3 UNITS: 5 FRAME CONFIGURATION

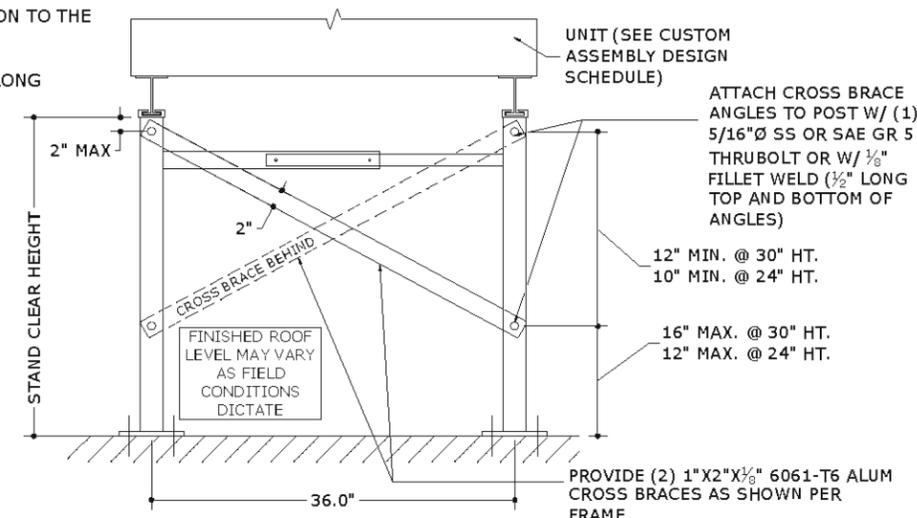


NOTE: FOR THE "CUSTOM ASSEMBLY" STANDS, THE NUMBER OF UNITS PER STAND IS RESTRICTED TO THE CONFIGURATIONS ILLUSTRATED ABOVE. SEE DESIGN SCHEDULE FOR MORE INFORMATION.

MAX UNIT WIDTH	MAX UNIT DEPTH	MAX UNIT HEIGHT	STAND CLEAR HEIGHT	(1) UNITS TO (3) FRAMES				(2) UNITS TO (4) FRAMES				(3) UNITS TO (5) FRAMES			
				ANCHOR TYPE: 1 OR 4		ANCHOR TYPE: 2 OR 3		ANCHOR TYPE: 1 OR 4		ANCHOR TYPE: 2 OR 3		ANCHOR TYPE: 1 OR 4		ANCHOR TYPE: 2 OR 3	
				MAX ALLOWABLE LATERAL LOAD	MAX ALLOWABLE UPLIFT	MAX ALLOWABLE LATERAL LOAD	MAX ALLOWABLE UPLIFT	MAX ALLOWABLE LATERAL LOAD	MAX ALLOWABLE UPLIFT	MAX ALLOWABLE LATERAL LOAD	MAX ALLOWABLE UPLIFT	MAX ALLOWABLE LATERAL LOAD	MAX ALLOWABLE UPLIFT	MAX ALLOWABLE LATERAL LOAD	MAX ALLOWABLE UPLIFT
50"	38"	70"	24"	94.5 PSF	74.6 PSF	94.5 PSF	74.6 PSF	63.0 PSF	49.7 PSF	63.0 PSF	49.7 PSF	52.5 PSF	41.4 PSF	52.5 PSF	41.4 PSF
			30"	79.5 PSF	62.8 PSF	79.5 PSF	62.8 PSF	53.0 PSF	41.8 PSF	53.0 PSF	41.8 PSF	44.3 PSF	35.0 PSF	44.3 PSF	35.0 PSF

CUSTOM ASSEMBLY NOTES:

1. EACH UNIT SHALL UTILIZE (4) TIE-DOWN STRAPS INSTALLED PER DETAIL 5/9 OF THIS DRAWING IN ADDITION TO THE TIE-DOWNS PER DETAIL 2/9 OR 3/9.
2. EACH FRAME (POST PAIR) SHALL UTILIZE THE CROSS BRACING PER DETAIL 1/8 ON THIS SHEET.
3. EACH STAND SHALL UTILIZE (3) SUPPORT ANGLES PER DETAIL 1/10 OF THIS DRAWING EQUALLY SPACED ALONG LENGTH OF STAND (12" MINIMUM FROM ENDS OF STAND).



1
8 CROSS BRACE DETAIL - CUSTOM ASSEMBLY
SCALE: NTS
ELEVATION VIEW

FRANK BERNARDO, PE
PE#0046549 CA#9885



ENGINEERING EXPRESS
CORPORATE OFFICE:
160 SW 12th AVE, SUITE 106
DEERFIELD BEACH, FL 33442
(954) 354-0660 | (866) 396-9999
TEAM@ENGINEERINGEXPRESS.COM
ENGINEERINGEXPRESS.COM

MIAMI TECH, INC
3611 NW 74TH STREET
MIAMI, FL 33147
PHONE: (305) 693-7054 FAX: (305) 693-6125
ALUMINUM A/C STAND
FLORIDA STATEWIDE APPROVAL
FL#24546.1

DRWN	CHKD	DATE
KL	CL	01/10/07
KL	CL	05/03/07
TSB	CL	09/30/08
CSL	TSB	05/10/12
CSL	TSB	08/16/12
CSL	TSB	07/07/15
CSL	TSB	05/07/16
CSL	TSB	11/01/17
CSL	TSB	6/08/20

COPYRIGHT ENGINEERING EXPRESS

20-26315

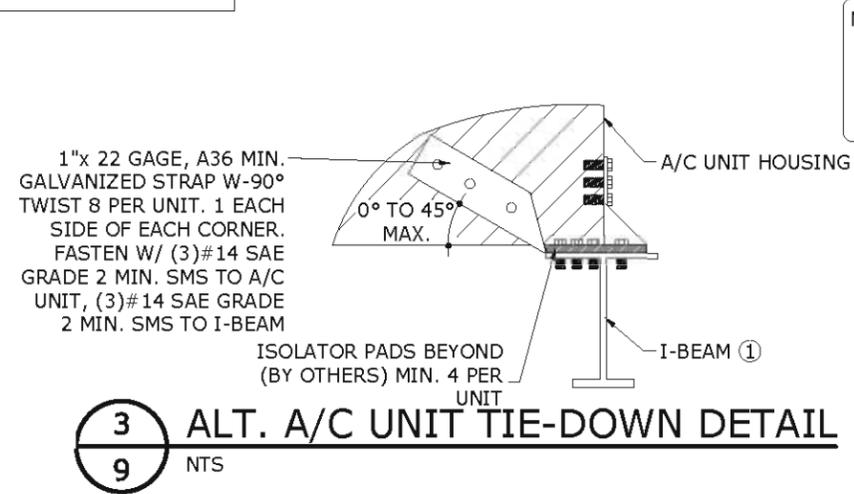
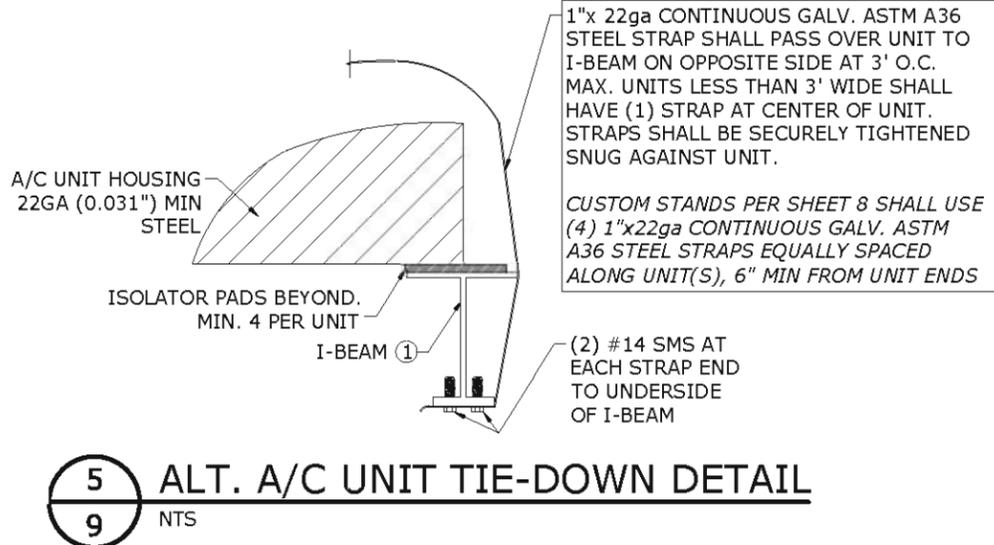
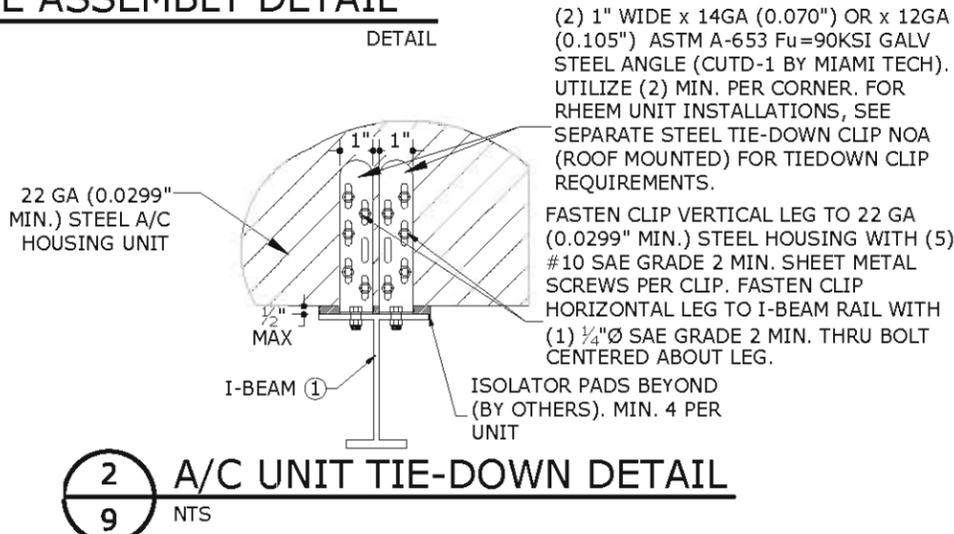
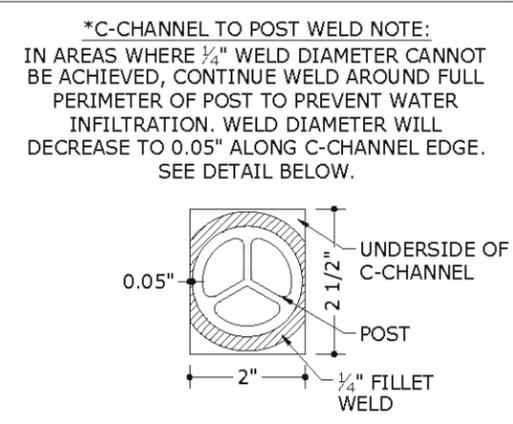
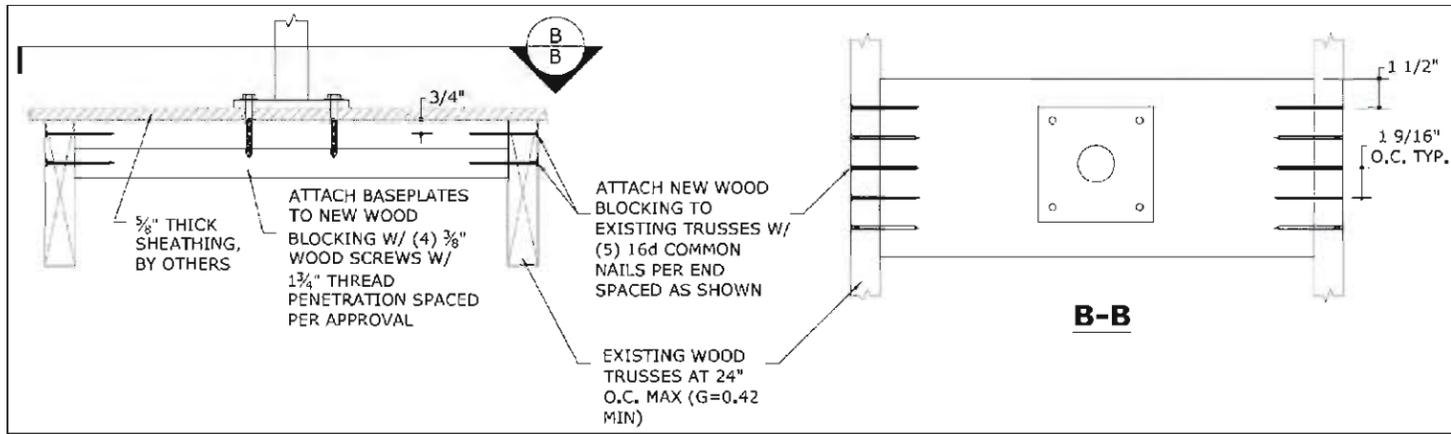
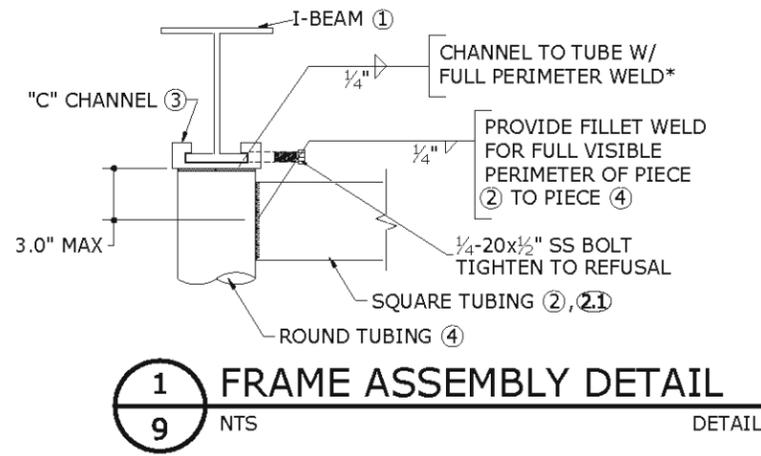
SCALE: NTS

PAGE DESCRIPTION:
COVER SHEET

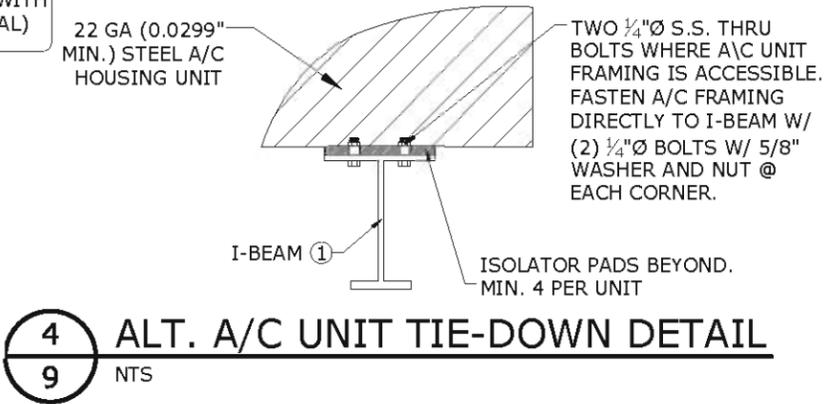
OF 10

08/10/2020 - 9:41pm nckn C:\Users\nckn\Engineering\Express\Production - Documents\Projects\20-26315 - FL24546 - Heavy Duty Alum Equip Stand w Adjustable Cross W/P\2020\FBC\20-26315.dwg

FRAME ASSEMBLY & UNIT TIE-DOWN DETAILS:



NOTE: UNIT TIEDOWN DETAILS MAY ALSO BE USED TO ANCHOR THE UNIT TO THE SUPPORT ANGLE SHOWN ON SHEET 10. (I.E. I-BEAM CAN BE SUBSTITUTED WITH ANGLE SUPPORT AS BASE MATERIAL)



FRANK BERNARDO, PE
PE #0046549 CA #9885

ENGINEERING EXPRESS

CORPORATE OFFICE:
160 SW 12th AVE, SUITE 106
DEERFIELD BEACH, FL 33442
(954) 354-0660 | (866) 396-9999
TEAM@ENGINEERINGEXPRESS.COM
ENGINEERINGEXPRESS.COM

MIAMI TECH, INC
36.11 NW 74TH STREET
MIAMI, FL 33147
PHONE: (305) 693-7054 FAX: (305) 693-6125

ALUMINUM A/C STAND
FLORIDA STATEWIDE APPROVAL
FL #24546.1

REMARKS	DRWN	CHKD	DATE
INIT ISSUE	KL	CL	01/10/07
REV. TELESCOPIC BOLTS	KL	CL	05/03/07
UPDATE PER '07 FCC	TSB	CSL	09/30/08
UPDATE PER '10 FCC	CSL	TSB	05/10/12
REV. PER COMMENTS	CSL	TSB	08/16/12
FBC UPDATE	RWN	CSL	07/07/15
REV PER MD COMMENTS	RWN	FLB	05/07/16
REV - 2017 FCC 6TH	RWN	FLB	11/01/17
REV - 2020 FCC 7TH	CB	RWN	6/08/20

COPYRIGHT ENGINEERING EXPRESS

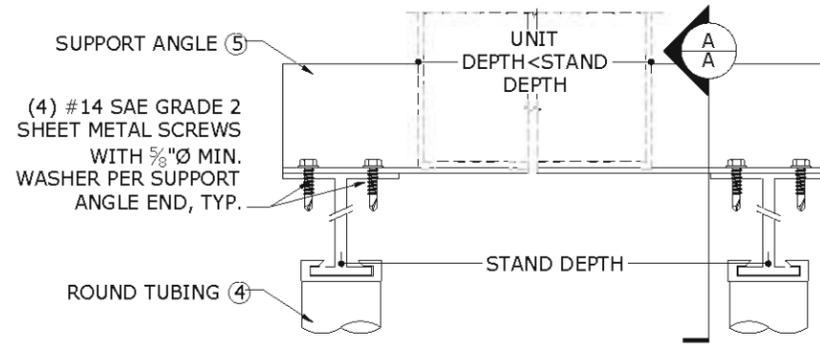
20-26315

SCALE: NTS

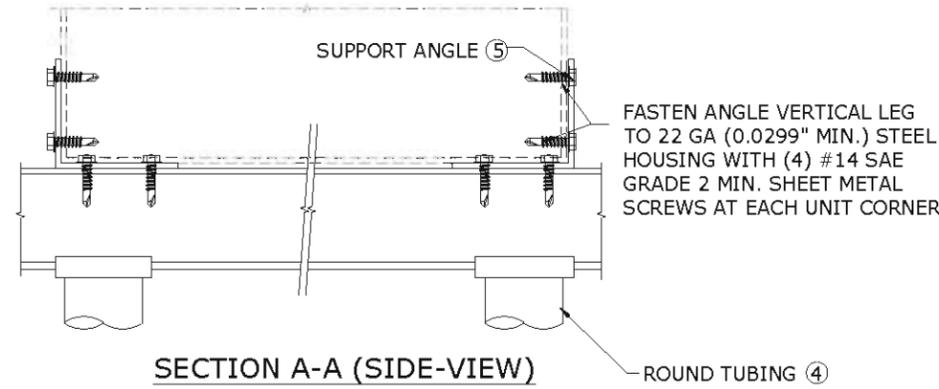
PAGE DESCRIPTION:
COVER SHEET

OF 10

08/10/2020 - 9:41pm nckn C:\Users\nckn\Engineering\Express\Production - Documents\Projects\20-26315 - FL24546 - Heavy Duty Alum Equip Stand w Adjustable Cross W/P\2020\FBC\20-26315d AC Stand (FSA).dwg



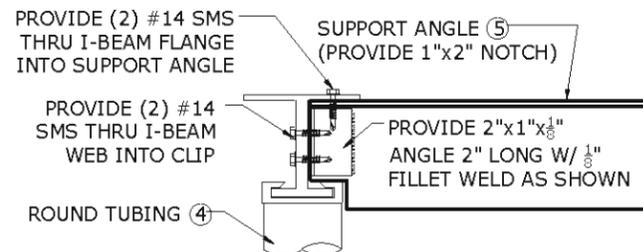
1A
10 NTS
SUPPORT ANGLE ATTACHMENT DETAIL



SECTION A-A (SIDE-VIEW)

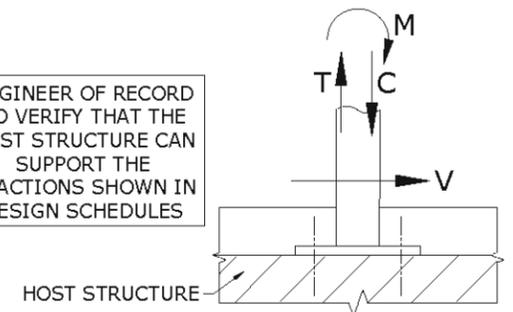
ANCHOR SCHEDULE

ANCHOR TYPE	HOST STRUCTURE	ANCHOR DESCRIPTION
1	STEEL	3/8"Ø SAE GRADE 5 SHEET METAL SCREWS WITH 1"Ø MIN. WASHER, TO STRUCTURAL A36 STEEL MEMBERS (3/16" MIN HOST THICKNESS)
2	CONCRETE	3/8"Ø DEWALT SCREW-BOLT CONCRETE ANCHOR WITH 1"Ø MIN. WASHER, 2-1/2" EMBEDMENT & 6" MIN EDGE DISTANCE, SEE BASE PLATE COMPONENT #6 (ON SHEET 2) FOR TYPICAL ANCHOR SPACING.
3	WOOD*	*SEE DETAIL 4/10 OR OR 6/9 OR SITE SPECIFIC ENGINEERING IS REQUIRED
4	STEEL	3/8"Ø SAE GRADE 5 THRU-BOLT WITH 1"Ø MIN. WASHER & NUT, TO STRUCTURAL A36 STEEL MEMBERS (3/16" MIN HOST THICKNESS)

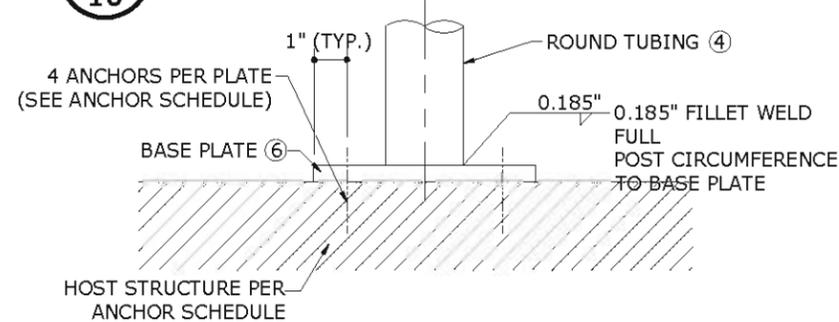


1B
10 NTS
SUPPORT ANGLE ATTACHMENT DETAIL

ENGINEER OF RECORD TO VERIFY THAT THE HOST STRUCTURE CAN SUPPORT THE REACTIONS SHOWN IN DESIGN SCHEDULES



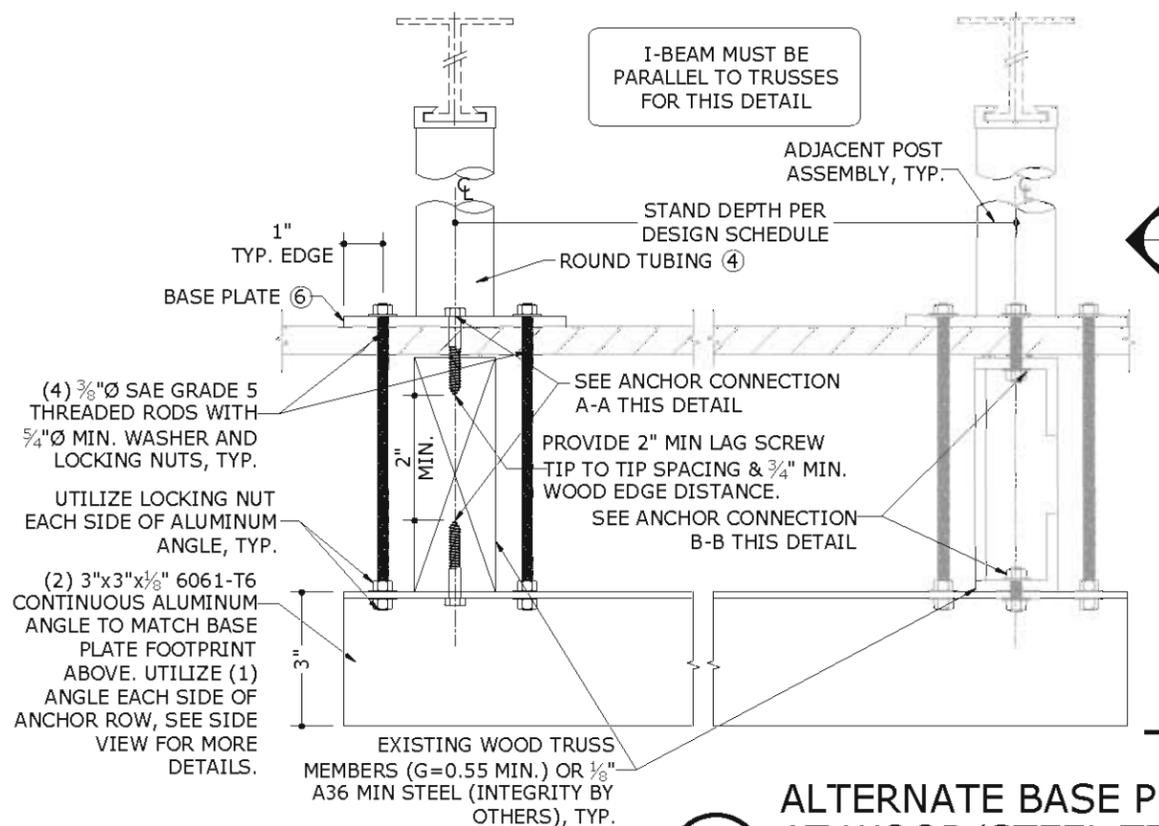
2
10 NTS
BASE PLATE REACTIONS



3
10 NTS
STANDARD BASE PLATE ATTACHMENT DETAIL

ANCHOR NOTES:

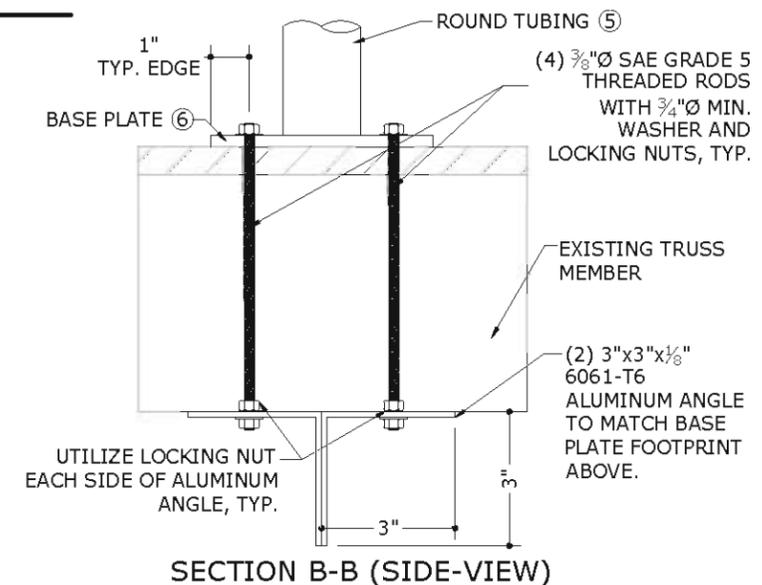
- ANCHORS SHALL BE INSTALLED IN ACCORDANCE WITH MANUFACTURERS' RECOMMENDATIONS.
- ENSURE MINIMUM EDGE DISTANCE AS NOTED IN ANCHOR SCHEDULE FOR EACH ANCHOR.
- WOOD HOST STRUCTURE SHALL BE "SOUTHERN PINE" G=0.55 OR GREATER DENSITY. ALL CONCRETE SUBSTRATE SHALL BE UN-CRACKED CONCRETE AND SHALL HAVE MINIMUM COMPRESSIVE STRENGTH OF 3000 PSI. CONCRETE SUBSTRATE THICKNESS SHALL BE GREATER THAN OR EQUAL TO 1.5xANCHOR EMBEDMENT. INSTALL CONCRETE ANCHORS TO UN-CRACKED CONCRETE ONLY.
- MINIMUM EMBEDMENT SHALL BE AS NOTED IN ANCHOR SCHEDULE. MINIMUM EMBEDMENT AND EDGE DISTANCE EXCLUDES ROOFING FINISHES.
- WHERE EXISTING STRUCTURE IS WOOD TRUSSES, EXISTING CONDITIONS MAY VARY. FIELD VERIFY THAT FASTENERS ARE INTO ADEQUATE WOOD TRUSS MEMBERS, NOT INTO PLYWOOD.



4
10 NTS
ALTERNATE BASE PLATE ATTACHMENT AT WOOD/STEEL TRUSS MEMBERS

ANCHOR A-A (WOOD MEMBER)
ADD (4) 1/4"Ø LAG SCREW, 5/8"Ø MIN. WASHER, 3 1/2" MIN. EMBED, 3/4" MIN. EDGE DISTANCE. UTILIZE (2) TOP AND (2) BOTTOM, TYP.

ANCHOR B-B (STEEL MEMBER)
ADD (4) 3/8"Ø THRU-BOLT, 3/4"Ø MIN. WASHER AND LOCKING NUT. UTILIZE (2) TOP AND (2) BOTTOM, TYP.



SECTION B-B (SIDE-VIEW)

FRANK BENNARDO, PE
PE#0046549 CA#9885



ENGINEERING EXPRESS
CORPORATE OFFICE:
160 SW 12th AVE, SUITE 106
DEERFIELD BEACH, FL 33442
(954) 354-0660 | (866) 396-9999
TEAM@ENGINEERINGEXPRESS.COM
ENGINEERINGEXPRESS.COM

MIAMI TECH, INC
3611 NW 74TH STREET
MIAMI, FL 33147
PHONE: (305) 693-7054 FAX: (305) 693-6125
ALUMINUM A/C STAND
FLORIDA STATEWIDE APPROVAL
FL#24546.1

REMARKS	DRWN	CHKD	DATE
INIT ISSUE	KL	CL	01/10/07
REV. TELESCOPIC BOLTS	KL	CL	05/03/07
UPDATE PER 07 FBC	TSB	CSL	09/30/08
UPDATE PER 10 FBC	CSL	TSB	05/10/12
REV. PER COMMENTS	CSL	TSB	08/16/12
FBC UPDATE	CSL	TSB	07/07/15
REV. PER MD COMMENTS	CSL	TSB	05/07/16
REV. 2017 FBC 6TH	CSL	TSB	11/01/17
REV. 2020 FBC 7TH	CSL	TSB	6/08/20

COPYRIGHT ENGINEERING EXPRESS
20-26315
SCALE: NTS
PAGE DESCRIPTION: COVER SHEET