



**STANDARD CONSTRUCTION**

BODY:  
26 GAUGE ASTM A-653 HOT-DIPPED  
GALVANIZED STEEL SHEET  
INSULATED WITH R4 BOARD

STANDARD SIZES:

MODEL	WIDTH (W)	HEIGHT (H)	DEPTH (D)
FFRI17.5	17 3/4"	4 3/8"	21"
FFRI21	21 1/4"	4 3/8"	21"
FFRI24	24 3/4"	4 3/8"	21"

**FEATURES**

26 GAUGE GALVANIZED STEEL PROVIDES EXCELLENT CORROSION RESISTANCE AND LONGEVITY.

SINGLE PIECE BODY CONSTRUCTION FOR ADDED STRENGTH.

FILTER TRACK CAN BE CONVERTED TO ACCOMMODATE A 2" FILTER, OR A 1" FILTER PLUS A 1" UV LIGHT SYSTEM.

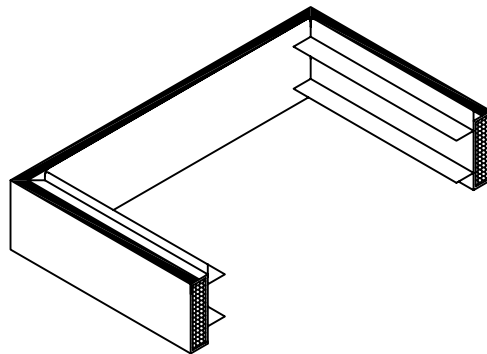
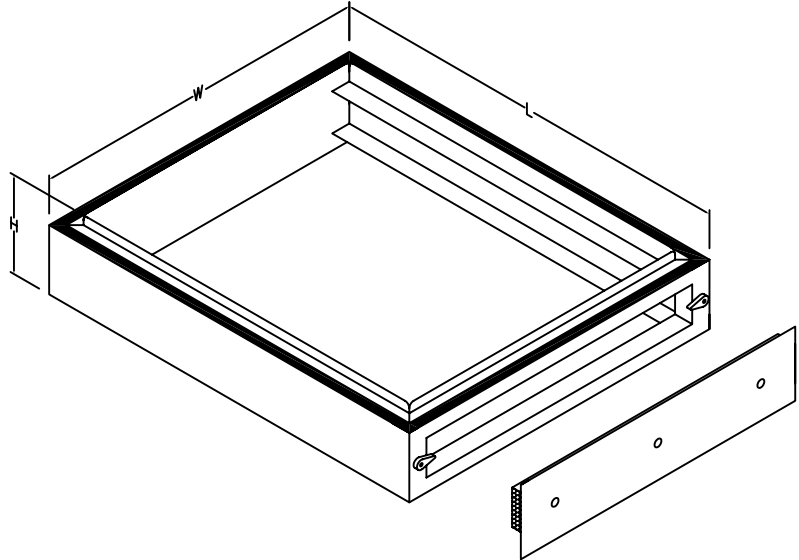
RUBBER STRIPS MINIMIZE VIBRATION.

FULLY REMOVABLE ACCESS DOOR FOR EASY MAINTENANCE.

1" HOG HAIR FILTER WITH REINFORCED WIRES INCLUDED.

THE FFR FAMILY HAS BEEN DESIGNED FOR RHEEM AND RUUD AIR HANDLER UNITS. OTHER CUSTOM SIZES ARE AVAILABLE UPON REQUEST.

OPTIONS: CUSTOM SIZES AVAILABLE.



JOB NAME:
LOCATION:
ARCHITECT:
ENGINEER:
CONTRACTOR:
CONTACT MIAMI TECH INC. FOR ADDITIONAL INFORMATION OR WITH SPECIAL REQUIREMENTS.
3611 NW 74TH ST MIAMI, FL 33147
PHONE: 305-693-7054 FAX: 305-693-6152
WEB: WWW.MIAMITECH.COM EMAIL: SALES@MIAMITECH.COM

**FFRI**

**FIXED FILTER RACK FOR RHEEM/RUUD  
PRODUCT SPECIFICATIONS**



DRAWN BY: AF

DATE: 08/20/07

SCALE: NOT TO SCALE

DRAWING NO. FFRI

CHECKED BY: IG

DATE: 11/12/10

REVISION: 3