

STANDARD CONSTRUCTION

BODY:
16 GAUGE ASTM A-653 HOT-DIPPED
GALVANIZED STEEL SHEET

STANDARD SIZES:

MODEL	WIDTH (W)	HEIGHT (H)	DEPTH (D)
FFR17.5	17 7/8"	2"	21 1/2"
FFR21	21 3/8"	2"	21 1/2"
FFR24	24 7/8"	2"	21 1/2"

FEATURES

16 GAUGE GALVANIZED STEEL PROVIDES EXCELLENT CORROSION RESISTANCE AND LONGEVITY.

WELDED CONSTRUCTION FOR ADDED STRENGTH.

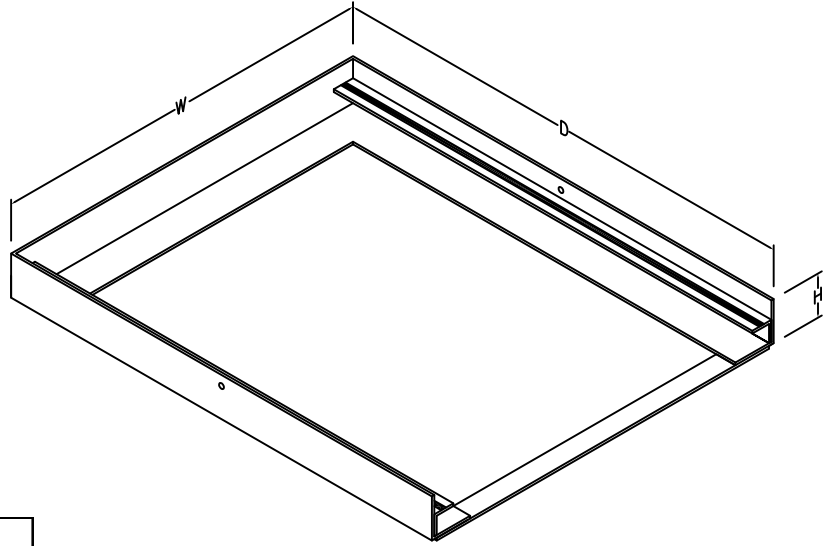
PRE-PUNCHED HOLES FOR EASY FASTENING TO AIR HANDLER OR BASE.

RUBBER STRIPS INCLUDED TO MINIMIZE VIBRATION.

1" HOG HAIR FILTER WITH REINFORCED WIRES INCLUDED.

THE FFR FAMILY HAS BEEN DESIGNED FOR RHEEM AND RUUD AIR HANDLER UNITS. OTHER CUSTOM SIZES ARE AVAILABLE UPON REQUEST.

OPTIONS: CUSTOM SIZES AVAILABLE.


FILTER REPLACEMENT CHART

FFR MODEL	REPLACEMENT FILTER SIZE
FFR17.5	17.5" x 21" x 1"
FFR21	21" x 21" x 1"
FFR24	24.5" x 21" x 1"

JOB NAME:
LOCATION:
ARCHITECT:
ENGINEER:
CONTRACTOR:
<p>CONTACT MIAMI TECH INC. FOR ADDITIONAL INFORMATION OR WITH SPECIAL REQUIREMENTS.</p> <p>3611 NW 74TH ST MIAMI, FL 33147 PHONE: 305-693-7054 FAX: 305-693-6152</p> <p>WEB: WWW.MIAMITECH.COM EMAIL: SALES@MIAMITECH.COM</p>

FFR

*FIXED FILTER RACK FOR RHEEM/RUUD
PRODUCT SPECIFICATIONS*

NOTE: ALL DRAWINGS SUBJECT TO CHANGE WITHOUT PRIOR NOTICE.

DRAWN BY: AF	DATE: 08/30/07	SCALE: NOT TO SCALE	DRAWING NO.:
CHECKED BY: AV	DATE: 9/9/2011	REVISION: 3	FFR