



STANDARD CONSTRUCTION

BODY:
18 GAUGE ASTM A-653 HOT-DIPPED GALVANIZED STEEL SHEET

STANDARD SIZES:

MODEL	WIDTH (W)	DEPTH (D)	FILTER SPACE	STANDARD FILTER SIZE (WxDxH)
FFR18.5TEM3/4	19"	21 1/4"	18"	18"X20"X1"
FFR22TEM3/4	22.250"	23"	20"	20"X22"X1"
FFRD18.5TEM3/4	19"	21 1/4"	18"	18"X20"X1"
FFRD22TEM3/4	22.250"	23"	20"	20"X22"X1"

FEATURES

18 GAUGE GALVANIZED STEEL PROVIDES EXCELLENT CORROSION RESISTANCE AND LONGEVITY.

WELDED CONSTRUCTION FOR ADDED STRENGTH.

PRE-PUNCHED HOLES FOR EASY FASTENING TO AIR HANDLER OR BASE.

RUBBER STRIPS INCLUDED TO MINIMIZE VIBRATION.

1" STANDARD SIZE DISPOSABLE FILTER INCLUDED.

THE FFR-TEM3/4 FAMILY HAS BEEN DESIGNED FOR TRANE AND AMERICAN STANDARD AIR HANDLER UNITS. OTHER CUSTOM SIZES ARE AVAILABLE UPON REQUEST.

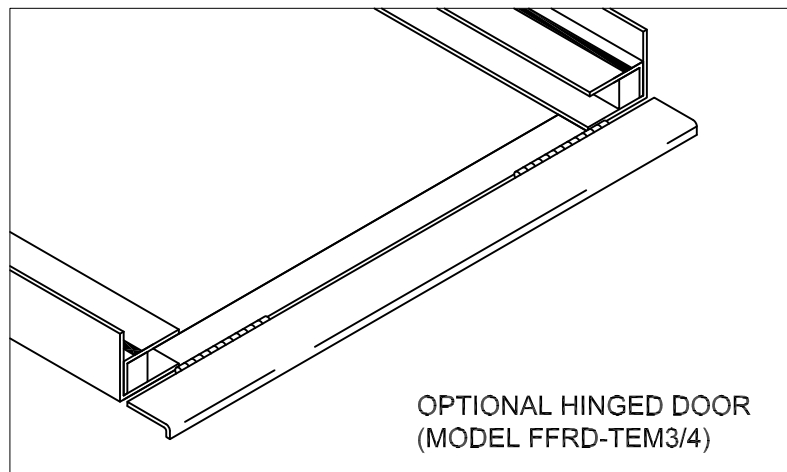
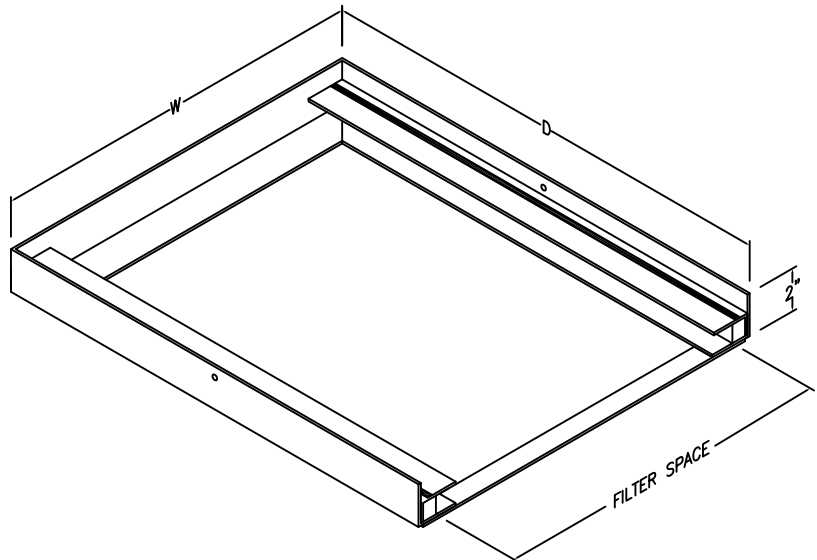
MODEL FFRD-TEM3/4: FILTER RACK WITH HINGED FRONT DOOR.

OPTIONS: CUSTOM SIZES AVAILABLE.

SPECIAL NOTE:

FFRD18.5TEM3/4 FITS TEM3A0B18-36 AND TEM4A0B18-30.

FFRD23.5TEM3/4 FITS TEM3A0B42-60 AND TEM4A0B36-60.



OPTIONAL HINGED DOOR (MODEL FFRD-TEM3/4)

JOB NAME:
LOCATION:
ARCHITECT:
ENGINEER:
CONTRACTOR:
CONTACT MIAMI TECH INC. FOR ADDITIONAL INFORMATION OR WITH SPECIAL REQUIREMENTS.
3611 NW 74TH ST MIAMI, FL 33147
PHONE: 305-693-7054 FAX: 305-693-6152
WEB: WWW.MIAMITECH.COM EMAIL: SALES@MIAMITECH.COM

FFR-XXTEM3/4

FIXED FILTER RACK FOR TRANE/AMERICAN STANDARD PRODUCT SPECIFICATIONS

NOTE: ALL DRAWINGS SUBJECT TO CHANGE WITHOUT PRIOR NOTICE.



DRAWN BY: CG	DATE: 5/22/2013	SCALE: NOT TO SCALE	DRAWING NO. FFR-TEM3/4
CHECKED BY: IV	DATE: 9/19/2014	REVISION: C	