

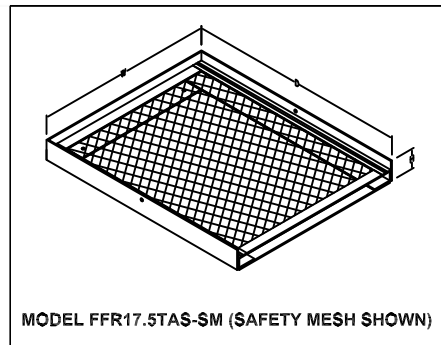
**STANDARD CONSTRUCTION**

BODY:  
16 GAUGE ASTM A-653 HOT-DIPPED  
GALVANIZED STEEL SHEET

STANDARD SIZES:

MODEL	WIDTH (W)	HEIGHT (H)	DEPTH (D)	TRANE/AMERICAN STANDARD MODEL
FFR17.5TAS-SM*	17.5"	2"	22"	GA2A0A18-36**1SA
FFR19.75TAS	19.75"	2"	22"	4FWC*024-36
FFR22TAS	22"	2"	22.75"	4FWHF042-61

\*MODEL FFR17.5TAS-SM COMES WITH SAFETY MESH (SEE ILLUSTRATION)


**FEATURES**

16 GAUGE GALVANIZED STEEL PROVIDES EXCELLENT CORROSION RESISTANCE AND LONGEVITY.

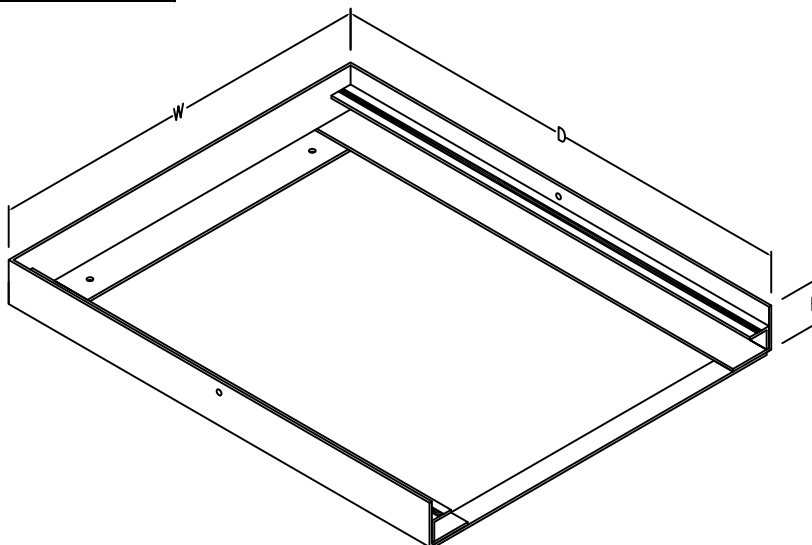
WELDED CONSTRUCTION FOR ADDED STRENGTH.

PRE-PUNCHED HOLES FOR EASY FASTENING TO AIR HANDLER OR DAMPER BASE.

RUBBER STRIPS INCLUDED TO MINIMIZE VIBRATION.

1" HOG HAIR FILTER WITH REINFORCED WIRES INCLUDED.

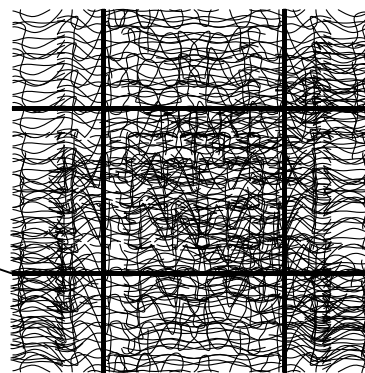
THE FFR FAMILY HAS BEEN DESIGNED FOR TRANE/AMERICAN STANDARD AIR HANDLER UNITS.


**FILTER REPLACEMENT CHART**

FFR MODEL	REPLACEMENT FILTER SIZE
FFR17.5TAS	17.5" x 22" x 1"
FFR19.75TAS	19.75" x 22" x 1"
FFR22TAS	21.75" x 22.50" x 1"

JOB NAME:
LOCATION:
ARCHITECT:
ENGINEER:
CONTRACTOR:
CONTACT MIAMI TECH INC. FOR ADDITIONAL INFORMATION OR WITH SPECIAL REQUIREMENTS.  3611 NW 74TH ST MIAMI, FL 33147 PHONE: 305-693-7054 FAX: 305-693-6152  WEB: WWW.MIAMITECH.COM EMAIL: SALES@MIAMITECH.COM

STEEL REINFORCEMENT RODS



HOG HAIR FILTER INCLUDED (STEEL REINFORCED)

**FFR-TAS**

**FIXED FILTER RACK FOR TRANE/AMERICAN STANDARD  
PRODUCT SPECIFICATIONS**

NOTE: ALL DRAWINGS SUBJECT TO CHANGE WITHOUT PRIOR NOTICE.

DRAWN BY: CG	DATE: 4/23/12	SCALE: NOT TO SCALE	DRAWING NO. FFR-TAS
CHECKED BY: IV	DATE: 5/6/14	REVISION: C	