

555 Classified
UL File R10250

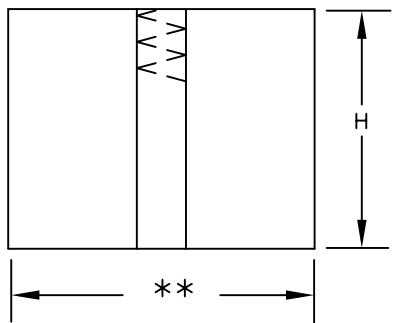
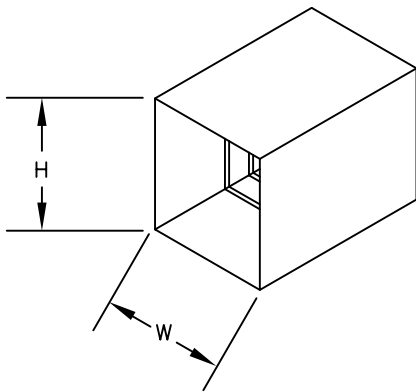
STANDARD CONSTRUCTION

- **Frame:** Roll Formed 22 gauge Galvanized Steel.
- **Blades:** Roll Formed 22 gauge Galvanized Steel, Curtain Type.
- **Springs:** Stainless Steel.
- **Fusible Link:** U.L. Listed 165° Standard (Other Temperatures available).
- **Mounting:** Horizontal or Vertical.
- **Transition Collars:** 22 gauge Galvanized Steel.
- **Finish:** Mill Galvanized Standard
- **Sizes:** 6" x 6" minimum, 48" x 48" maximum.
- **Sleeves:** 22,20,18,16,14 gauge Galvanized Steel.

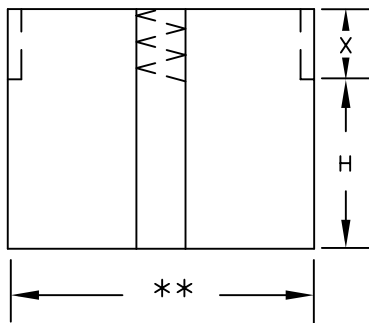
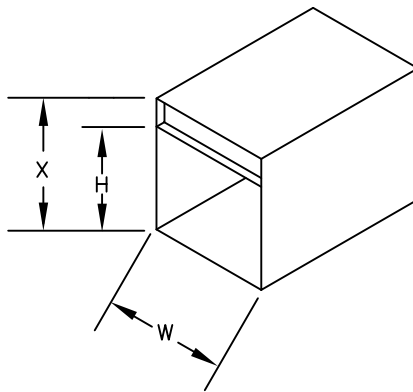
FEATURES

- Meets all UL and NFPA requirements for PRIMARY FIRE DAMPERS. Approved for use where ducts penetrate partitions with fire resistance ratings of two hours or less.
- Gravity operated for Vertical installation. Closure springs and latches for Horizontal installation.
- 1 1/2 hour rating. For use in fire barriers rated 2 hours or less.
- Available for both statically and dynamically rated dampers.
- Dampers are mounted in the center of the sleeve as standard. Optional off-center mounting locations are also available.

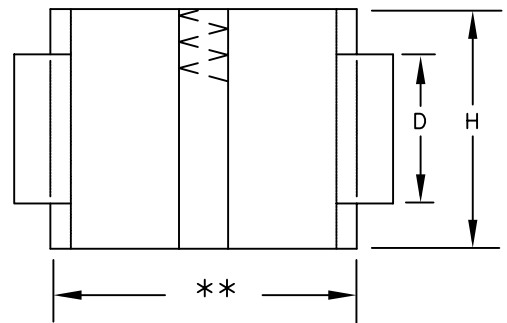
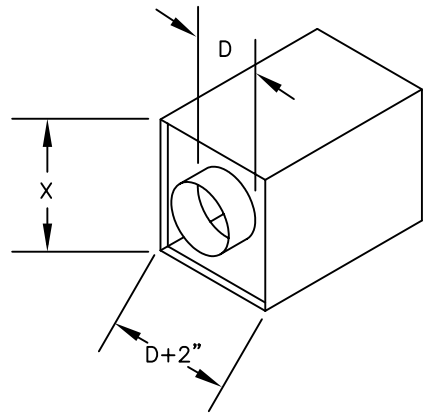
TYPE A



TYPE B



TYPES C & D



W=Width (DUCT) H=Height (Duct) D=Duct Diameter X=Variable (See Size Chart Dwg. No. FD101-G)
 *Dampers normally fabricated approximately 1/4" less than given opening dimensions.
 ** Available in 8", 12", 16", 20", 24" and 30" standard lengths.

NOTE: ALL DRAWINGS SUBJECT TO CHANGE WITHOUT PRIOR NOTICE.

TITLE:

FIRE DAMPER SLEEVE CURTAIN TYPE FIRE DAMPER SLEEVES PRODUCT SPECIFICATIONS

NOTE: ALL DRAWINGS SUBJECT TO CHANGE WITHOUT PRIOR NOTICE.



miami tech inc.

DRAWN BY: CG	DATE: 3/15/00	SCALE:	DRAWING NO. FDS
CHECKED BY: AV	DATE: 3/15/00	REV:	