

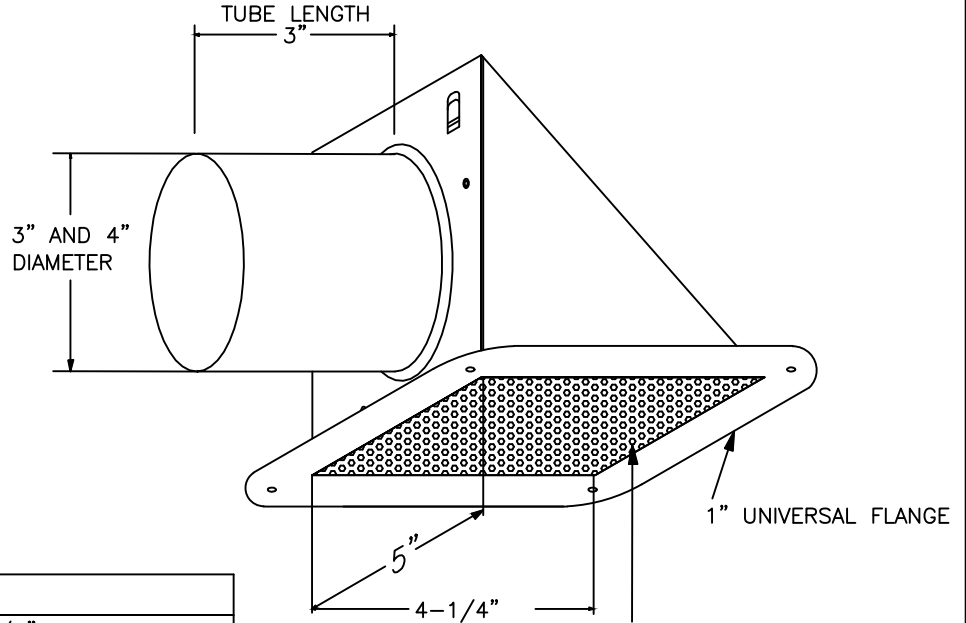
STANDARD CONSTRUCTION
BODY:

26 GAUGE ASTM A-653 HOT-DIPPED GALVANIZED STEEL SHEET.

OPTIONS:

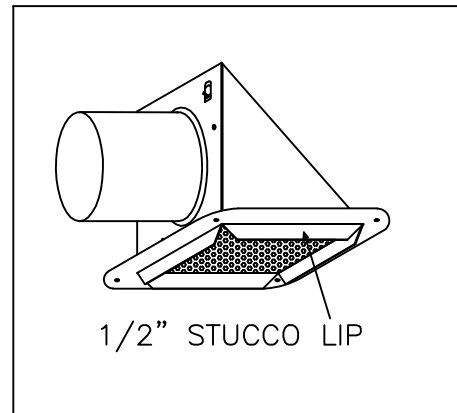
 FOR BACKDRAFT DAMPER OPTION, ADD D.
 FOR 1/2" STUCCO LIP OPTION, ADD L.
 FOR BOTH ABOVE OPTIONS, ADD DL.
 CUSTOM SIZES AVAILABLE UPON REQUEST.

FEATURES:

 26 GAUGE GALVANIZED STEEL PROVIDES EXCELLENT CORROSION RESISTANCE AND LONGEVITY. DISCHARGE HOOD AREA EQUAL OR GREATER THAN INLET PIPE AREA.
 STITCH WELDED INLET TUBE.
 ROUNDED FLANGE CORNERS FOR ADDED SAFETY.
 FLANGED BASE PROVIDES A SOLID FASTENING SURFACE.

 PREPAINTED* PERFORATED STEEL
 3/16" DIAMETER HOLES ON 1/4"
 STAGGERED CENTERS

PART NUMBER	DESCRIPTION
EV3L	3" EAVE VENT W/ 1/2" LIP
EV4L	4" EAVE VENT W/ 1/2" LIP
EV3DL	3" EAVE VENT W/DAMPER AND 1/2" LIP
EV4DL	4" EAVE VENT W/DAMPER AND 1/2" LIP

JOB NAME:
LOCATION:
ARCHITECT:
ENGINEER:
CONTRACTOR:
CONTACT MIAMI TECH INC. FOR ADDITIONAL INFORMATION OR WITH SPECIAL REQUIREMENTS. 3611 NW 74TH ST MIAMI, FL 33147 PHONE: 305-693-7054 FAX: 305-693-6152 WEB: WWW.MIAMITECH.COM EMAIL: SALES@MIAMITECH.COM



(STUCCO LIP OPTION "L")

*SKY-WHITE, DUPONT 100% POLYESTER POWDER COATING PAINT.

**EV
EAVE VENT
PRODUCT SPECIFICATIONS**

NOTE: ALL DRAWINGS SUBJECT TO CHANGE WITHOUT PRIOR NOTICE.

DRAWN BY: EM	DATE: 07.06.2009	SCALE: NOT TO SCALE	DRAWING NO.:
CHECKED BY: IV	DATE: 01.13.2017	REVISION: 3	EVXXX