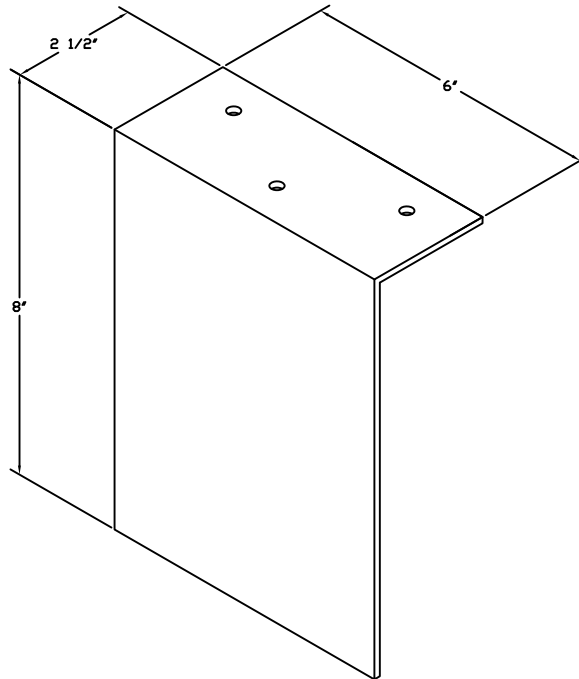
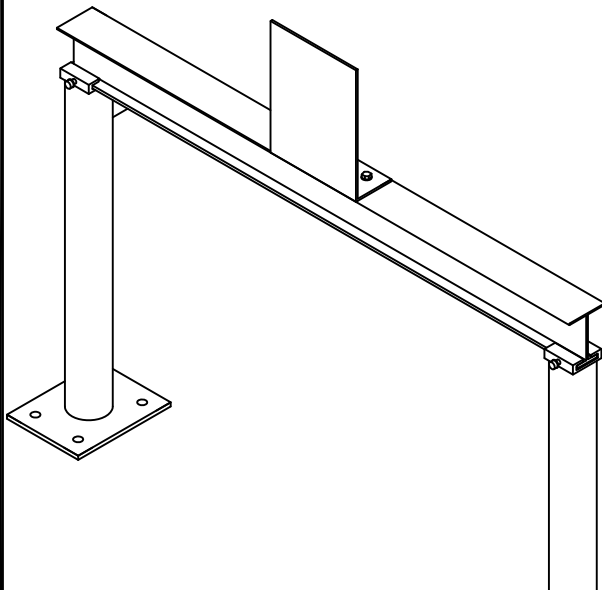


EMB - Electrical Mounting Bracket

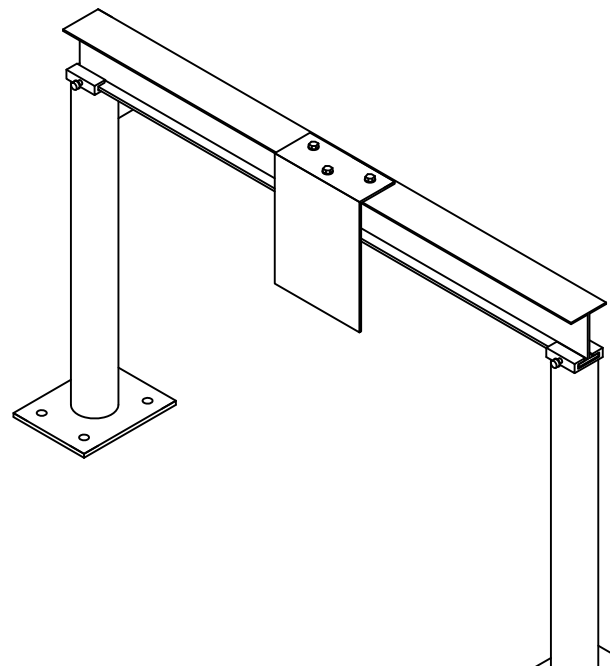
Accessory option for the AS10 series roof top condensing unit stands. For mounting electrical disconnect box. Comes with three (3) #10 sheet metal screws. Can be installed in a "Standing" or "hanging" position.



STANDING MOUNT



HANGING MOUNT



EMB

ELECTRICAL MOUNTING BRACKET
PRODUCT INFORMATION SHEET