



STANDARD CONSTRUCTION

MATERIAL:
22 GAUGE ASTM A-653 HOT-DIPPED GALVANIZED
STEEL SHEET

STANDARD SIZES:

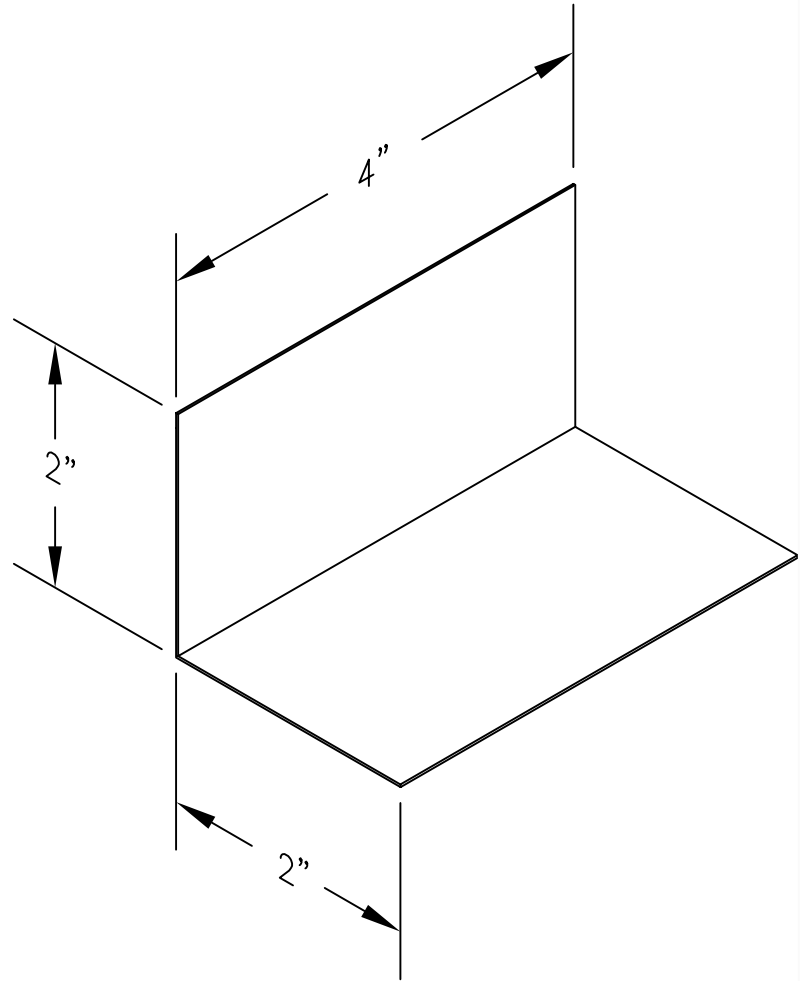
MODEL	DIMENSIONS	GAUGE	BUNDLE QTY.
DS-1	2" X 2" X 4"	22	10

FEATURES

GALVANIZED STEEL PROVIDES EXCELLENT CORROSION
RESISTANCE AND LONGEVITY.

BUNDLE QUANTITIES OF 10 PIECES.

OPTIONS: BULK QUANTITIES AVAILABLE.



JOB NAME:
LOCATION:
ARCHITECT:
ENGINEER:
CONTRACTOR:
CONTACT MIAMI TECH INC. FOR ADDITIONAL INFORMATION OR WITH SPECIAL REQUIREMENTS. 3611 NW 74TH ST MIAMI, FL 33147 PHONE: 305-693-7054 FAX: 305-693-6152 WEB: WWW.MIAMITECH.COM EMAIL: SALES@MIAMITECH.COM

DS-1

FIBERGLASS DUCT SUPPORT
PRODUCT SPECIFICATIONS

NOTE: ALL DRAWINGS SUBJECT TO CHANGE WITHOUT PRIOR NOTICE.



DRAWN BY: AF	DATE: 09/25/07	SCALE: NOT TO SCALE
CHECKED BY: IG	DATE: 09/25/07	REVISION: 1

DRAWING NO.
DS-1