



STANDARD CONSTRUCTION

MATERIAL:
24 GAUGE ASTM A-653 HOT-DIPPED GALVANIZED STEEL SHEET

STANDARD SIZES:

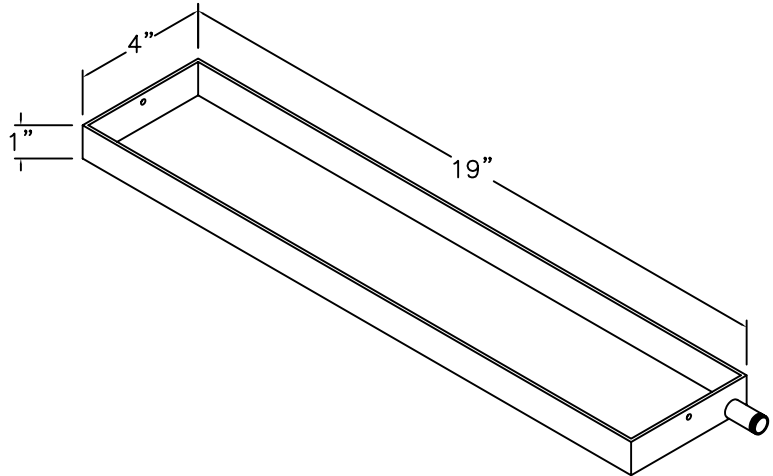
MODEL	SIZE	BOX QTY.
DPA	4" X 19" X 1"	1

FEATURES

POWDERCOATED GALVANIZED STEEL PROVIDES EXCELLENT CORROSION RESISTANCE. WELDED CORNERS FOR A WATERTIGHT SEAL.

DESIGNED AS A COMPONENT FOR THE RHEEM AIR HANDLER DRAIN PAN. (MODEL #RENB1005S)

OPTION: CUSTOM SIZES AVAILABLE. POWDER COATING AVAILABLE



JOB NAME:
LOCATION:
ARCHITECT:
ENGINEER:
CONTRACTOR:
CONTACT MIAMI TECH INC. FOR ADDITIONAL INFORMATION OR WITH SPECIAL REQUIREMENTS. 3611 NW 74TH ST MIAMI, FL 33147 PHONE: 305-693-7054 FAX: 305-693-6152 WEB: WWW.MIAMITECH.COM EMAIL: SALES@MIAMITECH.COM

DPA

AUXILIARY DRAIN PAN
PRODUCT SPECIFICATIONS

NOTE: ALL DRAWINGS SUBJECT TO CHANGE WITHOUT PRIOR NOTICE.



DRAWN BY: AF	DATE: 10/17/07	SCALE: NOT TO SCALE
CHECKED BY: IG	DATE: 10/17/07	REVISION: 1

DRAWING NO.
DPA