



**STANDARD CONSTRUCTION**

MATERIAL:  
14 GAUGE/G-90 ASTM A-653 COLD-ROLLED GALVANIZED STEEL

**STANDARD SIZES:**

TYPE	BASE DEPTH	WIDTH	HEIGHT	PACK QTY.
CUTD4	1.25"	1"	4"	4 PKG.
CUTD4-B	1.25"	1"	4"	BULK
CUTD6	1.25"	1"	6"	4 PKG.
CUTD6-B	1.25"	1"	6"	BULK
CUTD8-B	1.25"	1"	8"	BULK
CUTD10-B	1.25"	1"	10"	BULK
CUTD14-B	1.25"	1"	14"	BULK
CUTD18-B	1.25"	1"	18"	BULK

**FEATURES**

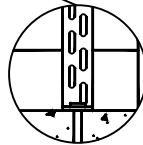
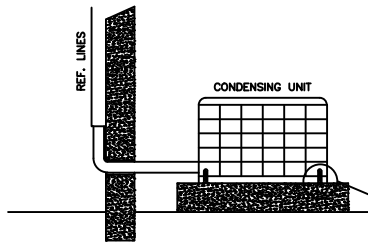
GALVANIZED STEEL PROVIDES EXCELLENT CORROSION RESISTANCE AND LONGEVITY.

SLATTED DESIGN PROVIDES A UNIVERSAL MOUNT.

AVAILABLE IN PEG BOARD DISPLAY PACKAGES (4 PER PACKAGE) UPTO 6".

BULK PACKAGING AVAILABLE FOR ALL SIZES.

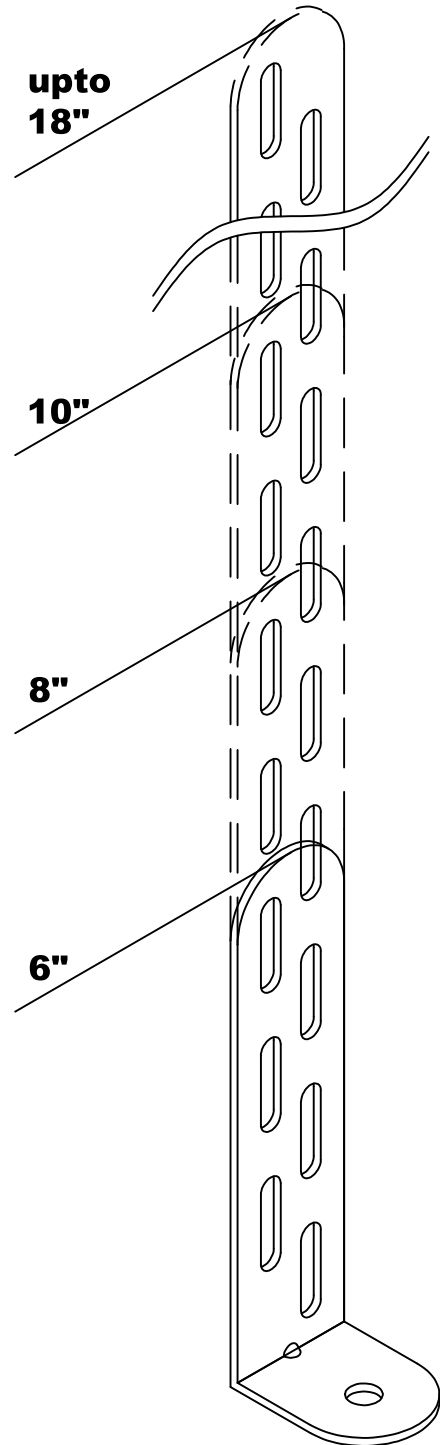
AVAILABLE IN ALUMINUM FOR EVEN GREATER CORROSION RESISTANCE (MODEL CUTDAX)



NOTE: ENGINEERING DATA AND CALCULATIONS AVAILABLE UPON REQUEST.

JOB NAME:
LOCATION:
ARCHITECT:
ENGINEER:
CONTRACTOR:
CONTACT MIAMI TECH INC. FOR ADDITIONAL INFORMATION OR WITH SPECIAL REQUIREMENTS. 3611 NW 74TH ST MIAMI, FL 33147 PHONE: 305-693-7054 FAX: 305-693-6152 WEB: WWW.MIAMITECH.COM EMAIL: SALES@MIAMITECH.COM

Anchor with (1) 1/4" diameter ITW Buildex (or equivalent) carbon steel Tapcon embedded 1-3/4" minimum into 3,000 psi concrete with 2-1/2" minimum edge distance.



**CUTD**

CONDENSING UNIT TIE DOWN  
PRODUCT SPECIFICATIONS



DRAWN BY: AF	DATE: 06-01-2009	SCALE: NOT TO SCALE	DRAWING NO.
CHECKED BY: IV	DATE: 06-30-2010	REVISION: IG	CUTD

NOTE: ALL DRAWINGS SUBJECT TO CHANGE WITHOUT PRIOR NOTICE.