

STANDARD CONSTRUCTION

MATERIAL:
30 GAUGE ASTM A-653 HOT-DIPPED GALVANIZED
STEEL SHEET

STANDARD SIZES:

MODEL	HEIGHT	BOX QTY
CS-4	1.5"	200
CS-5	2.5"	200

FEATURES

**30 GAUGE GALVANIZED STEEL PROVIDES EXCELLENT
CORROSION RESISTANCE AND LONGEVITY.
5/8" or 1/2" DRYWALL LIP.**

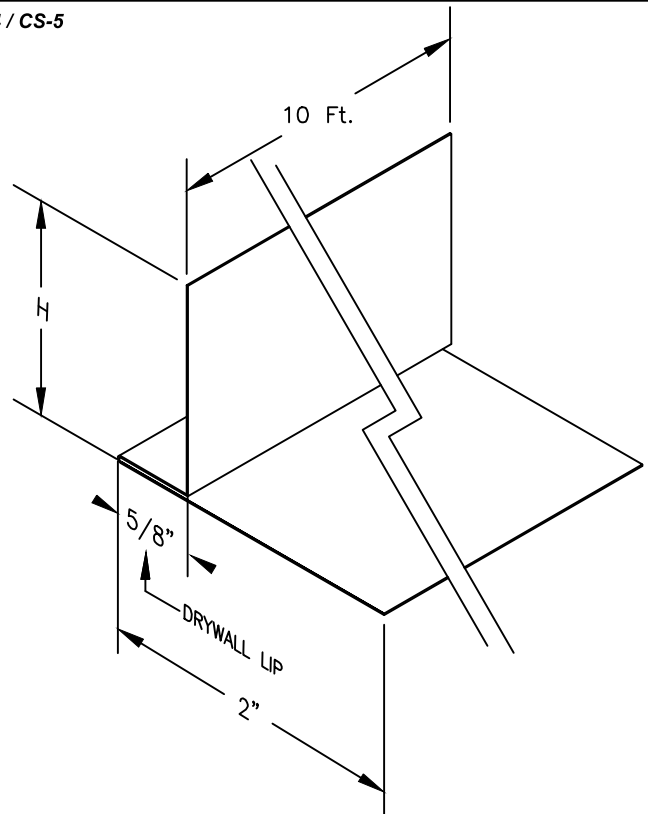
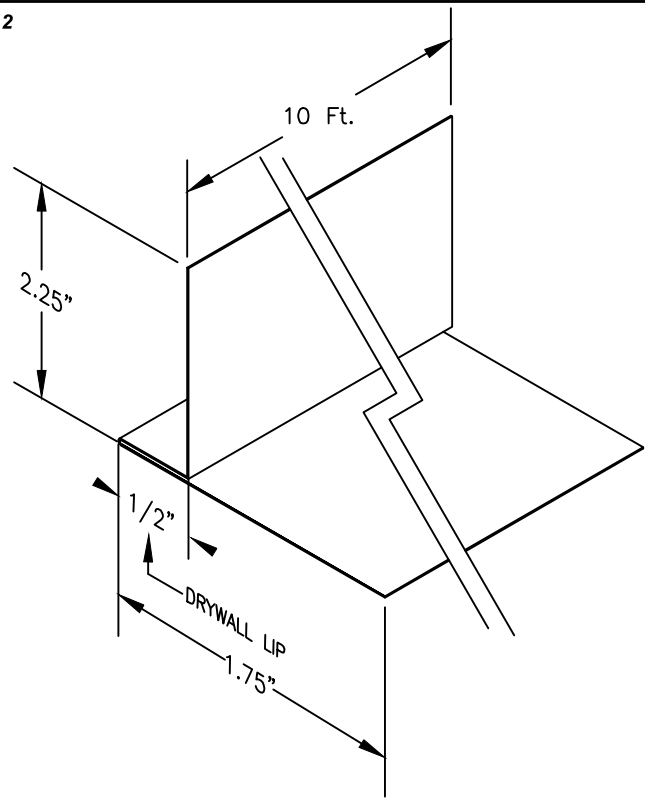
AVAILABLE IN MULTIPLE HEIGHTS TO FIT YOUR NEEDS.

SOLD BY THE FOOT, FULL LENGTH 10' EACH.

BOX QUANTITY 20 PIECES (200).

MODEL	HEIGHT	BOX QTY
CS-412	2.25"	200

JOB NAME:
LOCATION:
ARCHITECT:
ENGINEER:
CONTRACTOR:
<p>CONTACT MIAMI TECH INC. FOR ADDITIONAL INFORMATION OR WITH SPECIAL REQUIREMENTS.</p> <p>3611 NW 74TH ST MIAMI, FL 33147 PHONE: 305-693-7054 FAX: 305-693-6152</p> <p>WEB: WWW.MIAMITECH.COM EMAIL: SALES@MIAMITECH.COM</p>

CS-4 / CS-5

CS-412

CS

CAN STOCK
PRODUCT SPECIFICATIONS

NOTE: ALL DRAWINGS SUBJECT TO CHANGE WITHOUT PRIOR NOTICE.