

PARTS:

1. MODEL 615: UL CLASSIFIED RADIATION DAMPER
2. 1" PERIMETER FLANGE AND SLEEVE
(22 GAUGE ASTM A-653 HOT-DIPPED GALVANIZED STEEL SHEET)
3. UL CLASSIFIED R-6 OR R-8 DUCTBOARD PLENUM
(OPTIONAL-SEE INSTALLATION INSTRUCTIONS)

1 HOUR RATED CRD/PLENUM ASSEMBLY FOR FLOOR/CEILING AND ROOF/CEILING WOOD TRUSS ASSEMBLIES OF CONSTRUCTION L-528, L-546, L-558, L-562, L-563, L-585, M-516, P-533, P-544, and P-547 TYPES.

FEATURES

DESIGNED TO FUNCTION AS A HEAT BARRIER IN AIR HANDLER OPENINGS IN FIRE RESISTANT MEMBRANE CEILINGS.

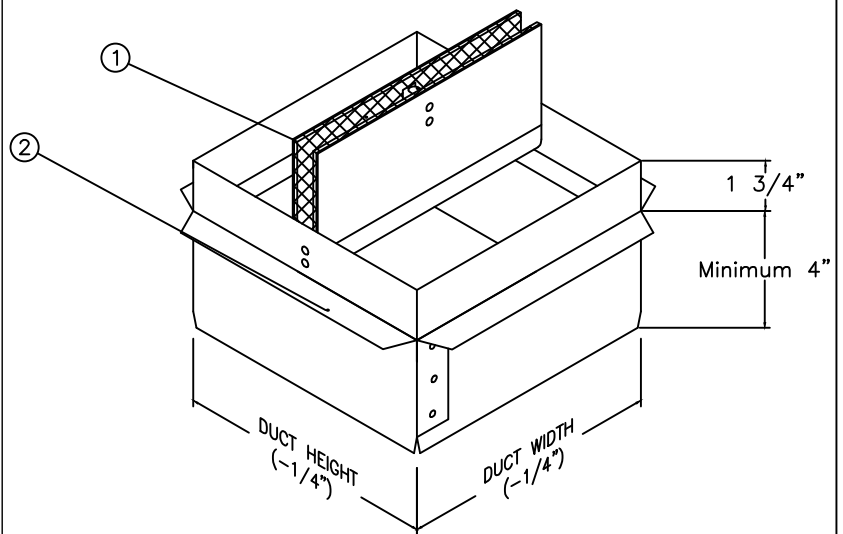
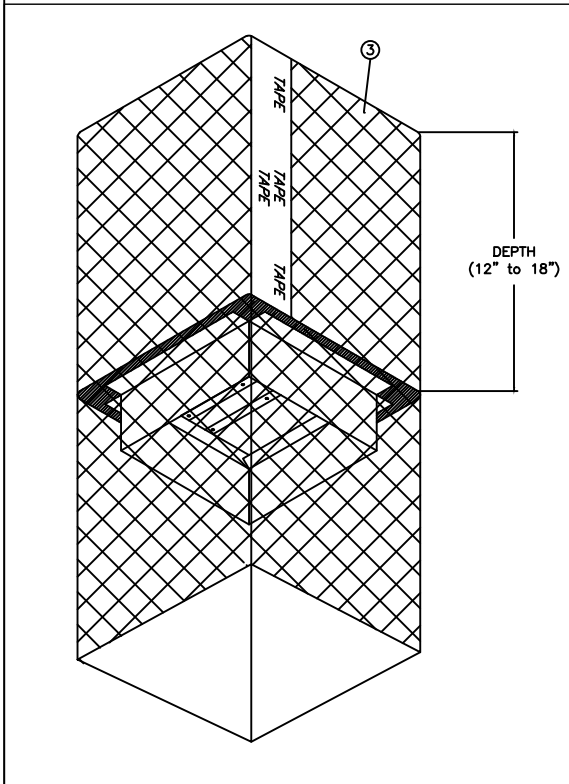
UL APPROVED FOR USE IN DESIGN TYPES L-528, L-546, L-558, L-562, L-563, L-585, M-516, P-533, P-544, AND P-547 (SIMILAR DESIGN APPLICATIONS*: L-521, L-550, L-586 AND P-522).

AVAILABLE WITH R-6 OR R-8 DUCTBOARD PLENUM INSTALLED WITH DEPTHS OF 12", 14", 16" or 18", OR DAMPER/SLEEVE ASSEMBLY ALONE.

1" PERIMETER FLANGE PROVIDED FOR BOOT CLIP OR ANGLE INSTALLATION.

6" X 4" MINIMUM / 16" X 16" MAXIMUM REGISTER DIMENSIONS.

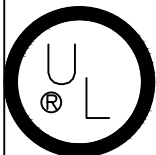
OPTIONS: CUSTOM SIZES AVAILABLE



APPLICATION

CRPD IS UL-APPROVED RADIATION DAMPER THAT CAN BE USED AS SUPPLY/RETURN AIR PLENUM TO CONNECT TO AIR HANDLER UNIT BELOW THE CEILING ASSEMBLY OR A DUCT TO DUCT CONNECTION.

*SIMILAR DESIGN APPLICATIONS HAVE NOT BEEN EVALUATED AND ARE NOT UL CLASSIFIED FOR USE WITH THE ASSOCIATED MIAMI TECH PRODUCTS.



UNDERWRITERS LABORATORIES INC.
555C CLASSIFIED
PRIMARY FIRE DAMPER
FILE NO. R10967

CRPD
CEILING RADIATION PLENUM DAMPER
SPECIFICATIONS

DRAWN BY:	AV	DATE:	8/6/2013	SCALE:	NOT TO SCALE	DRAWING NO.	CRPD
CHECKED BY:	IG	DATE:	4/14/2016	REVISION:	B		