



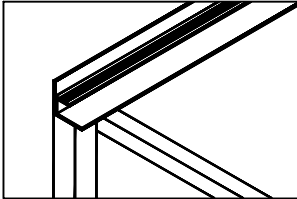
PLEASE SEND US A COPY OF THIS FORM WITH YOUR ORDER.

CUSTOM AIR HANDLER STAND

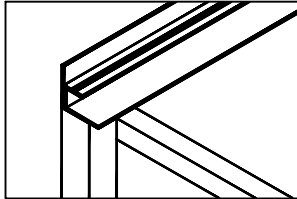
USE THIS GUIDE TO DETERMINE THE PROPER MODEL NUMBER OF THE STAND YOU NEED. THESE STANDS ARE CUSTOM BUILT TO YOUR SPECIFICATIONS. IF THE MODEL NUMBER GIVEN TO US IS INCORRECT, THE UNIT WILL BE DIFFERENT DIMENSIONS THAN REQUIRED.

FOLLOW EACH STEP IN ORDER AND GIVE THE CORRESPONDING LETTERS OR NUMBERS IN THE BOXES BELOW. THIS WILL GIVE YOU THE PROPER MODEL NUMBER. IF YOU ARE STILL UNSURE OF HOW TO PLACE AN ORDER, CONTACT US AND A REPRESENTATIVE WILL GUIDE YOU THROUGH THE PROCESS.

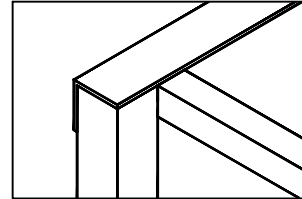
1



HEB:
2" ANGLE, 1" FILTER TRACK
1" BOX TUBE LEG



UHB:
2" ANGLE, 1" FILTER TRACK
1.5" BOX TUBE LEG



UHB-HP*:
2" ANGLE
1.5" BOX TUBE LEG
*WATER SOURCE HEAT PUMP BASE

WRITE SELECTED MODEL NUMBER IN BLOCK 1 BELOW.

2

A. LEG HEIGHT: _____ inches
B. CLEAR HEIGHT

IF YOU NEED A SPECIFIC CLEAR HEIGHT, USE THE FORMULAS BELOW:

HEB: (2B) (CLEAR HEIGHT) + 1.5" = (2A) (LEG HEIGHT)

UHB: (2B) (CLEAR HEIGHT) + 1.5" = (2A) (LEG HEIGHT)

UHB-HP: (2B) (CLEAR HEIGHT) + 1.5" = (2A) (LEG HEIGHT)

WRITE THE LEG HEIGHT IN BLOCK 2A BELOW.

3

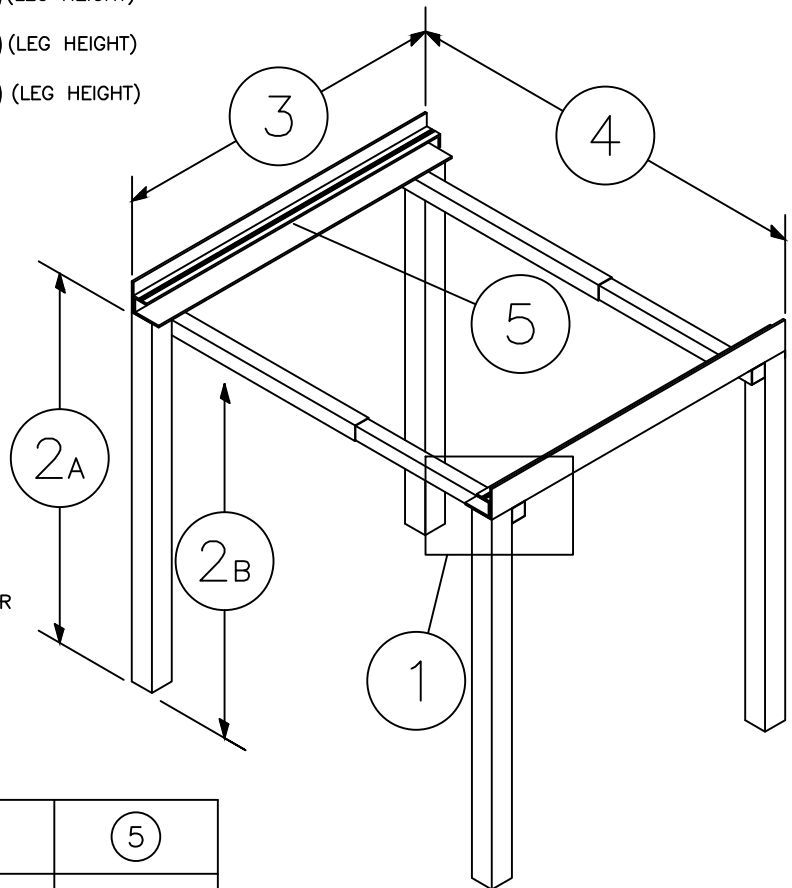
DEPTH OF UNIT: _____ inches
WRITE THE DEPTH IN BLOCK 3 BELOW.

4

RANGE OF ADJUSTABLE WIDTH:
N: 14" - 24", W: 17" - 27" OR WRITE IN A CUSTOM RANGE.
FIXED WIDTH ALSO AVAILABLE: _____ inches
WRITE THE WIDTH IN BLOCK 4 BELOW.

5

FILTER TRACK COMES STANDARD WITH HEB AND UHB.
LEAVE BLOCK 5 BLANK IF YOU WANT A FILTER TRACK.
WRITE A "P" IN BLOCK 5 IF YOU DO NOT WANT A FILTER TRACK.



THE MODEL NUMBER IS CREATED IN THE BOXES BELOW.

1	2A	3	4	5

HEB/UHB/UHB-HP*
AIR HANDLER STAND
ORDER FORM



miami tech inc.

DRAWN BY: AF	DATE: 08/16/07	SCALE: NOT TO SCALE	DRAWING NO. HEB/UHB
CHECKED BY: IG	DATE: 10/26/12	REVISION: 2	