



STANDARD CONSTRUCTION

MATERIAL:
26/28/30 GAUGE ASTM A-653 HOT-DIPPED
GALVANIZED STEEL SHEET

STANDARD SIZES:

MODEL	SIZE BASE X BRANCH X BRANCH	GAUGE	QTY.
AWT64	6" X 4" X 4"	30/26	1
AWT75	7" X 5" X 5"	30/26	1
AWT86	8" X 6" X 6"	30/26	1
AWT97	9" X 7" X 7"	28/26	1
AWT108	10" X 8" X 8"	28/26	1
AWT1210	12" X 10" X 10"	28/26	1

FEATURES

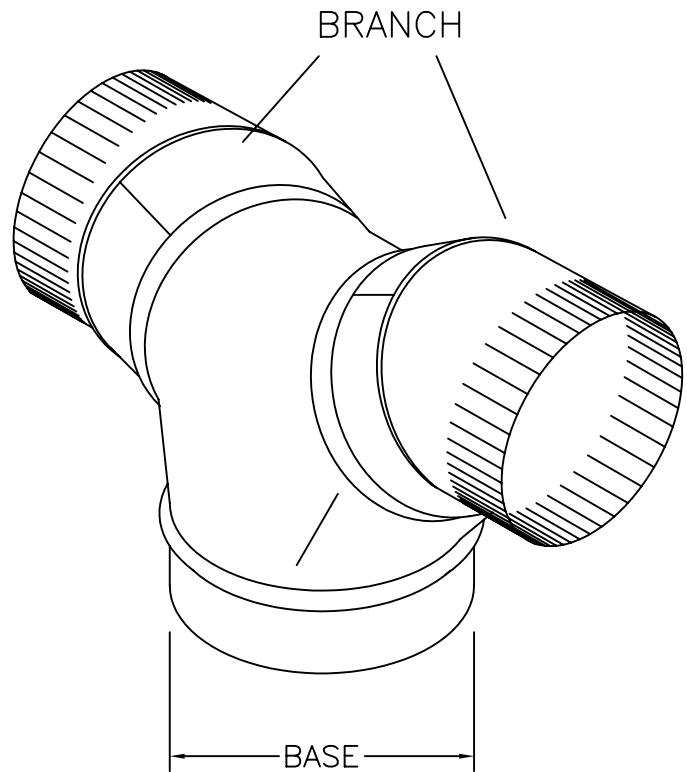
GALVANIZED STEEL PROVIDES EXCELLENT CORROSION RESISTANCE AND LONGEVITY.

FEMALE CONNECTION AT THE BASE.

CRIMPED MALE CONNECTIONS ON THE BRANCHES.

BOTH BRANCHES HAVE AN ADJUSTABLE 45 DEGREE ANGLE.

OPTIONS: CUSTOM SIZES AVAILABLE.
AVAILABLE WITHOUT CRIMPS



JOB NAME:
LOCATION:
ARCHITECT:
ENGINEER:
CONTRACTOR:
CONTACT MIAMI TECH INC. FOR ADDITIONAL INFORMATION OR WITH SPECIAL REQUIREMENTS. 3611 NW 74TH ST MIAMI, FL 33147 PHONE: 305-693-7054 FAX: 305-693-6152 WEB: WWW.MIAMITECH.COM EMAIL: SALES@MIAMITECH.COM

AWT

ADJUSTABLE WYE (TWO WAY)
PRODUCT SPECIFICATIONS

NOTE: ALL DRAWINGS SUBJECT TO CHANGE WITHOUT PRIOR NOTICE.



DRAWN BY: AF	DATE: 10/31/07	SCALE: NOT TO SCALE
CHECKED BY: IG	DATE: 10/31/07	REVISION: 1

DRAWING NO.
AWT