



STANDARD CONSTRUCTION

MATERIAL:
6061-T6 ALUMINUM EXTRUSION

OPTIONS:
HEAVY DUTY OPTION AVAILABLE
CUSTOM SIZES AVAILABLE

STANDARD SIZES:

PART NO.	HEIGHT (H)	SUPPORT ANGLE WIDTH
APS1P18-12	18"	12"
APS1P18-18	18"	18"
APS1P18-20	18"	20"
APS1P24-12	24"	12"
APS1P24-18	24"	18"
APS1P24-20	24"	20"
APS1P30-12	30"	12"
APS1P30-18	30"	18"
APS1P30-20	30"	20"

FEATURES

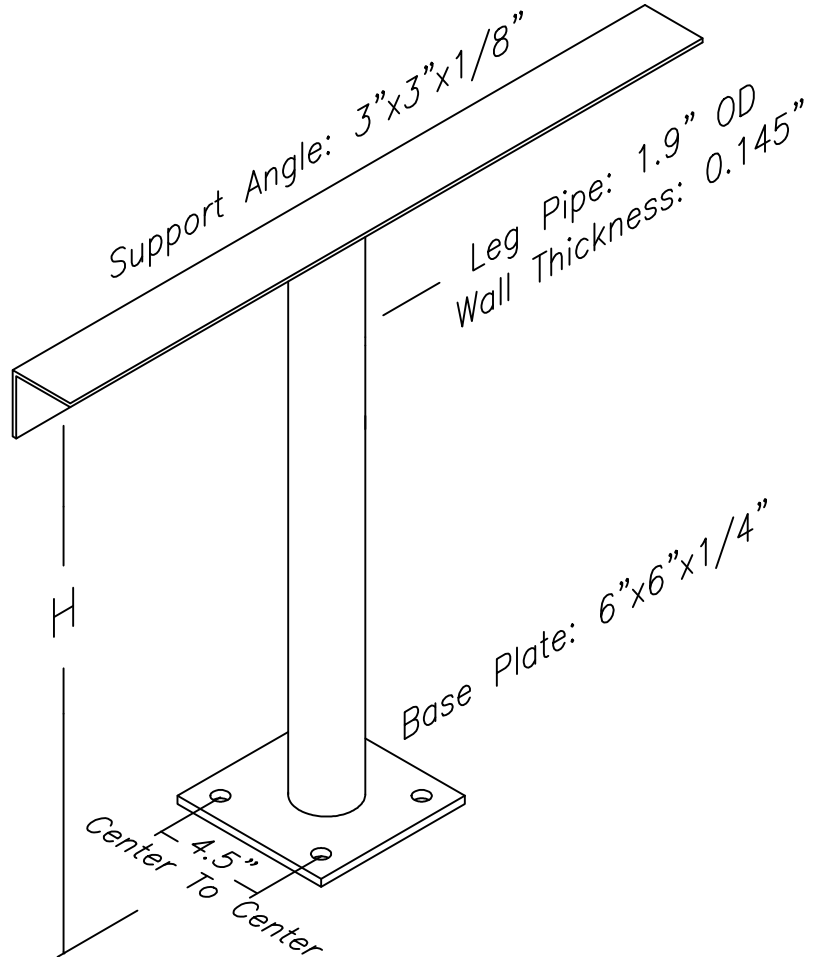
6061-T6 ALUMINUM PROVIDES EXCELLENT CORROSION RESISTANCE AND LONGEVITY.

1/4" THICK BASE PLATE ALLOWS FOR SOLID SUPPORT.

HEAVY DUTY WELDS AT BASE PROVIDE SUPERIOR STRENGTH.

NO FIELD WELDING REQUIRED.

CUSTOM SIZES AVAILABLE UPON REQUEST.



JOB NAME:
LOCATION:
ARCHITECT:
ENGINEER:
CONTRACTOR:
CONTACT MIAMI TECH INC. FOR ADDITIONAL INFORMATION OR WITH SPECIAL REQUIREMENTS. 3611 NW 74TH ST MIAMI, FL 33147 PHONE: 305-693-7054 FAX: 305-693-6152 WEB: WWW.MIAMITECH.COM EMAIL: SALES@MIAMITECH.COM

APS1PXX-XX

SINGLE LEG ALUMINUM PIPE STAND
PRODUCT SPECIFICATIONS

NOTE: ALL DRAWINGS SUBJECT TO CHANGE WITHOUT PRIOR NOTICE.



DRAWN BY: CG	DATE: 09/11/16	SCALE: NOT TO SCALE	DRAWING NO. APS1P
CHECKED BY: IV	DATE: 08/29/16	REVISION: 2	