



STANDARD CONSTRUCTION

MATERIAL:
20 GAUGE/G-60 ASTM A-653 HOT-DIPPED
GALVANIZED STEEL SHEET

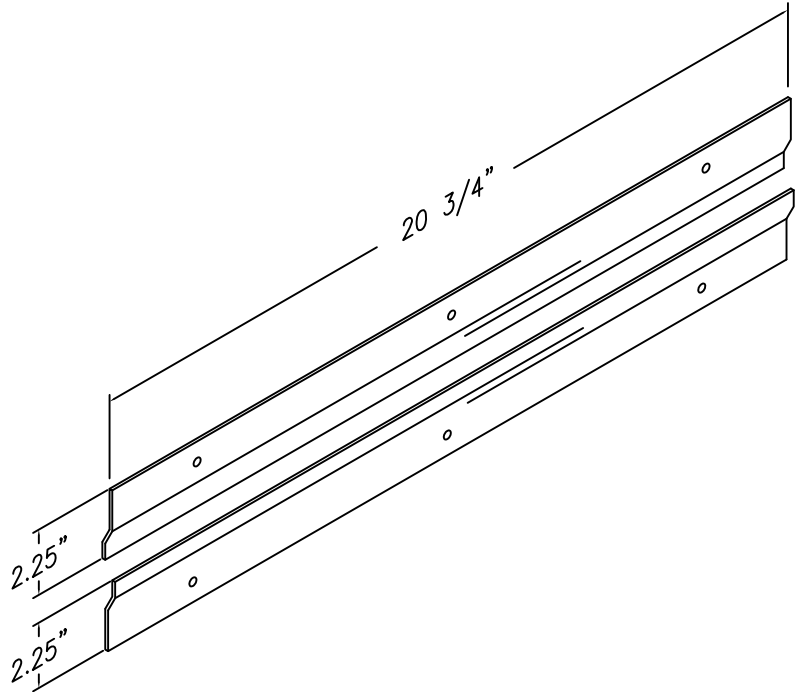
FEATURES

GALVANIZED STEEL PROVIDES EXCELLENT CORROSION
RESISTANCE AND LONGEVITY.

EASILY MOUNTS VARIOUS SIZES OF AIR HANDLERS
TO THE WALL.

SOLD IN BUNDLE QUANTITIES OF 2 PIECES.

OPTION: CUSTOM SIZES AVAILABLE.



JOB NAME:
LOCATION:
ARCHITECT:
ENGINEER:
CONTRACTOR:
CONTACT MIAMI TECH INC. FOR ADDITIONAL INFORMATION OR WITH SPECIAL REQUIREMENTS.
3611 NW 74TH ST MIAMI, FL 33147 PHONE: 305-693-7054 FAX: 305-693-6152
WEB: WWW.MIAMITECH.COM EMAIL: SALES@MIAMITECH.COM

AHB

AIR HANDLER BRACKET
WALL MOUNTING KIT
PRODUCT SPECIFICATIONS

NOTE: ALL DRAWINGS SUBJECT TO CHANGE WITHOUT PRIOR NOTICE.



DRAWN BY: AF	DATE: 10/09/07	SCALE: NOT TO SCALE	DRAWING NO.
CHECKED BY: IG	DATE: 6/7/2012	REVISION: 2	AHB