



STANDARD CONSTRUCTION

MATERIAL:
22 GAUGE ASTM A-653 HOT-DIPPED GALVANIZED STEEL SHEET

STANDARD SIZES:

MODEL	SIZE	DEPTH
ADS8	8" - 12"	12"
ADS12	12" - 16"	12"
ADS16	16" - 18"	12"
ADS18	18" - 22"	12"

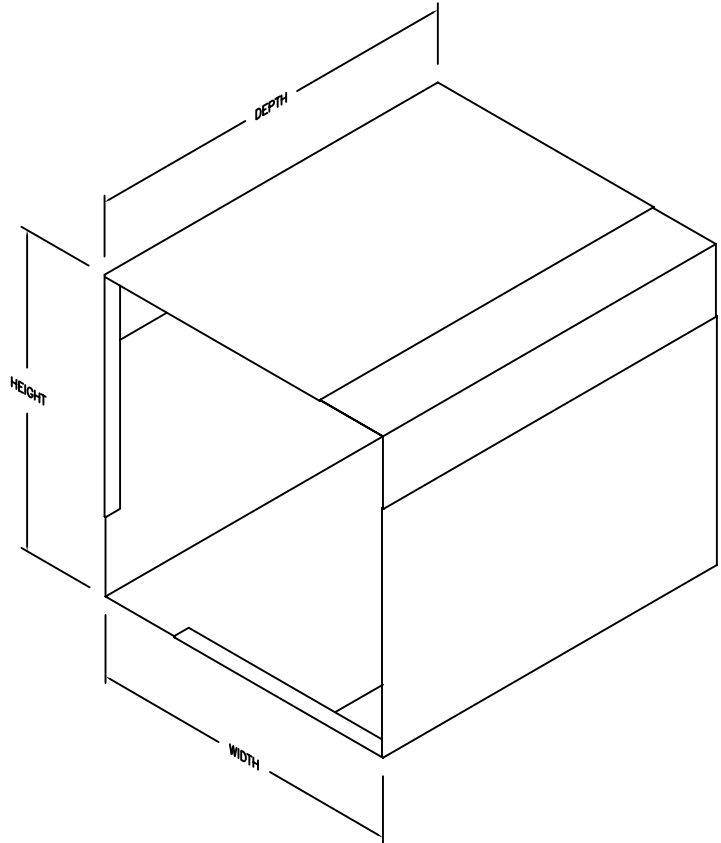
FEATURES

GALVANIZED STEEL PROVIDES EXCELLENT CORROSION RESISTANCE AND LONGEVITY.

USED IN MOUNTING FIRE DAMPERS.

EASY SLIDE ADJUSTMENT ALLOWS THIS SLEEVE TO FIT VARIOUS FIRE DAMPER SIZES.

OPTIONS: CUSTOM SIZES AVAILABLE



JOB NAME:
LOCATION:
ARCHITECT:
ENGINEER:
CONTRACTOR:
CONTACT MIAMI TECH INC. FOR ADDITIONAL INFORMATION OR WITH SPECIAL REQUIREMENTS. 3611 NW 74TH ST MIAMI, FL 33147 PHONE: 305-693-7054 FAX: 305-693-6152 WEB: WWW.MIAMITECH.COM EMAIL: SALES@MIAMITECH.COM

ADS

ADJUSTABLE DAMPER SLEEVE
PRODUCT SPECIFICATIONS

NOTE: ALL DRAWINGS SUBJECT TO CHANGE WITHOUT PRIOR NOTICE.



DRAWN BY: AF	DATE: 11/21/07	SCALE: NOT TO SCALE
CHECKED BY: IG	DATE: 11/21/07	REVISION: 1

DRAWING NO.
ADS