

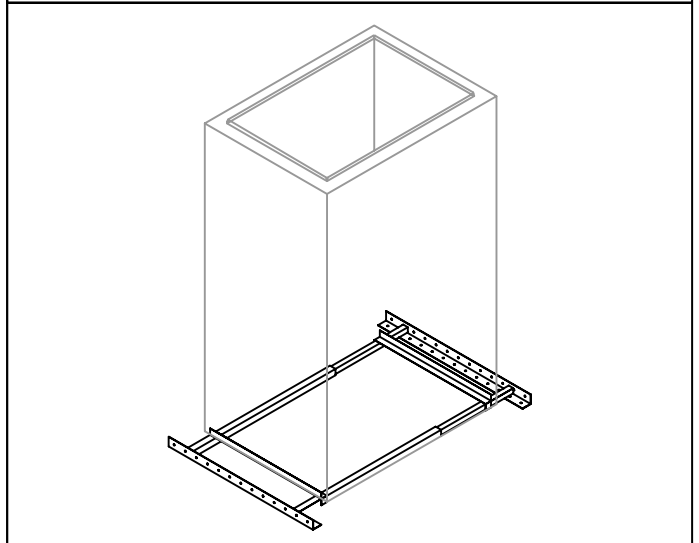
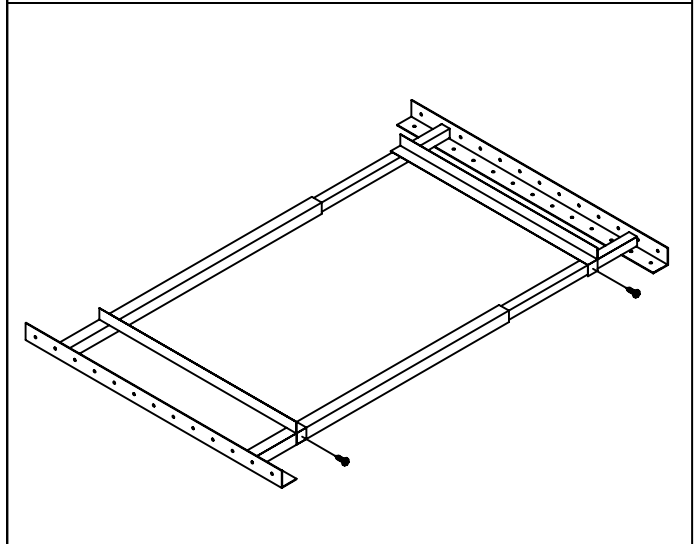
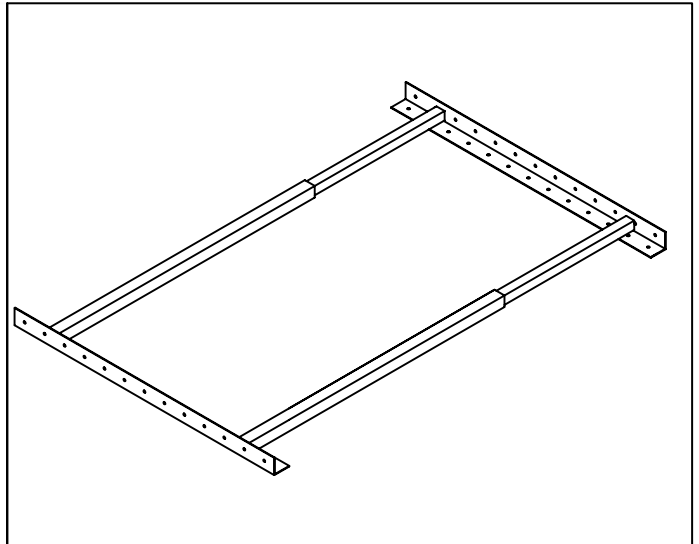
**Reinforcement:**

Partition reinforcing : By Other  
Provide 1"x4" wood backing on both sides between studs to fasten wall brackets (min. 3 studs per side)

**Installation:**

1. Extend wall bracket to width of closet (40" max width) and affix to reinforcing panel behind gypsum, using #8x1-1/2" wood screws (4 per side, evenly spaced). Verify that the bracket is level.
2. Install guide angles onto the bracket, and affix with sheet metal screws.
3. Mount Air Handler, sliding it in between the guide angles.

Note: 450 max load for AAWB.



**AAWB**  
**Adjustable Air Handler Wall Bracket**  
Installation Instructions

NOTE: ALL DRAWINGS SUBJECT TO CHANGE WITHOUT PRIOR NOTICE.