

MIAMI-TECH, INC.

"AST" STANDS FOR MECHANICAL UNITS

HVHZ & NON-HVHZ

NON-SITE-SPECIFIC STRUCTURAL PERFORMANCE EVALUATION. A DESIGN PROFESSIONAL SHALL BE RESPONSIBLE FOR CERTIFYING THE APPLICATION OF THIS INFORMATION TO ANY SITE-SPECIFIC LOCATION

RICHARD NEET, P.E.
PE# 86488 CA# 9885

MARCH 11, 2024

SPACE RESERVED FOR DIGITAL SEAL INFORMATION

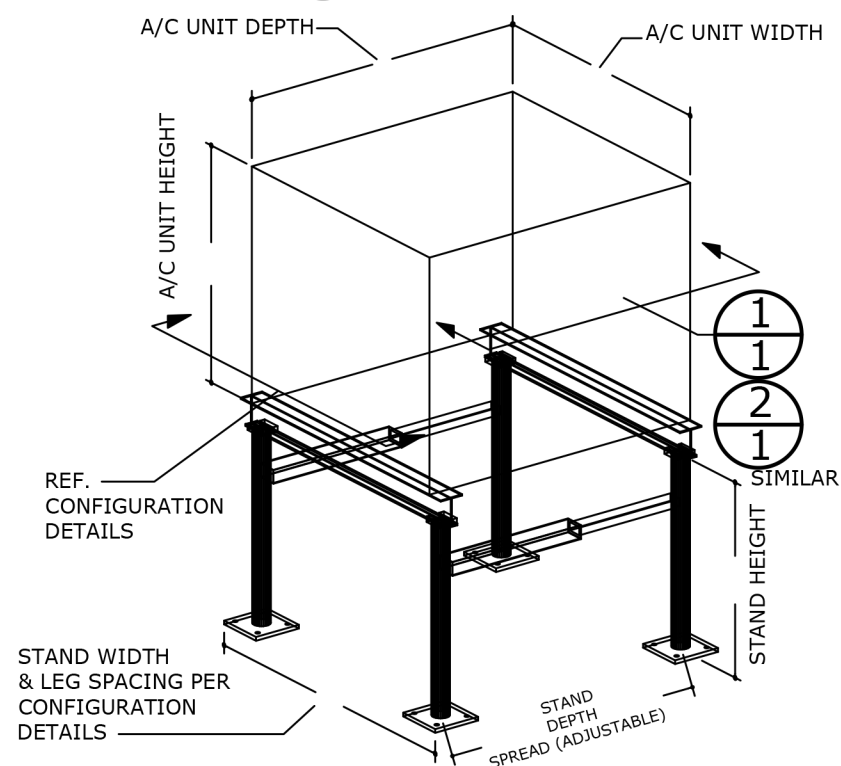
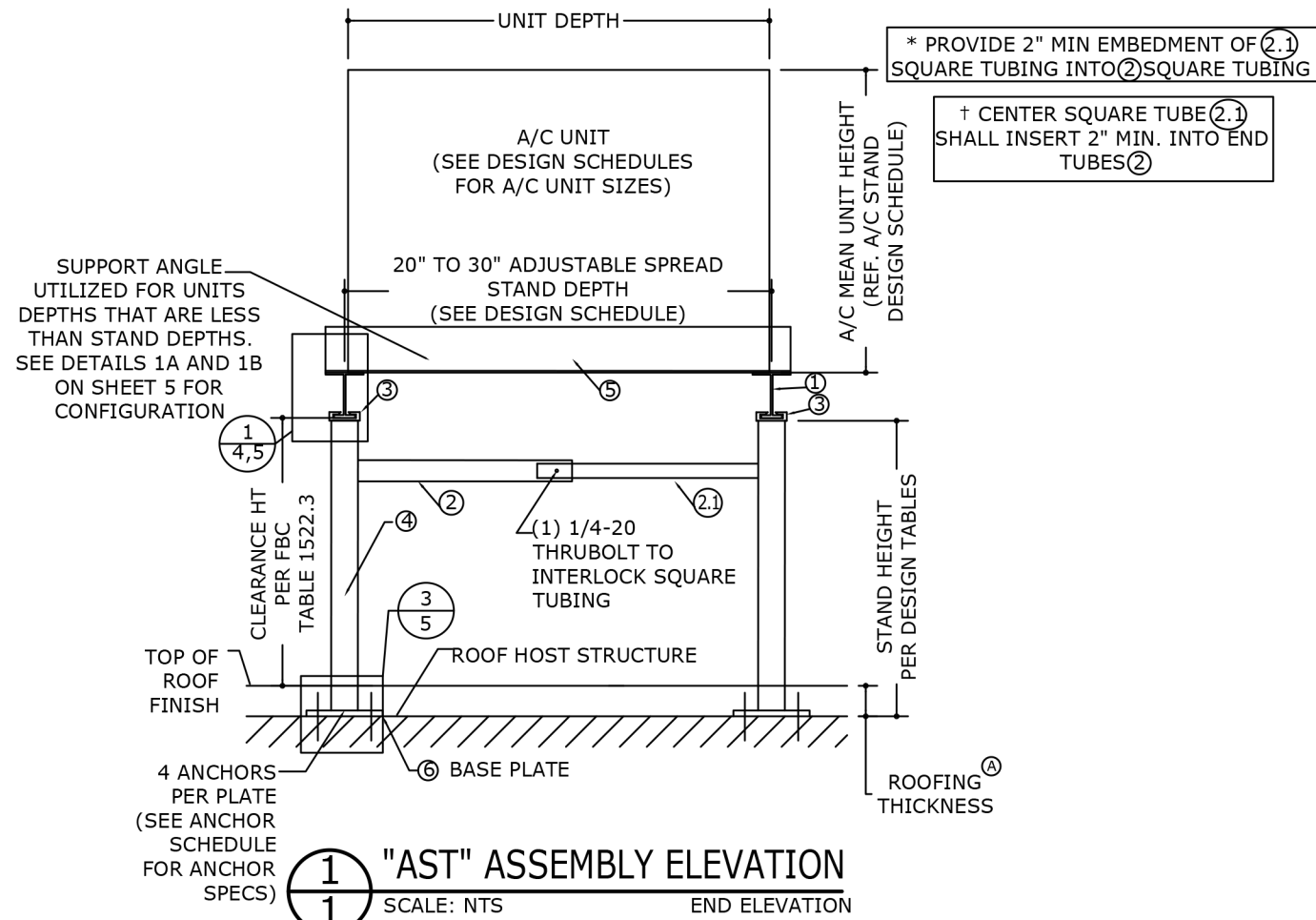
PE SEAL REQUIRED

WHEN DIGITALLY SEALED, THIS NOTE SHALL BE FULLY COVERED ON SHEET 1

WHEN PRINTED OR PHYSICALLY SEALED, SEAL OF CERTIFYING ENGINEER, AND DATE OF CERTIFICATION SHALL BE SHOWN TO THE RIGHT.

IN ALL CASES, CERTIFYING ENGINEER AND CERT OF AUTH AS LISTED ON STAMP

COPIES NOT VALID FOR PERMIT



ROOFING FINISH THICKNESS SHALL BE ACCOUNTED FOR BY CONTRACTOR WHEN DETERMINING REQUIRED STAND HEIGHT IN ACCORDANCE WITH THE FBC OR THE LOCAL JURISDICTION.

REQUIRED STAND DEPTH SHALL BE DETERMINED BY CONTRACTOR

75# MIN./450 # MAX UNIT WEIGHT AS VERIFIED BY OTHERS, TYP.

MAXIMUM ALLOWABLE DESIGN PRESSURES:

AS NOTED IN DESIGN SCHEDULES

DESIGN NOTES:

DESIGN PRESSURES CALCULATED FOR USE WITH THIS SYSTEM SHALL BE DETERMINED SEPARATELY ON A JOB-SPECIFIC BASIS IN ACCORDANCE WITH THE GOVERNING CODE USING ASD METHODOLOGY. SITE-SPECIFIC PRESSURE REQUIREMENTS AS DETERMINED IN ACCORDANCE WITH ASCE 7-16 AND CHAPTER 16 OF THE FLORIDA BUILDING CODE SEVENTH EDITION (2020) OR WITH ASCE 7-22 AND CHAPTER 16 OF THE FLORIDA BUILDING CODE SEVENTH EDITION (2023) SHALL BE LESS THAN OR EQUAL TO THE LATERAL AND UPLIFT DESIGN PRESSURE CAPACITY VALUES LISTED HEREIN FOR ANY ASSEMBLY AS SHOWN.

GENERAL NOTES

- THIS SYSTEM HAS BEEN DESIGNED AND SHALL BE FABRICATED IN ACCORDANCE WITH THE STRUCTURAL PROVISIONS OF THE FLORIDA BUILDING CODE SEVENTH EDITION (2020) AND THE FLORIDA BUILDING CODE EIGHTH EDITION (2023).
- MAXIMUM DIMENSIONS AND WEIGHT OF A/C UNIT SHALL CONFORM TO SPECIFICATIONS STATED HEREIN, MINIMUM 75LB OR MAXIMUM AS LISTED HEREIN.
- THE ARCHITECT/ENGINEER OF RECORD FOR THE PROJECT SUPERSTRUCTURE WITH WHICH THIS DESIGN IS USED SHALL BE RESPONSIBLE FOR THE INTEGRITY OF ALL SUPPORTING SURFACES TO THIS DESIGN WHICH SHALL BE COORDINATED BY THE PERMITTING CONTRACTOR.
- REACTION FORCES LISTED FOR USE WITH HOST STRUCTURE VERIFICATION ARE CALCULATED USING ASD METHODOLOGY. DESIGN PROFESSIONAL OF RECORD TO VERIFY APPLICABILITY AND/OR ADDITIONAL FACTORS FOR USE WITH HOST STRUCTURE VERIFICATION.
- ALL FASTENERS TO BE #10 OR GREATER SAE GRADE 5, UNLESS NOTED OTHERWISE, CADMIUM PLATED OR OTHERWISE CORROSION RESISTANT MATERIAL AND SHALL COMPLY WITH J.3.3, SPECIFICATIONS FOR ALUM. STRUCTURES -SECTION 1, THE ALUMINUM ASSOCIATION, INC., & APPLICABLE FEDERAL, STATE, AND LOCAL CODES. PROVIDE (3) PITCHES MIN PAST THREAD PLANE.
- ALL EXTRUDED MEMBERS SHALL BE ALUMINUM ALLOY TYPE 6061-T6 OR 6005-T5.
- ALL 22GA DEFORMED STEEL STRAPS USED FOR UNIT TIE-DOWNS SHALL BE $F_y = 36$ KSI MIN. STEEL. FABRICATION OF STEEL STRAPS SHALL BE BY STRAP MANUFACTURER ONLY.
- ALL EXISTING CONCRETE SUBSTRATE SHALL HAVE MINIMUM f'_c COMPRESSIVE STRENGTH OF 3000 PSI AS VERIFIED BY OTHERS, U.N.O.
- ALUMINUM WELDING SHALL BE PERFORMED IN ACCORDANCE WITH FBC SECTION 2003.8.1 WITH WELD FILLER ALLOYS MEETING ANSI/AWS A5.10 STANDARDS TO ACHIEVE ULTIMATE DESIGN STRENGTH IN ACCORDANCE WITH THE ALUMINUM DESIGN MANUAL, TABLE J.2.1. SUGGESTED WELD FILLER: 5356 ELECTRODES. ALL ALUMINUM CONSTRUCTION SHALL BE IN CONFORMANCE WITH THE TOLERANCES, QUALITY AND METHODS OF CONSTRUCTION AS SET FORTH IN FBC SECTION 2003.2 AND THE AMERICAN WELDING SOCIETY'S STRUCTURAL WELDING CODE-ALUMINUM (D1.2). MINIMUM WELD IS $\frac{1}{8}$ " THROAT FULL PERIMETER FILLET WELD UNLESS OTHERWISE NOTED.
- THE CONTRACTOR IS RESPONSIBLE TO INSULATE MEMBERS FROM DISSIMILAR MATERIALS TO PREVENT ELECTROLYSIS.
- ELECTRICAL GROUND, WHEN REQUIRED, TO BE DESIGNED & INSTALLED BY OTHERS. ALL MECHANICAL SPECIFICATIONS (CLEAR SPACE, TONNAGE, ETC.) SHALL BE AS PER MANUFACTURER RECOMMENDATIONS AND ARE THE EXPRESS RESPONSIBILITY OF THE CONTRACTOR.
- ENGINEER SEAL AFFIXED HERETO VALIDATES STRUCTURAL DESIGN AS SHOWN ONLY. USE OF THIS SPECIFICATION BY CONTRACTOR, et. al. INDEMNIFIES & SAVES HARMLESS THIS ENGINEER FOR ALL COST & DAMAGES INCLUDING LEGAL FEES & APPELLATE FEES RESULTING FROM MATERIAL FABRICATION, SYSTEM ERECTION, CONSTRUCTION PRACTICES BEYOND THAT WHICH IS CALLED FOR BY LOCAL, STATE, & FEDERAL CODES & FROM DEVIATIONS OF THIS PLAN.
- THE SYSTEM DETAILED HEREIN IS GENERIC AND DOES NOT PROVIDE INFORMATION FOR A SPECIFIC SITE. FOR SITE CONDITIONS DIFFERENT FROM THE CONDITIONS DETAILED HEREIN, A LICENSED ENGINEER OR REGISTERED ARCHITECT SHALL PREPARE SITE SPECIFIC DOCUMENTS FOR USE IN CONJUNCTION WITH THIS DOCUMENT.
- EXCEPT AS EXPRESSLY PROVIDED HEREIN, NO ADDITIONAL CERTIFICATIONS OR AFFIRMATIONS ARE INTENDED.
- AC STANDS SHALL LABELED PER MIAMI-DADE REQUIREMENTS FOR NON-MANDATORY PRODUCT APPROVALS IN ACCORDANCE WITH THE FLORIDA BUILDING CODE.

DIGITAL SEAL NOTICE:
IF THIS DOCUMENT IS DIGITALLY SIGNED, THIS SHEET IS PART OF A DIGITALLY SIGNED FILE. IT SHALL REMAIN IN DIGITAL FORMAT, SHALL BE VERIFIED BY ELECTRONIC MEANS, & PRINTED COPIES OF THIS DOCUMENT ARE NOT CONSIDERED SIGNED AND SEALED.

PRINTED DOCUMENT NOTICE:
IF THIS DOCUMENT IS PRINTED & DOES NOT CONTAIN AN ENGINEER'S ORIGINAL SIGNATURE & SEAL, THIS DOCUMENT IS VOID & NOT VALID FOR USE. PHOTOCOPIES ARE NOT PERMITTED FOR USE.

VALID FOR 1 PERMIT ONLY U.N.O.

ENGINEERING EXPRESS

POSTAL ADDRESS:
2234 NORTH FEDERAL HWY #7664
BOCA RATON, FL 33431
ENGINEERINGEXPRESS.COM

Miami Tech, Inc.
3611 NW 74th St
Miami, FL 33147
(305) 693-7054

"AST" Stand for Mechanical Units
Performance Evaluation
Florida Building Code

REMARKS	DATE	DRWN	CHKD	DATE
INIT ISSUE	2/10/2024	RN	RN	

THIS DOCUMENT IS THE PROPERTY OF ENGINEERING EXPRESS AND SHALL NOT BE REPRODUCED IN WHOLE OR PART WITHOUT WRITTEN CONSENT OF ENGINEERING EXPRESS. ALTERATIONS, ADDITIONS, OR OTHER MARKINGS TO THIS DOCUMENT ARE NOT PERMITTED AND INVALIDATE OUR CERTIFICATION.

COPYRIGHT ENGINEERING EXPRESS®
23-61601

SCALE: NTS UNLESS NOTED

1 OF 5

VISIT ECALC.IO/61601

FOR SITE-SPECIFIC DEVIATIONS & MORE INFORMATION ABOUT THIS DOCUMENT OR SCAN THIS QR CODE

VISIT ENGINEERINGEXPRESS.COM/STORE FOR ADDITIONAL PLANS, REPORTS & RESOURCES



c:\users\rickn\engineering\express\production - documents\projects\23-123-61601_2023 fbc update ast stand (f121464)\work\drawings & cad\23-61601c ast stand.dwg
3/11/2024 10:25 AM RICKN

RICHARD NEET, P.E.
PE# 86488 CA# 9885

SPACE RESERVED FOR DIGITAL SEAL INFORMATION

WHEN DIGITALLY SEALED, THIS NOTE SHALL BE FULLY COVERED ON SHEET 1

WHEN PRINTED OR PHYSICALLY SEALED, SEAL OF CERTIFYING ENGINEER, AND DATE OF CERTIFICATION SHALL BE SHOWN TO THE RIGHT.

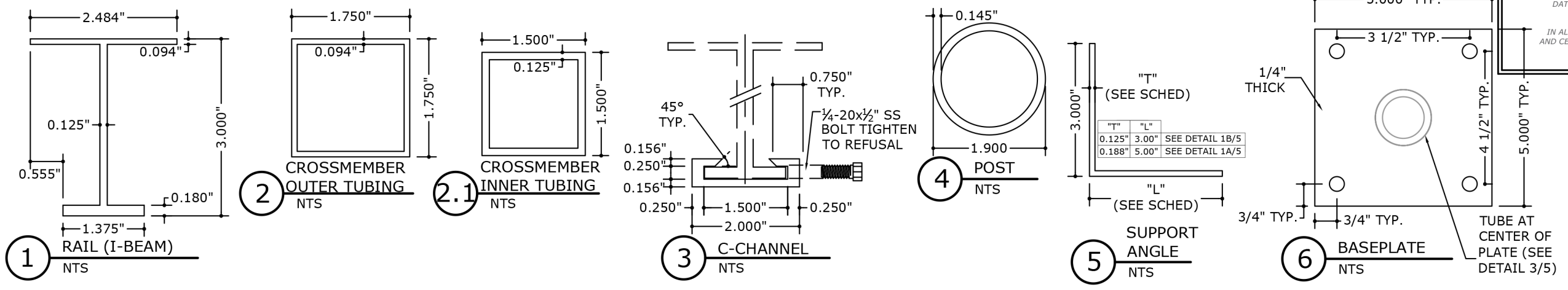
IN ALL CASES, CERTIFYING ENGINEER AND CERT OF AUTH AS LISTED ON STAMP

MARCH 11, 2024

PE SEAL REQUIRED

COPIES NOT VALID FOR PERMIT

STAND COMPONENTS



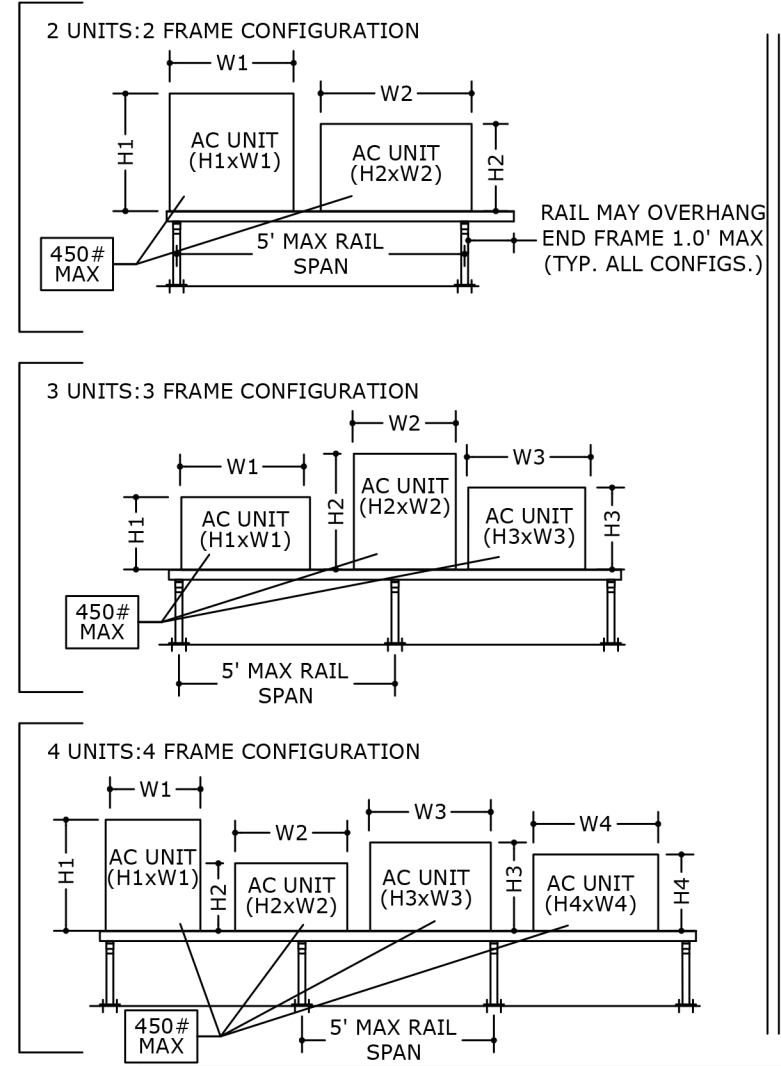
DIGITAL SEAL NOTICE:
IF THIS DOCUMENT IS DIGITALLY SIGNED, THIS SHEET IS PART OF A DIGITALLY SIGNED FILE. IT SHALL REMAIN IN DIGITAL FORMAT, SHALL BE VERIFIED BY ELECTRONIC MEANS, & PRINTED COPIES OF THIS DOCUMENT ARE NOT CONSIDERED SIGNED AND SEALED.

PRINTED DOCUMENT NOTICE:
IF THIS DOCUMENT IS PRINTED & DOES NOT CONTAIN AN ENGINEER'S ORIGINAL SIGNATURE & SEAL, THIS DOCUMENT IS VOID & NOT VALID FOR USE. PHOTOCOPIES ARE NOT PERMITTED FOR USE.

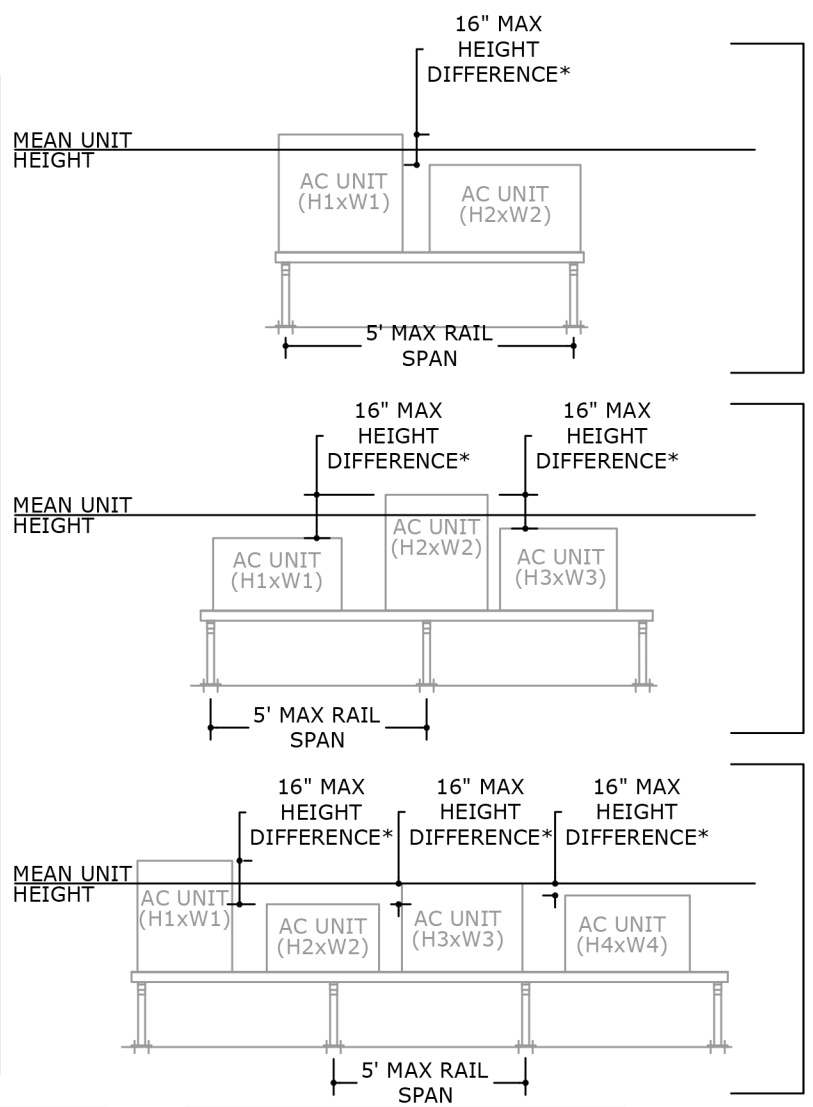
VALID FOR 1 PERMIT ONLY U.N.O.

MEAN UNIT HEIGHT & MAX FACE AREA CALCULATION DIRECTIVE: THIS DIRECTIVE SHALL BE USED TO CALCULATE THE MEAN UNIT HEIGHT & MAXIMUM FACE AREA OF ANY MULTIPLE UNIT CONFIGURATION.

EXAMPLE CONFIGURATIONS:



NOTE: THE NUMBER OF UNITS PER STAND CONFIGURATION MAY BE UNLIMITED PROVIDED THAT MULTIPLE UNITS CONFORM TO THE MEAN UNIT HEIGHT & MAXIMUM UNIT FACE AREA RESTRICTIONS UTILIZED IN THE DESIGN SCHEDULES.



*MAXIMUM ALLOWABLE HEIGHT DIFFERENCE BETWEEN ANY UNITS IN A MULTIPLE UNIT CONFIGURATION IS RESTRICTED TO 16" MAX.

FORMULAS USED FOR DETERMINING MEAN UNIT HEIGHT & MAXIMUM UNIT FACE AREA:

1. CALCULATE THE MEAN UNIT HEIGHT BY THE FOLLOWING EQUATION:

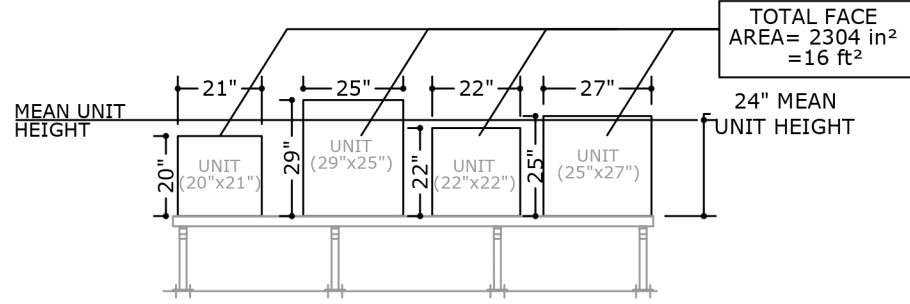
- TWO UNITS: $\frac{H1+H2}{2}$
- THREE UNITS: $\frac{H1+H2+H3}{3}$
- FOUR UNITS: $\frac{H1+H2+H3+H4}{4}$
- "n" UNITS: $\frac{H1+H2+H3+...+Hn}{n}$

2. CALCULATE THE MAXIMUM UNIT FACE AREA BY THE FOLLOWING EQUATION:

- TWO UNITS: $(H1 \times W1) + (H2 \times W2)$
- THREE UNITS: $(H1 \times W1) + (H2 \times W2) + (H3 \times W3)$
- FOUR UNITS: $(H1 \times W1) + (H2 \times W2) + (H3 \times W3) + (H4 \times W4)$
- "n" UNITS: $(H1 \times W1) + ... + (Hn \times Wn)$

EXAMPLE SCENARIO:

- CONSIDER A FOUR UNIT CONFIGURATION WITH THE DIMENSIONS AS SHOWN BELOW.
- CALCULATE THE MEAN UNIT HEIGHT.
 - FOUR UNITS: $\frac{H1+H2+H3+H4}{4} = \frac{20+29+22+25}{4} = 24"$ MEAN UNIT HEIGHT
- CALCULATE THE MAXIMUM FACE AREA.
 - FOUR UNITS: $(H1 \times W1) + (H2 \times W2) + (H3 \times W3) + (H4 \times W4) = (20 \times 21) + (29 \times 25) + (22 \times 22) + (25 \times 27) = 2304 \text{ in}^2 = 16 \text{ ft}^2$



ENGINEERING EXPRESS

POSTAL ADDRESS:
2234 NORTH FEDERAL HWY #7664
BOCA RATON, FL 33431
ENGINEERINGEXPRESS.COM

Miami Tech, Inc.
3611 NW 74th St
Miami, FL 33147
(305) 693-7054

"AST" Stand for Mechanical Units
Performance Evaluation
Florida Building Code

REMARKS	DATE	DRWN	CHKD
INIT ISSUE	2/10/2024	RN	RN

THIS DOCUMENT IS THE PROPERTY OF ENGINEERING EXPRESS AND SHALL NOT BE REPRODUCED IN WHOLE OR PART WITHOUT WRITTEN CONSENT OF ENGINEERING EXPRESS. ALTERATIONS, ADDITIONS, OR OTHER MARKINGS TO THIS DOCUMENT ARE NOT PERMITTED AND INVALIDATE OUR CERTIFICATION.

COPYRIGHT ENGINEERING EXPRESS®
23-61601

SCALE: NTS UNLESS NOTED

ALUMINUM STAND DESIGN SCHEDULE

RICHARD NEET, P.E.
PE# 86488 CA# 9885

MARCH 11, 2024

SPACE RESERVED FOR DIGITAL SEAL INFORMATION

WHEN DIGITALLY SEALED, THIS NOTE SHALL BE FULLY COVERED ON SHEET 1

WHEN PRINTED OR PHYSICALLY SEALED, SEAL OF CERTIFYING ENGINEER, AND DATE OF CERTIFICATION SHALL BE SHOWN TO THE RIGHT.

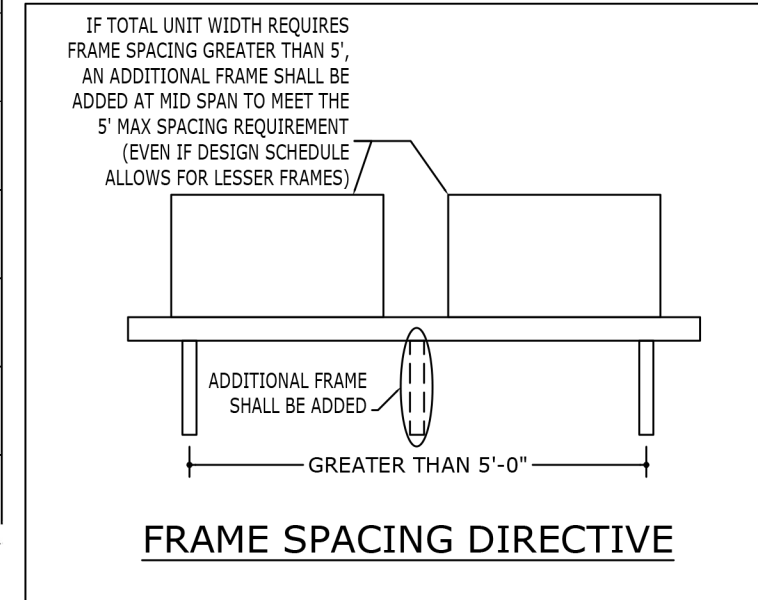
IN ALL CASES, CERTIFYING ENGINEER AND CERT OF AUTH AS LISTED ON STAMP

PE SEAL REQUIRED

COPIES NOT VALID FOR PERMIT

STAND DESIGN SCHEDULE (MAXIMUM ALLOWABLE LATERAL/UPLIFT PRESSURES)

MAX UNIT HEIGHT	MAX FACE AREA	MAX POST HEIGHT	2 FRAMES		3 FRAMES		4 FRAMES		5 FRAMES		6 FRAMES		7 FRAMES		8 FRAMES		9 FRAMES		10 FRAMES			
			LATERAL	UPLIFT	LATERAL	UPLIFT	LATERAL	UPLIFT	LATERAL	UPLIFT	LATERAL	UPLIFT	LATERAL	UPLIFT	LATERAL	UPLIFT	LATERAL	UPLIFT	LATERAL	UPLIFT	LATERAL	UPLIFT
24.0 in	576.0 in ² (= 4.0 sqft)	18 in	200 psf	158 psf	200 psf	158 psf	200 psf	158 psf	200 psf	158 psf	200 psf	158 psf	200 psf	158 psf	200 psf	158 psf	200 psf	158 psf	200 psf	158 psf	200 psf	158 psf
		24 in	194 psf	153 psf	200 psf	158 psf	200 psf	158 psf	200 psf	158 psf	200 psf	158 psf	200 psf	158 psf	200 psf	158 psf	200 psf	158 psf	200 psf	158 psf	200 psf	158 psf
		30 in	160 psf	126 psf	200 psf	158 psf	200 psf	158 psf	200 psf	158 psf	200 psf	158 psf	200 psf	158 psf	200 psf	158 psf	200 psf	158 psf	200 psf	158 psf	200 psf	158 psf
30.0 in	900.0 in ² (= 6.3 sqft)	18 in	161 psf	127 psf	200 psf	158 psf	200 psf	158 psf	200 psf	158 psf	200 psf	158 psf	200 psf	158 psf	200 psf	158 psf	200 psf	158 psf	200 psf	158 psf	200 psf	158 psf
		24 in	124 psf	98 psf	187 psf	147 psf	200 psf	158 psf	200 psf	158 psf	200 psf	158 psf	200 psf	158 psf	200 psf	158 psf	200 psf	158 psf	200 psf	158 psf	200 psf	158 psf
		30 in	102 psf	81 psf	153 psf	121 psf	200 psf	158 psf	200 psf	158 psf	200 psf	158 psf	200 psf	158 psf	200 psf	158 psf	200 psf	158 psf	200 psf	158 psf	200 psf	158 psf
36.0 in	1008.0 in ² (= 7.0 sqft)	18 in	144 psf	114 psf	200 psf	158 psf	200 psf	158 psf	200 psf	158 psf	200 psf	158 psf	200 psf	158 psf	200 psf	158 psf	200 psf	158 psf	200 psf	158 psf	200 psf	158 psf
		24 in	111 psf	88 psf	167 psf	132 psf	200 psf	158 psf	200 psf	158 psf	200 psf	158 psf	200 psf	158 psf	200 psf	158 psf	200 psf	158 psf	200 psf	158 psf	200 psf	158 psf
		30 in	91 psf	72 psf	137 psf	108 psf	183 psf	144 psf	200 psf	158 psf	200 psf	158 psf	200 psf	158 psf	200 psf	158 psf	200 psf	158 psf	200 psf	158 psf	200 psf	158 psf
36.0 in	1152.0 in ² (= 8.0 sqft)	18 in	126 psf	100 psf	189 psf	149 psf	200 psf	158 psf	200 psf	158 psf	200 psf	158 psf	200 psf	158 psf	200 psf	158 psf	200 psf	158 psf	200 psf	158 psf	200 psf	158 psf
		24 in	97 psf	77 psf	146 psf	115 psf	194 psf	153 psf	200 psf	158 psf	200 psf	158 psf	200 psf	158 psf	200 psf	158 psf	200 psf	158 psf	200 psf	158 psf	200 psf	158 psf
		30 in	80 psf	63 psf	120 psf	95 psf	160 psf	126 psf	200 psf	158 psf	200 psf	158 psf	200 psf	158 psf	200 psf	158 psf	200 psf	158 psf	200 psf	158 psf	200 psf	158 psf
36.0 in	1440.0 in ² (= 10.0 sqft)	18 in	101 psf	80 psf	151 psf	119 psf	200 psf	158 psf	200 psf	158 psf	200 psf	158 psf	200 psf	158 psf	200 psf	158 psf	200 psf	158 psf	200 psf	158 psf	200 psf	158 psf
		24 in	78 psf	61 psf	117 psf	92 psf	156 psf	123 psf	194 psf	153 psf	200 psf	158 psf	200 psf	158 psf	200 psf	158 psf	200 psf	158 psf	200 psf	158 psf	200 psf	158 psf
		30 in	64 psf	50 psf	96 psf	76 psf	128 psf	101 psf	160 psf	126 psf	192 psf	151 psf	200 psf	158 psf	200 psf	158 psf	200 psf	158 psf	200 psf	158 psf	200 psf	158 psf
36.0 in	1728.0 in ² (= 12.0 sqft)	18 in	84 psf	66 psf	126 psf	100 psf	168 psf	133 psf	200 psf	158 psf	200 psf	158 psf	200 psf	158 psf	200 psf	158 psf	200 psf	158 psf	200 psf	158 psf	200 psf	158 psf
		24 in	65 psf	51 psf	97 psf	77 psf	130 psf	102 psf	162 psf	128 psf	194 psf	153 psf	200 psf	158 psf	200 psf	158 psf	200 psf	158 psf	200 psf	158 psf	200 psf	158 psf
		30 in	53 psf	42 psf	80 psf	63 psf	107 psf	84 psf	133 psf	105 psf	160 psf	126 psf	186 psf	147 psf	200 psf	158 psf	200 psf	158 psf	200 psf	158 psf	200 psf	158 psf
36.0 in	2160.0 in ² (= 15.0 sqft)	18 in	67 psf	53 psf	101 psf	80 psf	134 psf	106 psf	168 psf	133 psf	200 psf	158 psf	200 psf	158 psf	200 psf	158 psf	200 psf	158 psf	200 psf	158 psf	200 psf	158 psf
		24 in	52 psf	41 psf	78 psf	61 psf	104 psf	82 psf	130 psf	102 psf	156 psf	123 psf	181 psf	143 psf	200 psf	158 psf	200 psf	158 psf	200 psf	158 psf	200 psf	158 psf
		30 in	43 psf	34 psf	64 psf	50 psf	85 psf	67 psf	107 psf	84 psf	128 psf	101 psf	149 psf	118 psf	170 psf	135 psf	192 psf	151 psf	200 psf	158 psf	200 psf	158 psf
40.0 in	3200.0 in ² (= 22.2 sqft)	18 in	45 psf	36 psf	68 psf	54 psf	91 psf	72 psf	113 psf	90 psf	136 psf	108 psf	159 psf	125 psf	182 psf	143 psf	200 psf	158 psf	200 psf	158 psf	200 psf	158 psf
		24 in	35 psf	28 psf	52 psf	41 psf	70 psf	55 psf	87 psf	69 psf	105 psf	83 psf	122 psf	97 psf	140 psf	111 psf	157 psf	124 psf	175 psf	138 psf	200 psf	158 psf
		30 in	29 psf	23 psf	43 psf	34 psf	58 psf	45 psf	72 psf	57 psf	86 psf	68 psf	101 psf	79 psf	115 psf	91 psf	129 psf	102 psf	144 psf	114 psf	200 psf	158 psf
48.0 in	3840.0 in ² (= 26.7 sqft)	18 in	38 psf	30 psf	57 psf	45 psf	76 psf	60 psf	95 psf	75 psf	113 psf	90 psf	132 psf	105 psf	151 psf	119 psf	170 psf	134 psf	189 psf	149 psf	200 psf	158 psf
		24 in	29 psf	23 psf	44 psf	35 psf	58 psf	46 psf	73 psf	58 psf	87 psf	69 psf	102 psf	81 psf	117 psf	92 psf	131 psf	104 psf	146 psf	115 psf	200 psf	158 psf
		30 in	24 psf	19 psf	36 psf	28 psf	48 psf	38 psf	60 psf	47 psf	72 psf	57 psf	84 psf	66 psf	96 psf	76 psf	108 psf	85 psf	120 psf	95 psf	200 psf	158 psf
48.0 in	4800.0 in ² (= 33.3 sqft)	18 in	30 psf	24 psf	45 psf	36 psf	61 psf	48 psf	76 psf	60 psf	91 psf	72 psf	106 psf	84 psf	121 psf	96 psf	136 psf	108 psf	151 psf	119 psf	200 psf	158 psf
		24 in	23 psf	18 psf	35 psf	28 psf	47 psf	37 psf	58 psf	46 psf	70 psf	55 psf	82 psf	64 psf	93 psf	74 psf	105 psf	83 psf	117 psf	92 psf	200 psf	158 psf
		30 in	19 psf	15 psf	29 psf	23 psf	38 psf	30 psf	48 psf	38 psf	58 psf	45 psf	67 psf	53 psf	77 psf	61 psf	86 psf	68 psf	96 psf	76 psf	200 psf	158 psf

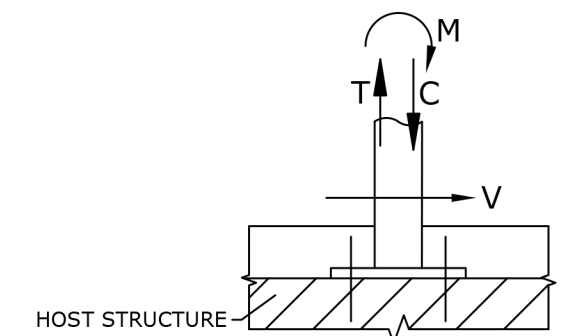


DIGITAL SEAL NOTICE:
IF THIS DOCUMENT IS DIGITALLY SIGNED, THIS SHEET IS PART OF A DIGITALLY SIGNED FILE. IT SHALL REMAIN IN DIGITAL FORMAT, & PRINTED COPIES OF THIS DOCUMENT ARE NOT CONSIDERED SIGNED AND SEALED.
PRINTED DOCUMENT NOTICE:
IF THIS DOCUMENT IS PRINTED & DOES NOT CONTAIN AN ENGINEER'S ORIGINAL SIGNATURE & SEAL, THIS DOCUMENT IS VOID & NOT VALID FOR USE. PHOTOCOPIES ARE NOT PERMITTED FOR USE.
VALID FOR 1 PERMIT ONLY U.N.G.

ENGINEERING EXPRESS
POSTAL ADDRESS:
2234 NORTH FEDERAL HWY #7664
BOCA RATON, FL 33431
ENGINEERINGEXPRESS.COM

Miami Tech, Inc.
3611 NW 74th St
Miami, FL 33147
(305) 693-7054
"AST" Stand for Mechanical Units
Performance Evaluation
Florida Building Code

- DESIGN SCHEDULE NOTES:**
1. MAXIMUM FRAME-TO-FRAME SPACING SHALL NOT EXCEED 5'-0" O.C. (SEE FRAME SPACING DIRECTIVE)
 2. ALLOWABLE STAND DEPTH SHALL BE 20" MINIMUM UP TO 30" MAXIMUM.
 3. A "FRAME" CONSISTS OF (2) POSTS CONNECTED WITH (1) CROSS MEMBER. FOR EXAMPLE, A "2 FRAME" STAND WILL HAVE 4 POSTS TOTAL.
 4. REFERENCE STAND DETAILS HEREIN FOR STAND COMPONENTS AND INSTALLATION OPTIONS.
 5. SEE TIEDOWN DIRECTIVE FOR UNIT TIEDOWN REQUIREMENTS AND LIMITATIONS.
 6. UNIT OR STAND DIMENSIONS OUTSIDE THE PARAMETERS LISTED IN THIS SCHEDULE WILL REQUIRE SEPARATE SITE SPECIFIC ENGINEERING.
 7. REQUIRED DESIGN PRESSURES FOR INSTALLATION SHALL BE CALCULATED ON A SITE SPECIFIC BASIS AND BE LESS THAN OR EQUAL TO THE MAX ALLOWABLE PRESSURES LISTED IN THIS DRAWING.
 8. INTERPOLATION BETWEEN UNIT HEIGHTS, FACE AREA OR POST HEIGHT IS **NOT** PERMITTED.
 9. THE UNIT DEPTH SHALL NOT EXCEED THE MAX UNIT HEIGHT LISTED. SEE THE TIEDOWN STRAP SCHEDULE FOR MINIMUM ALLOWABLE UNIT DEPTHS.



ENGINEER OF RECORD TO VERIFY THAT THE HOST STRUCTURE CAN SUPPORT THE SERVICE LOAD REACTIONS LISTED BELOW:

M = 2.1 KIP-IN
V = 0.3 KIPS
T = C = 0.7 KIPS

1 BASE PLATE REACTIONS
3 NTS

REMARKS	DRWN	CHKD	DATE
INIT ISSUE	RN	RN	2/10/2024

THIS DOCUMENT IS THE PROPERTY OF ENGINEERING EXPRESS AND SHALL NOT BE REPRODUCED IN WHOLE OR PART WITHOUT WRITTEN CONSENT OF ENGINEERING EXPRESS. ALTERATIONS, ADDITIONS, OR OTHER MARKINGS TO THIS DOCUMENT ARE NOT PERMITTED AND INVALIDATE OUR CERTIFICATION.

COPYRIGHT ENGINEERING EXPRESS®
23-61601

SCALE: NTS UNLESS NOTED

3 OF 5

c:\users\rickn\engineering\express\production - documents\projects\23-123-61601_2023 fbc update ast stand (f121464)\work\drawings & cad\23-61601c ast stand.dwg 3/11/2024 10:25 AM RICKN

FRAME ASSEMBLY & UNIT TIE-DOWN DETAILS:

RICHARD NEET, P.E.
PE# 86488 CA# 9885

SPACE RESERVED FOR DIGITAL SEAL INFORMATION

WHEN DIGITALLY SEALED, THIS NOTE SHALL BE FULLY COVERED ON SHEET 1

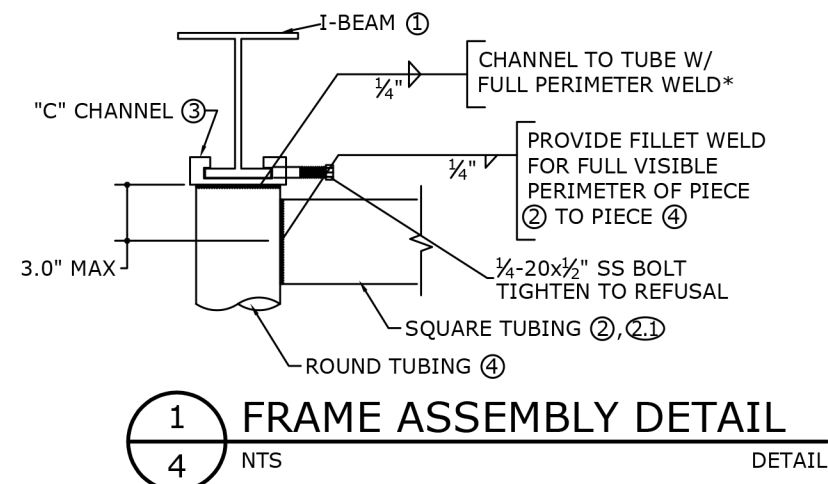
WHEN PRINTED OR PHYSICALLY SEALED, SEAL OF CERTIFYING ENGINEER, AND DATE OF CERTIFICATION SHALL BE SHOWN TO THE RIGHT.

IN ALL CASES, CERTIFYING ENGINEER AND CERT OF AUTH AS LISTED ON STAMP

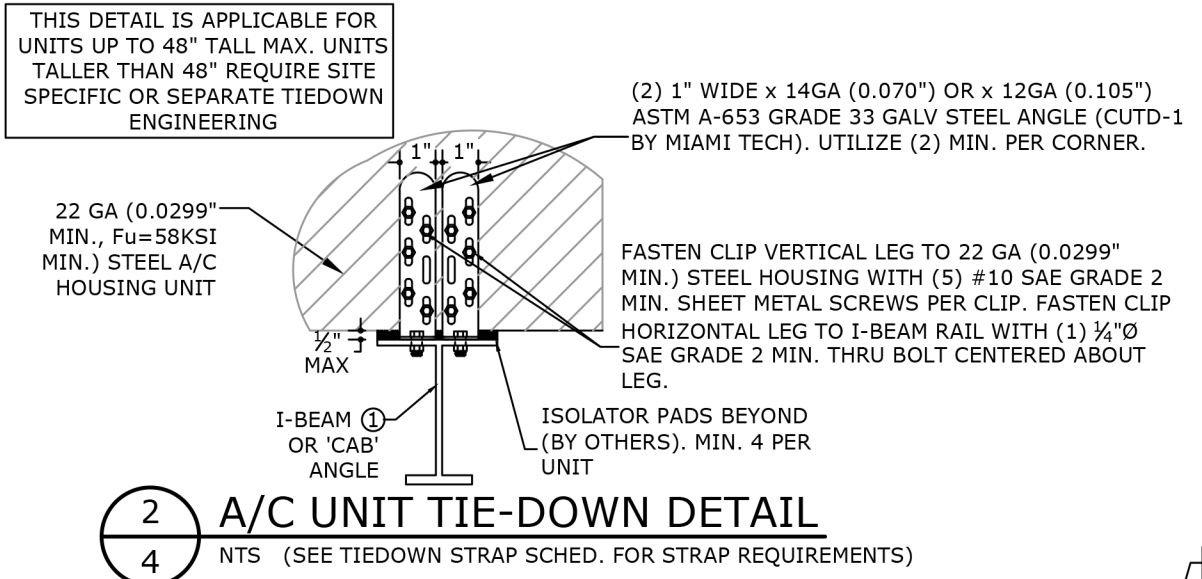
MARCH 11, 2024

PE SEAL REQUIRED

COPIES NOT VALID FOR PERMIT



1 FRAME ASSEMBLY DETAIL
4 NTS



2 A/C UNIT TIE-DOWN DETAIL
4 NTS (SEE TIEDOWN STRAP SCHED. FOR STRAP REQUIREMENTS)

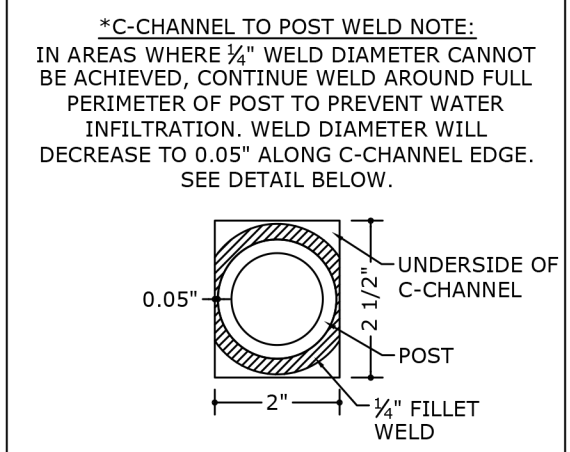
NOTE: UNIT TIEDOWN DETAILS MAY ALSO BE USED TO ANCHOR THE UNIT TO THE SUPPORT ANGLE SHOWN ON NEXT SHEET. (I.E. I-BEAM CAN BE SUBSTITUTED WITH ANGLE SUPPORT AS BASE MATERIAL)

TIEDOWN STRAP SCHEDULE

MAX UNIT HEIGHT (in)	MIN UNIT DEPTH (in)	MAX LATERAL PRESSURE (psf)	NO. OF STRAPS REQUIRED (PER UNIT)
UP TO 24	12-19	UP TO 80	0
		UP TO 120	0
		UP TO 200	2
	20	UP TO 80	0
UP TO 30	12-19	UP TO 120	0
		UP TO 200	0
		UP TO 200	0
	20	UP TO 80	0
		UP TO 120	0
		UP TO 200	0
UP TO 36	12-19	UP TO 80	0
		UP TO 120	2
		UP TO 200	2
	20	UP TO 80	0
		UP TO 120	0
		UP TO 200	0
UP TO 40	14-23	UP TO 80	0
		UP TO 120	2
		UP TO 200	3
	24	UP TO 80	0
		UP TO 120	2
		UP TO 200	3
UP TO 48	16-23	UP TO 80	3
		UP TO 120	4
		UP TO 200	5
	24	UP TO 80	0
		UP TO 120	2
		UP TO 200	4
UP TO 54	16-23	UP TO 80	4
		UP TO 120	5
		UP TO 200	6
	24	UP TO 80	2
		UP TO 120	3
		UP TO 200	5

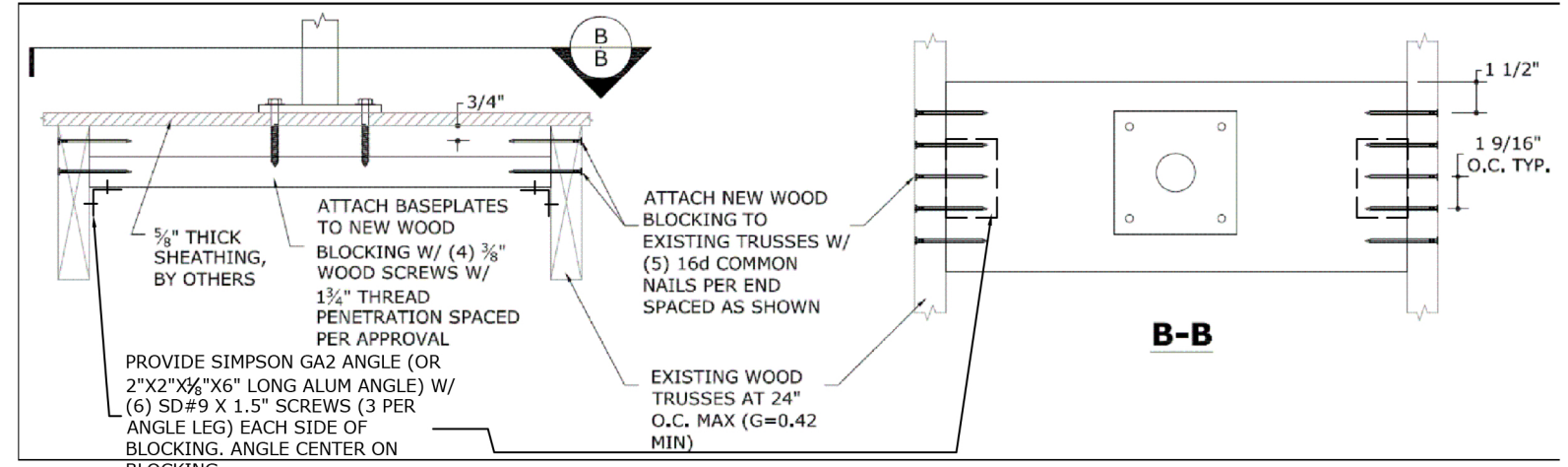
TIEDOWN SCHEDULE NOTES:

- THE TIEDOWN CLIP AND STRAP REQUIREMENTS ON THIS SHEET DO NOT ACCOUNT FOR INTEGRATED FEET OR RAILS ON THE MECHANICAL UNITS. IF INTEGRATED TIEDOWN FEET OR RAILS EXIST ON THE UNIT, SEPARATE ENGINEERING IS REQUIRED.
- THE TIEDOWN REQUIREMENTS ON THIS SHEET ACCOUNT FOR RECTANGULAR SHAPED UNITS ONLY. CIRCULAR OR OTHER SHAPED MECHANICAL EQUIPMENT (FANS, DUCTWORK, PIPES, ETC.) SHALL BE CERTIFIED SEPARATELY.



3 TIE-DOWN STRAP DETAIL**
4 NTS

*SHALL BE USED IN COMBINATION WITH ANY A/C UNIT TIE-DOWN DETAIL ON THIS SHEET



4 ALT. BASEPLATE TO WOOD TRUSS ATTACHMENT (2X10 WOOD BLOCKING)
4 NTS

SCALE: NTS WOOD (G=0.55 MIN.)

DIGITAL SEAL NOTICE:
IF THIS DOCUMENT IS DIGITALLY SIGNED, THIS SHEET IS PART OF A DIGITALLY SIGNED FILE. IT SHALL REMAIN IN DIGITAL FORMAT, SHALL BE VERIFIED BY ELECTRONIC MEANS, & PRINTED COPIES OF THIS DOCUMENT ARE NOT CONSIDERED SIGNED AND SEALED.

PRINTED DOCUMENT NOTICE:
IF THIS DOCUMENT IS PRINTED & DOES NOT CONTAIN AN ENGINEER'S ORIGINAL SIGNATURE & SEAL, THIS DOCUMENT IS VOID & NOT VALID FOR USE. PHOTOCOPIES ARE NOT PERMITTED FOR USE.

VALID FOR 1 PERMIT ONLY U.N.O.

ENGINEERING EXPRESS

POSTAL ADDRESS:
2234 NORTH FEDERAL HWY #7664
BOCA RATON, FL 33431
ENGINEERINGEXPRESS.COM

Miami Tech, Inc.
3611 NW 74th St
Miami, FL 33147
(305) 693-7054

"AST" Stand for Mechanical Units
Performance Evaluation
Florida Building Code

REMARKS	DATE	DRWN	CHKD
INIT ISSUE	2/10/2024	RN	RN

THIS DOCUMENT IS THE PROPERTY OF ENGINEERING EXPRESS AND SHALL NOT BE REPRODUCED IN WHOLE OR PART WITHOUT WRITTEN CONSENT OF ENGINEERING EXPRESS. ALTERATIONS, ADDITIONS, OR OTHER MARKINGS TO THIS DOCUMENT ARE NOT PERMITTED AND INVALIDATE OUR CERTIFICATION.

COPYRIGHT ENGINEERING EXPRESS®
23-61601

SCALE: NTS UNLESS NOTED

RICHARD NEET, P.E.
PE# 86488 CA# 9885

SPACE RESERVED FOR DIGITAL SEAL INFORMATION

WHEN DIGITALLY SEALED, THIS NOTE SHALL BE FULLY COVERED ON SHEET 1

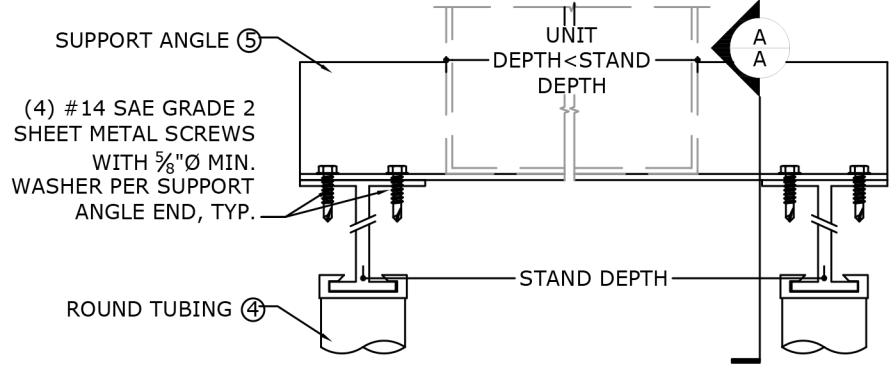
WHEN PRINTED OR PHYSICALLY SEALED, SEAL OF CERTIFYING ENGINEER, AND DATE OF CERTIFICATION SHALL BE SHOWN TO THE RIGHT.

IN ALL CASES, CERTIFYING ENGINEER AND CERT OF AUTH AS LISTED ON STAMP

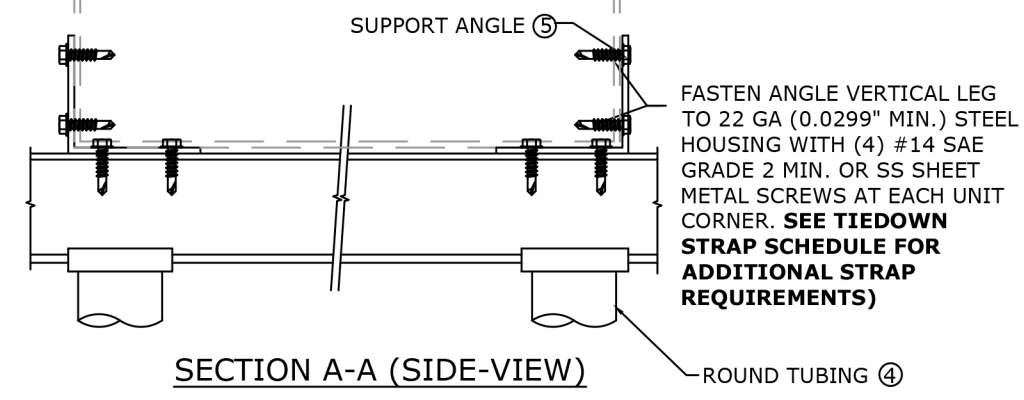
MARCH 11, 2024

PE SEAL REQUIRED

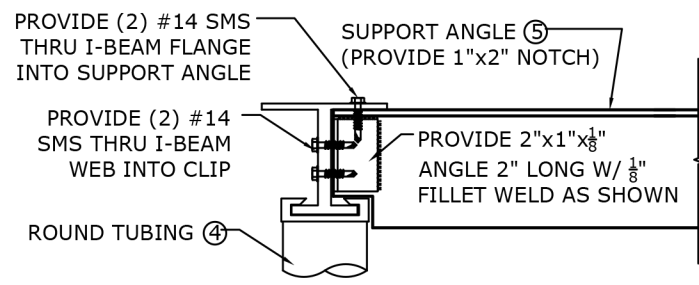
COPIES NOT VALID FOR PERMIT



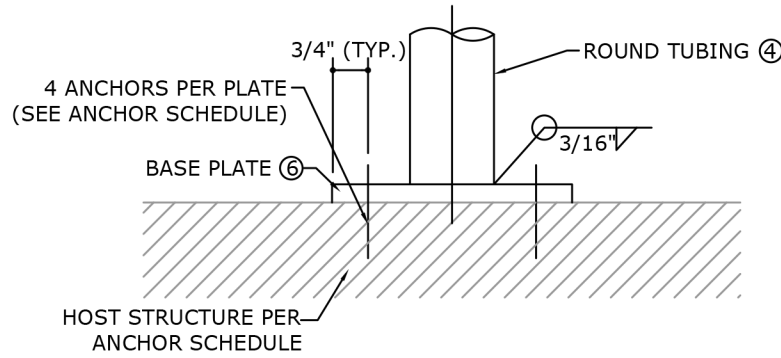
1A
5 NTS
SUPPORT ANGLE ATTACHMENT DETAIL



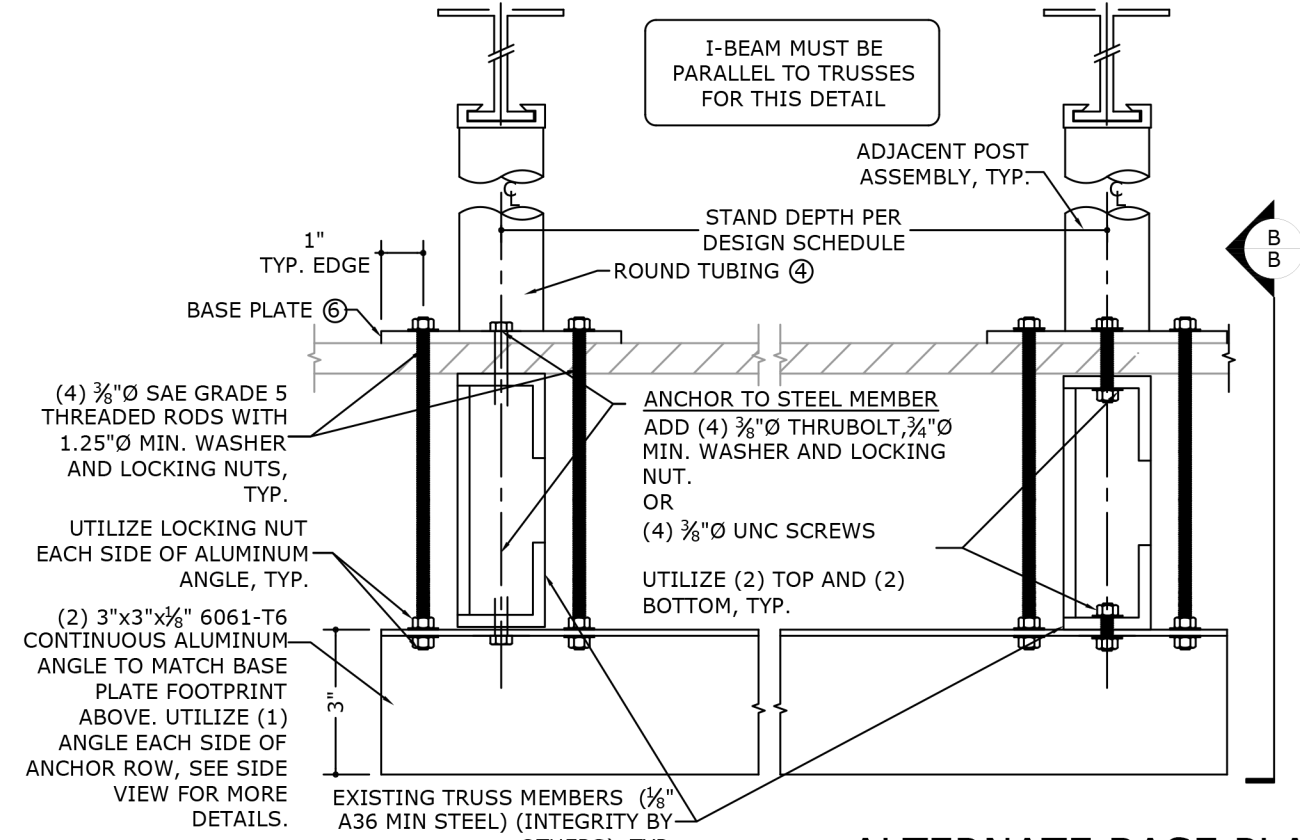
3
5 NTS
STANDARD BASE PLATE ATTACHMENT DETAIL



1B
5 NTS
SUPPORT ANGLE ATTACHMENT DETAIL



4
5 NTS
ALTERNATE BASE PLATE ATTACHMENT AT STEEL TRUSS MEMBERS

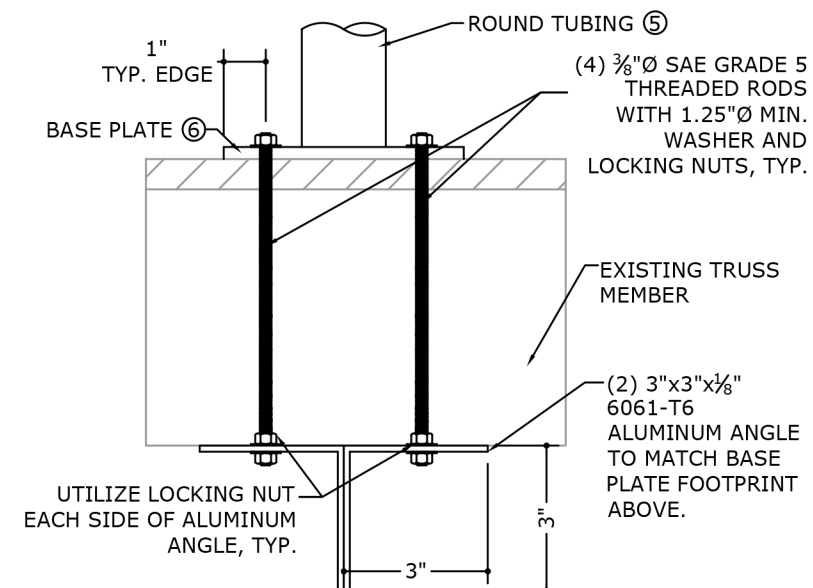


ANCHOR SCHEDULE

ANCHOR TYPE	HOST STRUCTURE	ANCHOR DESCRIPTION
1	STEEL	3/8"Ø SAE GRADE 5 SHEET METAL SCREWS WITH 1"Ø MIN. WASHER, TO STRUCTURAL A36 STEEL MEMBERS (3/16" MIN HOST THICKNESS)
2A	CONCRETE (3.0 KSI MIN)	3/8"Ø DEWALT CARBON STEEL SCREW-BOLT CONCRETE ANCHOR WITH 1"Ø MIN. WASHER, 2-1/2" EMBEDMENT & 6" MIN EDGE DISTANCE, SEE BASE PLATE COMPONENT #6 (ON SHEET 2) FOR TYPICAL ANCHOR SPACING.
2B	CONCRETE (5.0 KSI MIN)	1/2"Ø DEWALT MINI-DROPIN ANCHOR WITH 1.0" EMBEDMENT & 6" MIN EDGE DISTANCE, SEE BASE PLATE COMPONENT #6 (ON SHEET 2) FOR TYPICAL ANCHOR SPACING. NOTE: MAX ALLOWABLE PRESSURES LISTED IN THE STAND DESIGN SCHEDULE SHALL BE MULTIPLIED BY 0.8 WHEN USING THIS ANCHOR OPTION
3	WOOD*	*SEE DETAIL 4/4 OR SITE SPECIFIC ENGINEERING IS REQUIRED
4	STEEL	3/8"Ø SAE GRADE 5 THRU-BOLT WITH 1"Ø MIN. WASHER & NUT, TO STRUCTURAL A36 STEEL MEMBERS (3/16" MIN HOST THICKNESS)

ANCHOR NOTES:

- ANCHORS SHALL BE INSTALLED IN ACCORDANCE WITH MANUFACTURERS' RECOMMENDATIONS.
- ENSURE MINIMUM EDGE DISTANCE AS NOTED IN ANCHOR SCHEDULE FOR EACH ANCHOR.
- WOOD HOST STRUCTURE SHALL BE "SOUTHERN PINE" G=0.55 OR GREATER DENSITY. ALL CONCRETE SUBSTRATE SHALL BE UN-CRACKED CONCRETE AND SHALL HAVE MINIMUM COMPRESSIVE STRENGTH OF 3000 PSI, U.N.O. CONCRETE SUBSTRATE THICKNESS SHALL BE GREATER THAN OR EQUAL TO 1.5xANCHOR EMBEDMENT. INSTALL CONCRETE ANCHORS TO UN-CRACKED CONCRETE ONLY.
- MINIMUM EMBEDMENT SHALL BE AS NOTED IN ANCHOR SCHEDULE. MINIMUM EMBEDMENT AND EDGE DISTANCE EXCLUDES ROOFING FINISHES.
- WHERE EXISTING STRUCTURE IS WOOD TRUSSES, EXISTING CONDITIONS MAY VARY. FIELD VERIFY THAT FASTENERS ARE INTO ADEQUATE WOOD TRUSS MEMBERS, NOT INTO PLYWOOD.



SECTION B-B (SIDE-VIEW)

DIGITAL SEAL NOTICE:
IF THIS DOCUMENT IS DIGITALLY SIGNED, THIS SHEET IS PART OF A DIGITALLY SIGNED FILE. IT SHALL REMAIN IN DIGITAL FORMAT, SHALL BE VERIFIED BY ELECTRONIC MEANS, & PRINTED COPIES OF THIS DOCUMENT ARE NOT CONSIDERED SIGNED AND SEALED.

PRINTED DOCUMENT NOTICE:
IF THIS DOCUMENT IS PRINTED & DOES NOT CONTAIN AN ENGINEER'S ORIGINAL SIGNATURE & SEAL, THIS DOCUMENT IS VOID & NOT VALID FOR USE. PHOTOCOPIES ARE NOT PERMITTED FOR USE.

VALID FOR 1 PERMIT ONLY U.N.O.

ENGINEERING EXPRESS

POSTAL ADDRESS:
2234 NORTH FEDERAL HWY #7664
BOCA RATON, FL 33431
ENGINEERINGEXPRESS.COM

Miami Tech, Inc.
3611 NW 74th St
Miami, FL 33147
(305) 693-7054

"AST" Stand for Mechanical Units
Performance Evaluation
Florida Building Code

REMARKS	DATE	DRWN	CHKD
INIT ISSUE	2/10/2024	RN	RN

THIS DOCUMENT IS THE PROPERTY OF ENGINEERING EXPRESS AND SHALL NOT BE REPRODUCED IN WHOLE OR PART WITHOUT WRITTEN CONSENT OF ENGINEERING EXPRESS. ALTERATIONS, ADDITIONS, OR OTHER MARKINGS TO THIS DOCUMENT ARE NOT PERMITTED AND INVALIDATE OUR CERTIFICATION.

23-61601

SCALE: NTS UNLESS NOTED