

THIS DOCUMENT CONTAINS (7) PAGES: THE FIRST PAGE MUST BEAR AN ORIGINAL SIGNATURE & SEAL OF THE CERTIFYING PE TO BE VALID FOR USE

(Issued June 9, 2020 Subject to Renew June 1, 2021)
 (or next code cycle change)

EVALUATION SUBJECT: SURE COMFORT - MAINLINE UNITS

TER-19-16867

REPORT HOLDER:

RHEEM SALES COMPANY, INC.
 1100 ABERNATHY ROAD, SUITE 1700
 ATLANTA, GA 30328, USA
 (770) 351-3000 | RHEEM.COM



SCOPE OF EVALUATION (compliance with the following codes):

THIS IS A STRUCTURAL (WIND) PERFORMANCE EVALUATION ONLY. NO ELECTRICAL OR OTHER PERFORMANCE RATINGS OR CERTIFICATIONS ARE OFFERED OR IMPLIED HEREIN.

This Product Evaluation Report is being issued in accordance with the requirements of the **International Building Code (2012, 2015, & 2018)** and the **Florida Building Code Sixth Edition (2017)** per FBC Section 104.11.1, FMC 301.15, FBC Building Ch. 16, ASCE-7-10, ASCE-7-16, FBC Existing Building sections 707.1, 707.2, FBC Building 1522.2, and FBC Residential M1202.1, M1301.1, FS 471.025, including Broward County Administrative Provisions 107.3.4. The product noted on this report has been tested and/or evaluated as summarized herein.

IN ACCORDANCE WITH THESE CODES EACH OF THESE REPORTS MUST BEAR THE ORIGINAL SIGNATURE & RAISED SEAL OF THE EVALUATING ENGINEER.

SUBSTANTIATING DATA:

Product Evaluation Documents

Substantiating documentation has been submitted to provide this TER and is summarized in the sections below.

Test Reports

Unit cabinetry has been tested in accordance with the maximum design pressures listed herein, per test report 0316.01-20 by American Test Lab of South Florida.

INSTALLATION:

The product(s) listed above shall be installed in strict compliance with this TER & manufacturer-provided model specifications.

The product components shall be of the material specified in the manufacturer-provided product specifications. All fasteners must be installed in accordance with the applicable provisions & anchor manufacturer's published installation instructions.

U.N.O., the following notes apply: All sheet metal screws used to fasten clips to mechanical units shall be #10 (14 minimum threads per inch) SS316 steel or equivalent only. Bolts used to fasten aluminum angles to supporting frame (by others) shall be 316 stainless steel, SAE grade 5, or equivalent and shall utilize washers and nuts as required. Provide (3) pitches minimum past the thread plane for sheet metal screws. All fasteners shall have appropriate corrosion protection to prevent electrolysis. All fastener connections to aluminum shall provide 2x diameter edge distance. Aluminum angles specified herein shall be 6061-T6 aluminum.

LIMITATIONS & CONDITIONS OF USE:

Use of this product shall be in strict accordance with this TER as noted herein.

See final page for complete limitations and conditions of use.

OPTIONS:

This evaluation is valid for all unit sizes that conform to the dimension and weight limitations stated herein.

FINISH:

Baked enamel, color casing gray.

TERMINOLOGY:

See final page for full listing of abbreviations used in this report and their meaning.

Florida Building Code Sixth Edition (2017)
 International Building Codes (2012, 2015, & 2018)



NOTE: THE GRAPHICAL DEPICTIONS IN THIS REPORT ARE FOR ILLUSTRATIVE PURPOSES ONLY AND MAY DIFFER IN APPEARANCE.

UNIT MATERIAL:

ASTM A653 galvanized sheet steel. See manufacturer for detailed component specifications.

STRUCTURAL PERFORMANCE:

Models referenced herein are subject to the following design limitations:

Maximum Rated Wind Pressure*:
150 psf Lateral (ASD)
100 psf Uplift (ASD)

Required design pressures shall be determined on a site-specific basis in accordance with the following directive:

- FBC2017, IBC2012, IBC2015: ASCE 7-10 and applicable sections of the building code being referenced;
- IBC2018: ASCE 7-16 and applicable sections of the building code being referenced;

The required design pressures shall be less than or equal to the maximum pressures listed herein.

*Maximum Rated Wind Pressures indicate the maximum pressures that all units listed herein are approved for. Valid for at-grade and rooftop applications. See limitations herein.

VISIT ECALC.IO/1916867

FOR ENGINEER CERTIFIED ORIGINALS & MORE INFORMATION ABOUT THIS DOCUMENT OR SCAN THE QR CODE TO THE RIGHT >

VISIT ENGINEERINGEXPRESS.COM/STORE FOR ADDITIONAL PLANS, REPORTS & RESOURCES



ORIGINAL SIGNATURE AND RAISED SEAL OR DIGITAL SEAL REQUIRED TO BE VALID PER CODE:

PE SEAL REQUIRED
COPIES NOT VALID FOR PERMIT

Frank Bennardo, P.E., SECB If Checked, Certifying Engineer and PE #
 Engineering Express® If Checked, Certifying Engineer and PE #
 FL PE #0046549 FLCA #9885 If Checked, Certifying Engineer and PE #
 Appear Above

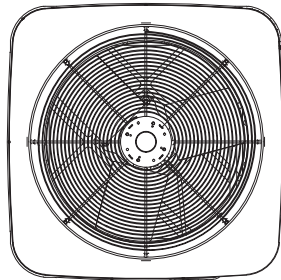
NOTICE: IF THIS PAGE DOES NOT CONTAIN AN ORIGINAL SIGNATURE & ENGINEER SEAL: IF THERE IS A DIGITAL SIGNATURE ON PAGE 1, THIS DOCUMENT IS PART OF A DIGITALLY SIGNED FILE, SHALL REMAIN IN DIGITAL FORMAT & PRINTED COPIES OF THIS DOCUMENT ARE NOT CONSIDERED SIGNED AND SEALED. IF THERE IS NO DIGITAL SIGNATURE ON PAGE 1 OR THIS PAGE DOES NOT CONTAIN AN ENGINEER'S ORIGINAL SIGNATURE & SEAL, THIS DOCUMENT IS A COPY/DRAFT.

Copyright © Engineering Express® All Rights Reserved

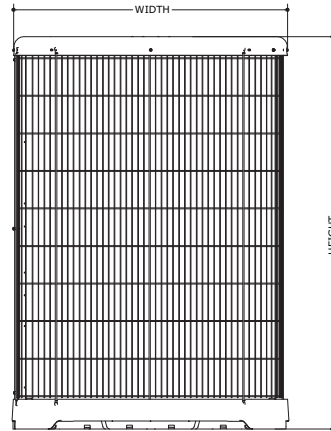
SECTION 1: GRILLED CABINETRY UNITS

UNIT DIMENSIONS

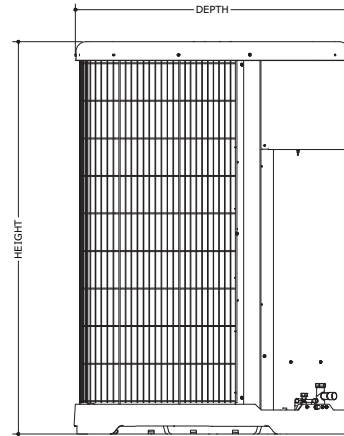
SCALE: NTS



TOP VIEW



FRONT VIEW



SIDE VIEW

1 EYE BOLT
SCALE: NTS FRONT VIEW
1/4"-20 SAE GR. 5 OR 316 SS EYE BOLT WITH NUT AND WASHER TOP AND BOTTOM, TYP.
ALUM OR STEEL MEMBER. SEE DETAILS HEREIN.

2 TIE-DOWN CABLE
SCALE: NTS FRONT VIEW
3/16" Ø, 7x19 VINYL COATED WIRE ROPE.
NOTE: SUGGESTED LENGTH FOR EACH TIE-DOWN CABLE IS 150" LONG, BUT MAY VARY AS NEEDED. TIGHTEN TO 75 LB TENSION.

3 CONCRETE ANCHOR
SCALE: NTS FRONT VIEW
1/4" Ø DEWALT TIE WIRE POWER-STUD + SD1 CARBON STEEL WEDGE EXPANSION ANCHOR.
PROVIDE 1-1/2" EMBEDMENT AND 5" MIN. EDGE DISTANCE, TYP.

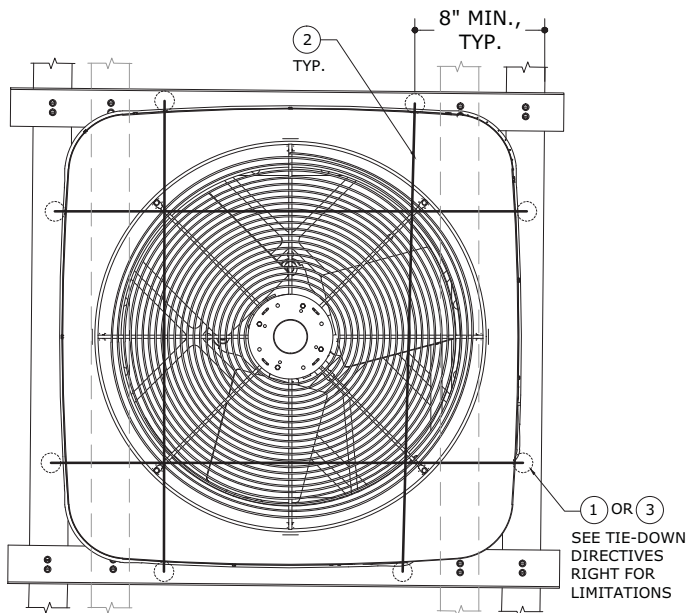
ANCHOR LAYOUT

SCALE: NTS TOP VIEW

FOR FRAME CONSTRUCTION DETAILS, SEE SECTION 3

NOTE: ANCHOR LAYOUT AND TIE-DOWN DIRECTIVE ON THIS PAGE IS VALID FOR:
- ALL GRILLED CABINETRY-DESIGNATED UNITS AS DESCRIBED IN SECTION 4.
- BOTH AT-GRADE AND ROOFTOP INSTALLATIONS
- ALL SUBSTRATES LISTED HEREIN.
- STANDS INSTALLED AT-GRADE IF DESIRED.

MIAMI TECH TIE-DOWN KIT NUMBERS:
SLAB MOUNT: KIT # SCMLTDCKG
ROOF STAND:KIT # SCMLTDCKR



NOTE: ATTACHMENT TO ROOFTOP STAND SHOWN. SEE TIE-DOWN DIRECTIVE RIGHT FOR ATTACHMENT TO CONCRETE SLAB.

TIE-DOWN DIRECTIVE: AT-GRADE SLAB

- INSTALL (8) 1/4" Ø DEWALT TIE WIRE POWER-STUD + SD1 CARBON STEEL WEDGE EXPANSION ANCHORS, (2) PER SIDE, WITH 1-1/2" EMBEDMENT AND 5" EDGE DISTANCE, TYP., AT CIRCLED LOCATIONS IN ANCHOR LAYOUT DIAGRAM SHOWN LEFT. NOTE: ANCHOR LOCATIONS MAY VARY UP TO 3" EITHER DIRECTION FOR EASE OF INSTALLATION.
- SAME CABLE TIE-DOWN DIRECTIVE AS FOR ROOF STAND, SHOWN BELOW.

TIE-DOWN DIRECTIVE: ROOF STAND

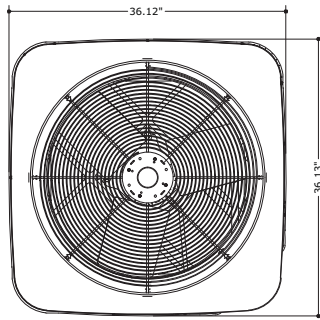
- INSTALL (8) EYE BOLTS, (2) PER SIDE, AT CIRCLED LOCATIONS IN ANCHOR LAYOUT DIAGRAM SHOWN LEFT. NOTE: EYE BOLT LOCATIONS MAY VARY UP TO 3" EITHER DIRECTION FOR EASE OF INSTALLATION. ENSURE 1/2" EDGE DISTANCE IS PROVIDED FROM EDGE OF ANY ALUMINUM OR STEEL MEMBER.
- (4) LENGTHS OF TIE-DOWN CABLES SHALL BE INSTALLED USING THE (8) EYEBOLTS IN THE CONFIGURATION SHOWN IN THE ANCHOR LAYOUT DIAGRAM LEFT PER THE FOLLOWING INSTRUCTIONS:
 - ATTACH CABLE ENDS TO (4) EYE BOLTS ((2) PER ADJACENT SIDE). ATTACHMENTS MAY USE HOOKS OR CARABINER CLIPS RATED TO 600 LB MIN.
 - WRAP CABLES OVER TOP OF UNIT AND ATTACH TO EYE BOLTS ON OPPOSITE SIDE. TIGHTEN TURNBUCKLE TO 75 LB CABLE TENSION.

IN ALL CONDITIONS IT IS THE RESPONSIBILITY OF THE PERMIT HOLDER TO ENSURE THE HOST STRUCTURE IS CAPABLE OF WITHSTANDING THE RATED GRAVITY, LATERAL, AND UPLIFT FORCES BY SITE-SPECIFIC DESIGN. NO WARRANTY OF ANY KIND, EXPRESSED OR IMPLIED, IS OFFERED BY ENGINEERING EXPRESS AS TO THE INTEGRITY OF THE HOST STRUCTURE TO CARRY DESIGN FORCE LOADS INCURRED BY THIS UNIT.

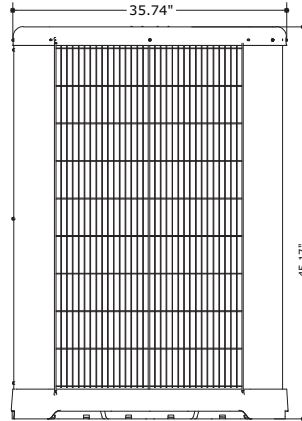
SECTION 2: CORNER POST UNITS

UNIT DIMENSIONS

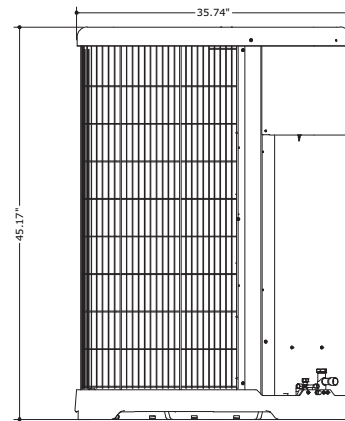
SCALE: NOT TO SCALE (NTS)



TOP VIEW



FRONT VIEW

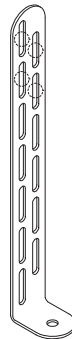


SIDE VIEW

MIAMI TECH TIE-DOWN CLIP

3 SCALE: NTS ISOMETRIC VIEW

1" WIDE, 10" TALL, AND .07" THICK GALVANIZED STEEL TIE-DOWN CLIP. FASTEN CLIP TO HOST STRUCTURE BY OTHERS WITH (1) ANCHOR PER ANCHOR TO HOST STRUCTURE SCHEDULE ON THIS PAGE. FASTEN CLIP TO UNIT WITH (4) #10 SS SELF-TAPPING SCREWS WITH .395" Ø WASHER, UTILIZING 1 SCREW PER SLOT FOR THE (4) UPPERMOST SLOTS (SEE CIRCLED SLOTS RIGHT).

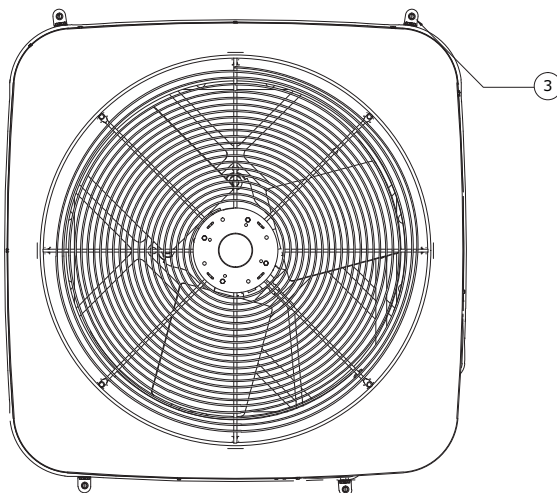


NOTE: TIE-DOWN DETAILS LISTED ON THIS PAGE APPLY TO AT-GRADE AND ROOFTOP INSTALLATIONS. SEE SUBSTRATE LIMITATIONS HEREIN. FOR ATTACHMENT TO ROOF STAND, SEE DETAILS IN SECTION 3 ON THE FOLLOWING PAGE.

MIAMI TECH TIE-DOWN KIT NUMBERS:
SLAB MOUNT: KIT # SCMLCUTD10KG
ROOF STAND:KIT # SCMLCUTD10KR

TIE-DOWN CLIP LAYOUT

SCALE: NTS TOP VIEW



TIE-DOWN CLIP LAYOUT DIRECTIVE

(4) MIAMI-TECH TIE-DOWN CLIPS AS SHOWN ON THIS PAGE SHALL BE USED TO TIE DOWN THE CORNER POST-DESIGNATED UNITS. TIE-DOWN CLIPS SHALL BE DISTRIBUTED AS FOLLOWS: (2) TIE-DOWN CLIPS ON ONE SIDE, AND (2) TIE-DOWN CLIPS ON THE OPPOSITE SIDE. (1) TIE-DOWN CLIP PER CORNER POST. EACH TIE-DOWN CLIP SHALL MAKE FLUSH CONTACT WITH STEEL CORNER POST. FASTEN EACH CLIP TO UNIT WITH (4) #10 SS SELF-TAPPING SCREWS WITH .395" Ø WASHER, UTILIZING 1 SCREW PER SLOT FOR THE (4) UPPERMOST SLOTS (SEE CIRCLED SLOTS RIGHT).

NOTE: EITHER PAIR OF OPPOSITE SIDES MAY BE USED (FRONT AND BACK SIDES OR LEFT AND RIGHT SIDES).

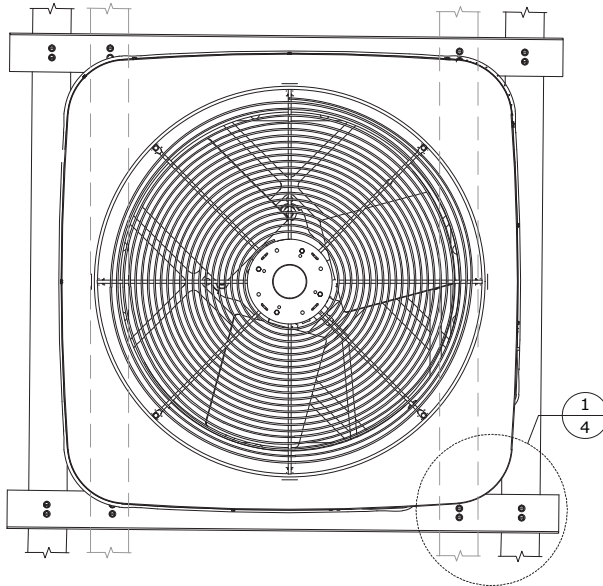
ANCHOR TO HOST STRUCTURE SCHEDULE

ANCHOR TYPE		
3000 psi MIN. CONCRETE	1/8" MIN. THICK ASTM A36 OR STRONGER STEEL	1/8" MIN. THICK 6061-T6 ALUMINUM
A	B	B

A - 1/4" Ø SS ULTRACON OR EQUIVALENT WITH 1-3/4" EMBEDMENT AND 2-1/2" MIN. EDGE DISTANCE, TYP.

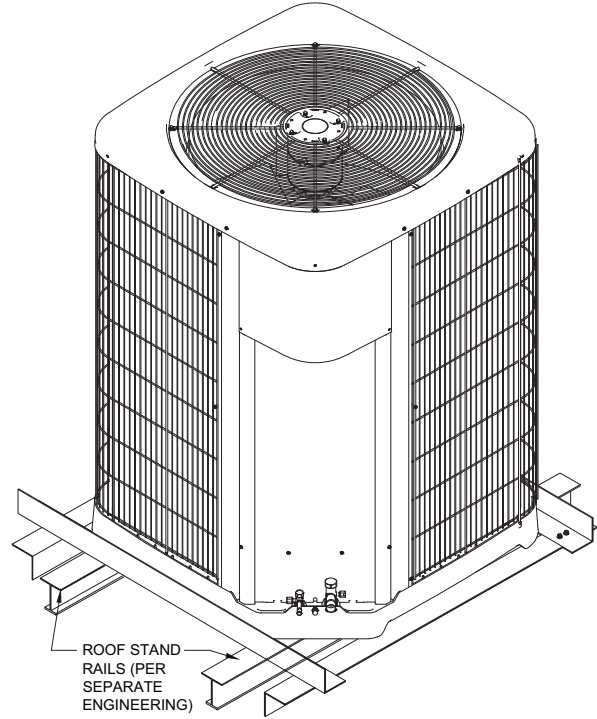
B - 1/2" Ø SS THRU BOLT OR EQUIVALENT WITH 1/16" HEX HEAD, 1/16" NYLON LOCK NUT, AND 1" Ø WASHERS TOP AND BOTTOM, TYP.

SECTION 3: ROOF STAND CONSTRUCTION



NOTE: UNIT SHALL SIT FLUSH ON EXISTING STAND RAILS

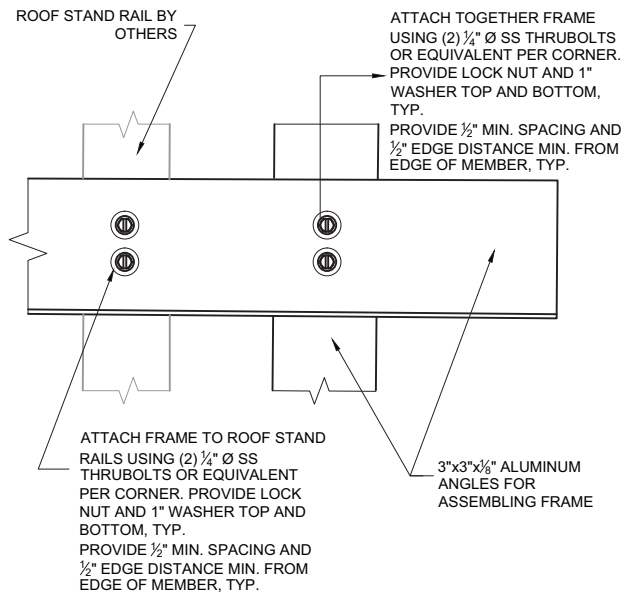
NOTE: ALL DETAILS ON THIS PAGE ARE VALID FOR BOTH GRILLED CABINETRY AND CORNER POST CABINET SHELLS.



SAMPLE UNIT MOUNT ON ROOF STAND/FRAME.

NOTE: TIE-DOWNS ARE NOT SHOWN FOR CLARITY; UNIT SHALL FOLLOW TIE-DOWN DIRECTIVES AS SPECIFIED HEREIN.

1/4 FRAME TYPICAL CONNECTIONS SCALE: NTS PLAN VIEW



SECTION 4: UNIT DIMENSIONS AND CABINETRY DESIGNATIONS

Model Number	Weight (lbs)	Length (in)	Width (in)	Height (in)	Cabinet Shell
MLA1318AJ1NA	127	30.13	30.13	27.17	Grilled Cabinetry
MLA1460BJ1NA	296	36.13	36.13	51.17	Grilled Cabinetry
MLA1660AJ1NA	296	36.13	36.13	51.17	Grilled Cabinetry
MLA1660AJ1NB	296	36.13	36.13	51.17	Grilled Cabinetry
MLA1336AJ1NA	164	30.13	30.13	27.17	Grilled Cabinetry
MLA1342AJ1NA	195	30.13	30.13	31.17	Grilled Cabinetry
MLA1348AJ1NA	202	34.13	34.13	27.17	Grilled Cabinetry
MLA1360AC1NB	235	36.13	36.13	31.17	Grilled Cabinetry
MLA1360AJ1NA	235	36.13	36.13	31.17	Grilled Cabinetry
MLA1360AJ1NB	235	36.13	36.13	31.17	Grilled Cabinetry
MLA1748AJ2NB	297	36.13	36.13	51.17	Grilled Cabinetry
MLA1418WJ1NA	152	30.13	30.13	27.17	Grilled Cabinetry
MLA1760AJ2NB	298	36.13	36.13	51.17	Grilled Cabinetry
SA1460BC1NB	296	36.13	36.13	51.17	Grilled Cabinetry
MLA1424XJ1NA	170	34.13	34.13	27.17	Grilled Cabinetry
MLA1430AJ1NA	158	30.13	30.13	27.17	Grilled Cabinetry
MLA1430WJ1NA	167	30.13	30.13	31.17	Grilled Cabinetry
MLA1430XJ1NA	195	36.13	36.13	27.17	Grilled Cabinetry
MLA1436AJ1NA	178	34.13	34.13	27.17	Grilled Cabinetry
MLA1436WJ1NA	187	34.13	34.13	31.17	Grilled Cabinetry
MLA1442CJ1NA	207	34.13	34.13	35.17	Grilled Cabinetry
MLA1442WJ1NA	207	34.13	34.13	35.17	Grilled Cabinetry
MLA1442XJ1NA	253	36.13	36.13	39.17	Grilled Cabinetry
MLA1448AC1NB	232	36.13	36.13	31.17	Grilled Cabinetry
MLA1448AJ1NA	232	36.13	36.13	31.17	Grilled Cabinetry
MLA1460AC1NB	247	36.13	36.13	35.17	Grilled Cabinetry
MLA1460AD1NB	247	36.13	36.13	35.17	Grilled Cabinetry
MLA1460AJ1NA	247	36.13	36.13	35.17	Grilled Cabinetry
SA1460BJ1NA	296	36.13	36.13	51.17	Grilled Cabinetry
MLA1460CD1NB	268	36.13	36.13	45.17	Grilled Cabinetry
MLA1460CJ1NA	268	36.13	36.13	45.17	Grilled Cabinetry
MLA1618AJ1NA	155	30.13	30.13	27.17	Grilled Cabinetry
MLA1624AJ1NA	170	34.13	34.13	27.17	Grilled Cabinetry
MLA1630AJ1NA	195	36.13	36.13	27.17	Grilled Cabinetry
MLA1636AJ1NA	204	36.13	36.13	31.17	Grilled Cabinetry
MLA1642AJ1NA	253	36.13	36.13	39.17	Grilled Cabinetry
MLA1648AJ1NA	268	36.13	36.13	45.17	Grilled Cabinetry
SA1660AJ1NA	296	36.13	36.13	51.17	Grilled Cabinetry
SA1748AJ2NA	297	36.13	36.13	51.17	Grilled Cabinetry
MLA1724AJ2NB	200	34.13	34.13	35.17	Grilled Cabinetry
MLA1736AJ2NB	209	34.13	34.13	51.17	Grilled Cabinetry
SA1748AJ2NB	297	36.13	36.13	51.17	Grilled Cabinetry
SA1760AJ2NA	298	36.13	36.13	51.17	Grilled Cabinetry
SA1760AJ2NB	298	36.13	36.13	51.17	Grilled Cabinetry
MLA1324AJ1NA	142	30.13	30.13	25.17	Grilled Cabinetry
MLA1324BJ1NA	148	30.13	30.13	25.17	Grilled Cabinetry
MLA1330AJ1NA	163	30.13	30.13	25.17	Grilled Cabinetry
MLP1430FJ1NA	198	34.13	34.13	31.17	Grilled Cabinetry
MLP1436AJ1NA	214	34.13	34.13	27.17	Grilled Cabinetry
MLP1436FJ1NA	206	34.13	34.13	35.17	Grilled Cabinetry
MLP1442AJ1NA	208	34.13	34.13	27.17	Grilled Cabinetry
MLP1442FJ1NA	228	34.13	34.13	35.17	Grilled Cabinetry
MLP1448AJ1NA	234	34.13	34.13	35.17	Grilled Cabinetry
MLP1448FJ1NA	264	36.13	36.13	39.17	Grilled Cabinetry

SECTION 4: UNIT DIMENSIONS AND CABINERY DESIGNATIONS CONTINUED

Model Number	Weight (lbs)	Length (in)	Width (in)	Height (in)	Cabinet Shell
MLP1460AJ1NA	269	36.13	36.13	39.17	Grilled Cabinetry
MLP1460BJ1NA	285	36.13	36.13	45.17	Grilled Cabinetry
MLP1460FJ1NA	285	36.13	36.13	45.17	Grilled Cabinetry
MLA1418AJ1NA	143	30.13	30.13	25.17	Grilled Cabinetry
MLA1424BJ1NA	148	30.13	30.13	25.17	Grilled Cabinetry
MLP1530BJ1NA	198	34.13	34.13	31.17	Grilled Cabinetry
MLP1536AJ1NA	206	34.13	34.13	35.17	Grilled Cabinetry
MLP1636AJ2NA	206	34.13	34.13	35.17	Grilled Cabinetry
SA1342AJ1NA	195	30.13	30.13	31.17	Grilled Cabinetry
SA1342AJ1NB	195	30.13	30.13	31.17	Grilled Cabinetry
SA1348AC1NB	202	34.13	34.13	27.17	Grilled Cabinetry
SA1348AD1NB	202	34.13	34.13	27.17	Grilled Cabinetry
SA1348AJ1NA	202	34.13	34.13	27.17	Grilled Cabinetry
SA1360AC1NB	235	36.13	36.13	31.17	Grilled Cabinetry
SA1360AD1NB	235	36.13	36.13	31.17	Grilled Cabinetry
SA1360AJ1NA	235	36.13	36.13	31.17	Grilled Cabinetry
MLA1424WJ1NA	148	30.13	30.13	25.17	Grilled Cabinetry
MLP1418BJ1NA	156	30.13	30.13	25.17	Grilled Cabinetry
MLP1424AJ1NA	152	30.13	30.13	25.17	Grilled Cabinetry
SA1430AJ1NA	158	30.13	30.13	27.17	Grilled Cabinetry
SA1436AC1NB	178	34.13	34.13	27.17	Grilled Cabinetry
SA1436AD1NB	178	34.13	34.13	27.17	Grilled Cabinetry
SA1436AJ1NA	178	34.13	34.13	27.17	Grilled Cabinetry
SA1442AJ1NA	214	36.13	36.13	27.17	Grilled Cabinetry
SA1442CJ1NA	207	34.13	34.13	35.17	Grilled Cabinetry
SA1442XJ1NA	253	36.13	36.13	39.17	Grilled Cabinetry
SA1442XJ1NB	253	36.13	36.13	39.17	Grilled Cabinetry
SA1448AC1NB	232	36.13	36.13	31.17	Grilled Cabinetry
SA1448AD1NB	232	36.13	36.13	31.17	Grilled Cabinetry
SA1448AJ1NA	232	36.13	36.13	31.17	Grilled Cabinetry
SA1460AD1NB	247	36.13	36.13	35.17	Grilled Cabinetry
SA1460AJ1NA	247	36.13	36.13	35.17	Grilled Cabinetry
MLP1424FJ1NA	159	30.13	30.13	25.17	Grilled Cabinetry
MLP1430AJ1NA	208	30.13	30.13	25.17	Grilled Cabinetry
SA1460CC1NB	268	36.13	36.13	45.17	Grilled Cabinetry
SA1460CD1NB	268	36.13	36.13	45.17	Grilled Cabinetry
SA1460CJ1NA	268	36.13	36.13	45.17	Grilled Cabinetry
SA1618AJ1NA	155	30.13	30.13	27.17	Grilled Cabinetry
SA1618AJ1NB	155	30.13	30.13	27.17	Grilled Cabinetry
SA1624AJ1NA	170	34.13	34.13	27.17	Grilled Cabinetry
SA1624AJ1NB	170	34.13	34.13	27.17	Grilled Cabinetry
SA1630AJ1NA	195	36.13	36.13	27.17	Grilled Cabinetry
SA1636AJ1NA	204	36.13	36.13	31.17	Grilled Cabinetry
SA1636AJ1NB	204	36.13	36.13	31.17	Grilled Cabinetry
SA1642AJ1NA	253	36.13	36.13	39.17	Grilled Cabinetry
SA1648AJ1NA	268	36.13	36.13	45.17	Grilled Cabinetry
MLP1518BJ1NA	156	30.13	30.13	25.17	Grilled Cabinetry
SA1724AJ2NB	200	34.13	34.13	35.17	Corner Post
SA1736AJ2NA	209	34.13	34.13	39.17	Corner Post
SA1736AJ2NB	209	34.13	34.13	39.17	Corner Post
MLP1524BJ1NA	159	30.13	30.13	25.17	Corner Post
SA1418AJ1NA	143	30.13	30.13	25.17	Corner Post
SA1424AJ1NA	148	30.13	30.13	25.17	Corner Post
SA1424BJ1NA	148	30.13	30.13	25.17	Corner Post

SECTION 4: UNIT DIMENSIONS AND CABINERY DESIGNATIONS CONTINUED

Model Number	Weight (lbs)	Length (in)	Width (in)	Height (in)	Cabinet Shell
SP1418AJ1NA	152	30.13	30.13	25.17	Grilled Cabinetry
SP1418BJ1NA	156	30.13	30.13	25.17	Grilled Cabinetry
SP1418CJ1NA	152	30.13	30.13	25.17	Grilled Cabinetry
SP1424AJ1NA	152	30.13	30.13	25.17	Grilled Cabinetry
SP1430AJ1NA	208	30.13	30.13	25.17	Grilled Cabinetry
SP1436AC1NA	187	34.13	34.13	27.17	Grilled Cabinetry
SP1436AD1NA	187	34.13	34.13	27.17	Grilled Cabinetry
SP1436AJ1NA	214	34.13	34.13	27.17	Grilled Cabinetry
SP1442AD1NA	208	34.13	34.13	27.17	Grilled Cabinetry
SP1442FJ1NA	228	34.13	34.13	35.17	Grilled Cabinetry
SP1448AC1NA	234	34.13	34.13	35.17	Grilled Cabinetry
SP1448AD1NA	234	34.13	34.13	35.17	Grilled Cabinetry
SP1448AJ1NA	234	34.13	34.13	35.17	Grilled Cabinetry
SP1460AC1NA	269	36.13	36.13	39.17	Grilled Cabinetry
SP1460AD1NA	269	36.13	36.13	39.17	Grilled Cabinetry
SP1460AJ1NA	269	36.13	36.13	39.17	Grilled Cabinetry
SP1460BC1NA	285	36.13	36.13	45.17	Grilled Cabinetry
SP1460BJ1NA	285	36.13	36.13	45.17	Grilled Cabinetry
SP1460FC1NA	285	36.13	36.13	45.17	Grilled Cabinetry
SP1460FJ1NA	285	36.13	36.13	45.17	Grilled Cabinetry
SP1518BJ1NA	156	30.13	30.13	25.17	Grilled Cabinetry
SP1518CJ1NA	156	30.13	30.13	25.17	Grilled Cabinetry
SP1524BJ1NA	159	30.13	30.13	25.17	Grilled Cabinetry
SP1530BJ1NA	198	34.13	34.13	31.17	Grilled Cabinetry
SP1536AC1NA	206	34.13	34.13	35.17	Grilled Cabinetry
SP1536AJ1NA	206	34.13	34.13	35.17	Grilled Cabinetry
SP1542AC1NA	228	34.13	34.13	35.17	Grilled Cabinetry
SP1542AJ1NA	228	34.13	34.13	35.17	Grilled Cabinetry
SP1548AC1NA	264	36.13	36.13	39.17	Grilled Cabinetry
SP1548AJ1NA	264	36.13	36.13	39.17	Grilled Cabinetry
SP1560AC1NA	285	36.13	36.13	45.17	Grilled Cabinetry
SP1560AJ1NA	285	36.13	36.13	45.17	Grilled Cabinetry
SP1624AJ2NA	198	34.13	34.13	31.17	Corner Post
SP1636AJ2NA	206	34.13	34.13	35.17	Corner Post
SP1648AJ2NA	264	36.13	36.13	45.17	Corner Post
SP1660AJ2NA	264	36.13	36.13	45.17	Corner Post

TERMINOLOGY

THE FOLLOWING ABBREVIATIONS MAY APPEAR IN THIS REPORT: "FBC" FOR "FLORIDA BUILDING CODE", "FMC" FOR "FLORIDA MECHANICAL CODE", "MIN." FOR "MINIMUM", "MAX." FOR "MAXIMUM", "Ø" FOR "DIAMETER", "NTS" FOR "NOT TO SCALE", "SAE" FOR "SOCIETY OF AUTOMOTIVE ENGINEERING", "PE" FOR "PROFESSIONAL ENGINEER", "SECB" FOR "STRUCTURAL ENGINEERING CERTIFICATION BOARD", "FLCA" FOR "FLORIDA CERTIFICATE OF AUTHORIZATION", "INIT" FOR "INITIAL ISSUE", "A/C" FOR "AIR CONDITIONING", "INIT" FOR "INITIAL", "DRWN" FOR "DRAWN", "CHKD" FOR "CHECKED", "TER" FOR "TECHNICAL EVALUATION REPORT", "U.N.O." FOR "UNLESS NOTED OTHERWISE", "SS" FOR "STAINLESS STEEL", AND "ASCE" FOR "AMERICAN SOCIETY OF CIVIL ENGINEERS". FOR ADDITIONAL ABBREVIATION/TERMINOLOGY CLARIFICATIONS, PLEASE CONTACT THIS OFFICE.

REMARKS	DRWN	CHKD	DATE
INIT ISSUE	EPR	RWN	6/8/2020
-	-	-	-
-	-	-	-
-	-	-	-
-	-	-	-

LIMITATIONS & CONDITIONS OF USE

USE OF THIS PRODUCT SHALL BE IN STRICT ACCORDANCE WITH THIS TER AS NOTED HEREIN. THE SUPPORTING HOST STRUCTURE SHALL BE DESIGNED TO RESIST ALL SUPERIMPOSED LOADS AS DETERMINED BY OTHERS ON A SITE-SPECIFIC BASIS AS MAY BE REQUIRED BY THE AUTHORITY HAVING JURISDICTION. HOST STRUCTURE CONDITIONS WHICH ARE NOT ACCOUNTED FOR IN THIS PRODUCT'S RESPECTIVE ANCHOR SCHEDULE SHALL BE DESIGNED FOR ON A SITE-SPECIFIC BASIS BY A REGISTERED PROFESSIONAL ENGINEER. NO EVALUATION IS OFFERED FOR THE HOST SUPPORTING STRUCTURE BY USE OF THIS DOCUMENT; ADJUSTMENT FACTORS NOTED HEREIN AND THE APPLICABLE CODES MUST BE CONSIDERED, WHERE APPLICABLE. ALL SUPPORTING COMPONENTS WHICH ARE PERMANENTLY INSTALLED SHALL BE PROTECTED AGAINST CORROSION, CONTAMINATION, AND OTHER SUCH DAMAGE AT ALL TIMES. FASTENERS MUST PENETRATE THE SUPPORTING MEMBERS SUCH THAT THE FULL LENGTH OF THE THREADED PORTION IS EMBEDDED WITHIN THE MAIN MEMBER. THIS EVALUATION DOES NOT OFFER ANY EVALUATION TO MEET LARGE MISSILE IMPACT DEBRIS REQUIREMENTS WHICH TYPICALLY ARE NOT REQUIRED FOR THIS TYPE OF PRODUCT.

ALL MECHANICAL SPECIFICATIONS (CLEAR SPACE, TONNAGE, ETC.) SHALL BE AS PER MANUFACTURER.

WATER-TIGHTNESS OF EXISTING HOST SUBSTRATE SHALL BE THE FULL RESPONSIBILITY OF THE INSTALLING CONTRACTOR. CONTRACTOR SHALL ENSURE THAT ANY REMOVED OR ALTERED WATERPROOFING MEMBRANE IS RESTORED AFTER FABRICATION AND INSTALLATION OF STRUCTURE PROPOSED HEREIN. THIS ENGINEER SHALL NOT BE RESPONSIBLE FOR ANY WATERPROOFING OR LEAKAGE ISSUES WHICH MAY OCCUR AS WATER-TIGHTNESS SHALL BE THE FULL RESPONSIBILITY OF THE INSTALLING CONTRACTORS.

ALL OF THE WIND RESISTING EXTERIOR PANELS, INDIVIDUALLY MEET OR EXCEED THEIR CAPACITY TO RESIST THE DESIGN WIND LOADS AS STATED ON THE FRONT PAGE OF THIS TER AS REQUIRED BY THE FBC. DUE TO THE INDETERMINATE NATURE OF THESE UNITS, DISTORTION AND DEFLECTION CANNOT BE ACCURATELY EVALUATED, BUT WITH DIAPHRAGM ACTION OF EXTERNAL COMPONENTS AND INTERNAL STIFFENERS, THE BASE UNIT HAS THE CAPACITY TO WITHSTAND THESE FORCES WITH INDIVIDUAL EXTERNAL PARTS BEING CONTAINED. YEARLY INSPECTIONS, DURING EQUIPMENT MAINTENANCE OR AFTER NAMED STORM, ALL SCREWS, CABINET COMPONENTS, CLIPS AND ANCHOR BOLTS ARE TO BE VERIFIED BY THE A/C CONTRACTOR. ALL DAMAGED CABINET COMPONENTS, LOOSE, CORRODED, BROKEN TECH SCREWS OR ANCHOR BOLTS SHALL BE REPLACED TO ENSURE STRUCTURAL INTEGRITY FOR HURRICANE WIND FORCES.

SITE-SPECIFIC WIND ANALYSIS MAY PRODUCE ALTERNATE LIMITATIONS PROVIDED MAXIMUM RATED WIND PRESSURE IS NOT EXCEEDED.